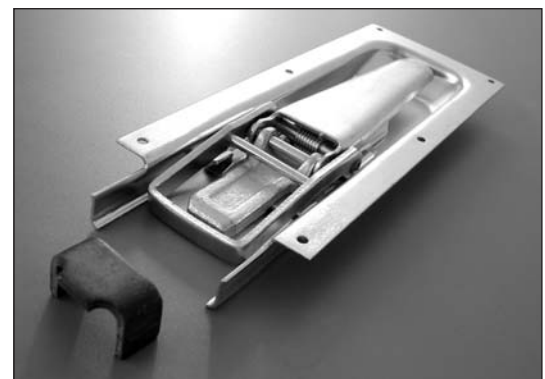


		PLANT-ON TAILBOARD CATCH							
		Spring loaded, overcentre action. Pressed steel mechanism with a forged steel tongue. Zinc plated finish. Supplied with a self colour, pressed steel keeper (refer 5484/010 below).							
	A	B	C	D	E	F	G	H	
5482/011	Catch				Weight 1kg/2.3lb				
METRIC (mm)	260	29	58	75	49	70	8.5		
IMPERIAL (ins)	10.2	1.14	2.28	2.95	1.93	2.76	0.34		



		RECESSED TAILBOARD CATCH							
		Overcentre action. Pressed steel mechanism with a forged steel tongue. Zinc plated finish. Supplied with a self colour, pressed steel keeper (refer 5484/010 below).							
	A	B	C	D	E	F	G	H	
5484/011	Catch				Weight 1.4kg/3.1lb				
METRIC (mm)	330	25.4	120	100	7.5	137	5		
IMPERIAL (ins)	13	1.00	4.72	3.94	0.30	5.39	0.20		



		KEEPER							
		Self colour, pressed mild steel. For use with tailboard catches 5482/011 & 5484/011.							
	A	B	C	D	E	F	G	H	
5484/010	keeper				Weight 70g/2.5oz				
METRIC (mm)	48	27	27	38	5	20			
IMPERIAL (ins)	1.90	1.06	1.06	1.50	0.20	0.79			



					'UNI-LOK' OVERCENTRE FASTENER								
					Adjustable spring tensioner. Zinc plated steel. Fixing via 4 x Ø6mm c'sunk screws (not supplied). NB. Dimension A is adjustable from 215 to 225mm. See below for hook details.								
					A	B	C	D	E	F	G	H	
0650/001					Weight 510g/1.1lb								
METRIC (mm)					225	32.0	42.0	46.0	10.0				
IMPERIAL (ins)					8.86	1.26	1.65	1.81	0.39				

					HOOK								
					Zinc plated steel. For use with 0650/001 fastener.								
					A	B	C	D	E	F	G	H	
0650/021					Screw on				Weight 40g/1.4oz				
0650/022					Weld on				Weight 40g/1.4oz				
METRIC (mm)					38.0	30.0	18.0	22.0	5.00	6.50			
IMPERIAL (ins)					1.50	1.18	0.71	0.87	0.20	0.26			



Left: 1103/001

Right: 1103/011

					TAILBOARD FASTENER								
					Galvanised finish.								
					A	B	C	D	E	F	G	H	
1103/001					Left hand (shown)				Weight 750g/1.7lb				
1103/002					Right hand								
METRIC (mm)					170	45	80	13.5	36	76	95	8.6	
IMPERIAL (ins)					6.69	1.77	3.15	0.53	1.42	2.99	3.74	0.34	

					KEEPER								
					Galvanised finish. For use with 1103/001 & 002.								
					A	B	C	D	E	F	G	H	
1103/011					Weight 220g/7.8oz								
METRIC (mm)					121	28	6	74	16	24	8	16	
IMPERIAL (ins)					4.76	1.10	0.24	2.91	0.63	0.95	0.32	0.63	

		A	B	C	D	E	F	G	H
9827/6200		Weight 370g/13oz							
METRIC (mm)		181	70	40	32	25	52	6.5	6.5
IMPERIAL (ins)		7.13	2.76	1.58	1.26	0.98	2.05	0.26	0.26

		A	B	C	D	E	F	G	H
9827/6201		Weight 150g/5.3oz							
METRIC (mm)		123	40	18	5	110	27	6.5	
IMPERIAL (ins)		4.84	1.58	0.71	0.20	4.33	1.06	0.26	

		A	B	C	D	E	F	G	H
9827/6203		Weight 40g/1.4oz							
METRIC (mm)		25	30	13	17	5	16		
IMPERIAL (ins)		0.98	1.18	0.51	0.67	0.20	0.63		

'SNAPFAST' TAILBOARD FASTENER

Zinc-plated pressed steel. A double spring system, which automatically locks the retainer in position when the handle is pushed down. Raising the handle releases the keeper. A choice of two keepers are available, see below.

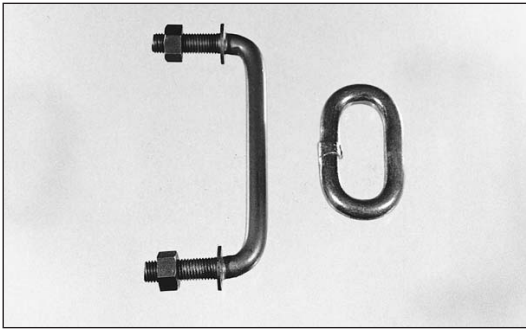


BOLT-ON KEEPER

Pressed, mild steel with a zinc-plated finish. For use with 9827/6200.

WELD-ON KEEPER

Self colour, cast iron. For use with 9827/6200.



		LOCKING BAR FASTENER (STAPLE)							
		Zinc plated steel. Supplied with two M10 nuts.							
		A	B	C	D	E	F	G	H
1078/001		Weight 150g/5.3oz							
METRIC (mm)		115	32	2	23	M10			
IMPERIAL (ins)		4.53	1.26	0.08	0.91				

		LOCKING BAR FASTENER (RING)							
		For use with 1078/001.							
		A	B	C	D	E	F	G	H
1078/002		Zinc plated		Weight 80g/2.8oz					
METRIC (mm)		68	38	9.5					
IMPERIAL (ins)		2.68	1.50	0.37					
1078/003		Zinc plated		Weight 140g/5oz					
METRIC (mm)		103	46	10					
IMPERIAL (ins)		4.10	1.81	0.4					



Top: 0142/001

Bottom: 0143/001

		TAILBOARD CAM BRACKET							
		Pressed, self-colour steel.							
		A	B	C	D	E	F	G	H
0142/001		Left hand (shown)				Weight 410g/14.5oz			
0142/002		Right hand							
METRIC (mm)		40	38	39	116	40	20		
IMPERIAL (ins)		1.60	1.50	1.54	4.57	1.58	0.80		

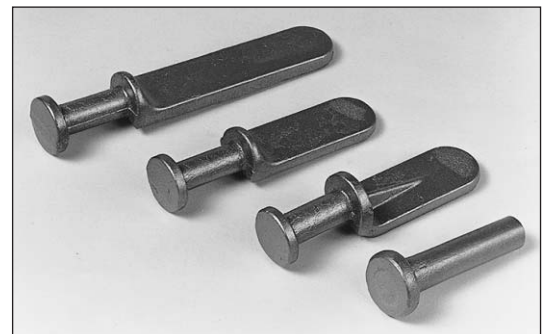
		TAILBOARD CAM								
		Pressed, self-colour steel. For use with 0142/001 & 2.								
		A	B	C	D	E	F	G	H	
0143/001		Weight 170g/6oz								
METRIC (mm)		40	38	17	82	10	20			
IMPERIAL (ins)		1.60	1.50	0.70	3.20	0.39	0.80			

					RETAINING BRACKET			
Pressed, self-colour steel.					E	F	G	H
3987/001 For 20mm bar					Weight 180g/6.4oz			
METRIC (mm)	50	52	35	11	5			
IMPERIAL (ins)	2.00	2.05	1.40	0.43	0.20			
3987/003 For 25mm bar					Weight 180g/6.4oz			
METRIC (mm)	50	49	39	11	5			
IMPERIAL (ins)	2.00	1.93	1.54	0.43	0.20			



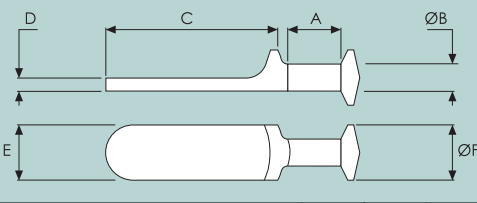
					RETAINING PIN			
Zinc plated pin, complete with 191mm (7.5"), zinc plated, straight link chain.					E	F	G	H
3987/002					Weight 110g/3.9oz			
METRIC (mm)	82	72	5	14	9.5	57		
IMPERIAL (ins)	3.20	2.80	0.20	0.60	0.37	2.24		

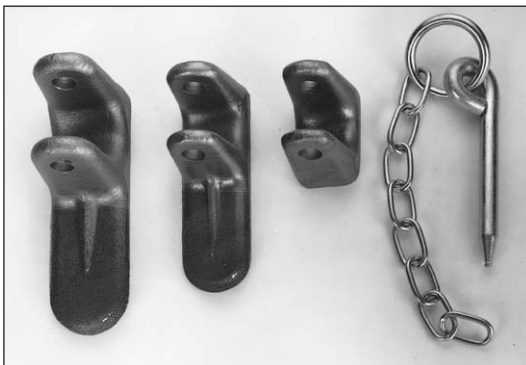
					SHOULDER PIN			
Self colour steel.					E	F	G	H
1073/002					Weight 300g/10.6oz			
METRIC (mm)	90	11	20	38				
IMPERIAL (ins)	3.54	0.43	0.80	1.50				



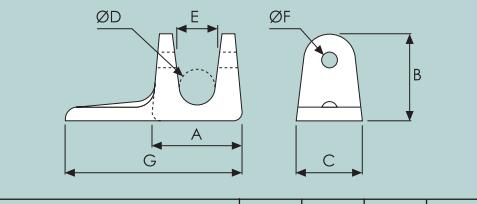
Left to right:
4048/003, 4048/006, 4048/001, 1073/002.

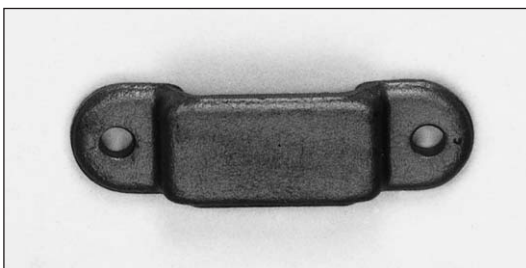
					TAILBOARD LUGS			
Self colour steel, to weld-on.					E	F	G	H
4048/001					Weight 840g/1.9lb			
METRIC (mm)	49	26	101	13	45	45	25	
IMPERIAL (ins)	1.90	1.02	4.00	0.51	1.77	1.77	0.98	
4048/004					Weight 320g/11.3oz			
METRIC (mm)	38	19	94	7	32	32	20	
IMPERIAL (ins)	1.50	0.75	3.70	0.26	1.26	1.26	0.79	
4048/007					Weight 530g/1.2lb			
METRIC (mm)	46	25	89	10	38	38	19	
IMPERIAL (ins)	1.81	0.98	3.50	0.39	1.50	1.50	0.75	

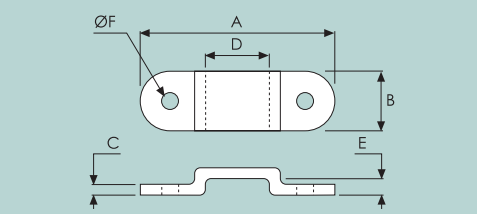
				TAILBOARD LUGS					
				Self colour steel, to weld-on.					
				E	F	G	H		
4048/003				Weight 620g/1.4lb					
METRIC (mm)				45	18	150	9.5	36	24
IMPERIAL (ins)				1.77	0.71	5.91	0.37	1.42	1.34



Left to right:
4051/001, 4051/003, 4051/004, 2582/002.

				TAILBOARD FORKETS						
				Self colour, forged steel. For retaining pin see page a13.						
				E	F	G	H			
4051/001				Weight 760g/1.7lb						
METRIC (mm)				58	59	40	27	30	11	130
IMPERIAL (ins)				2.30	2.32	1.60	1.06	1.20	0.43	5.12
4051/003				Weight 450g/1lb						
METRIC (mm)				54	48	35	21	25	11	108
IMPERIAL (ins)				2.13	1.89	1.40	0.83	0.98	0.43	4.25
4051/004				Weight 310g/11oz						
METRIC (mm)				54	48	35	21	25	11	
IMPERIAL (ins)				2.13	1.89	1.40	0.83	0.98	0.43	
4051/005				Short pattern		Weight 310g/10.9oz				
METRIC (mm)				51	49	32	21	25	11	90
IMPERIAL (ins)				2.01	1.93	1.26	0.83	0.98	0.43	3.54
4051/007				Short pattern		Weight 390g/13.8oz				
METRIC (mm)				62	54	32	26	31	11	110
IMPERIAL (ins)				2.44	2.13	1.26	1.02	1.22	0.43	4.33



				STAPLE					
				Self colour steel, to bolt-on.					
				E	F	G	H		
7024/001				Weight 290g/10oz					
METRIC (mm)				124	37	8	40	8	10.3
IMPERIAL (ins)				4.90	1.50	0.32	1.60	0.32	0.41

				LOCKING BAR BRACKET Self-colour, forged steel. Bolt-on.				
	A	B	C	D	E	F	G	H
4050/002	To suit 25mm bar				Weight 365g/12.9oz			
METRIC (mm)	90	42	32	26	67	24	8.5	
IMPERIAL (ins)	3.54	1.65	1.26	1.02	2.64	0.95	0.34	



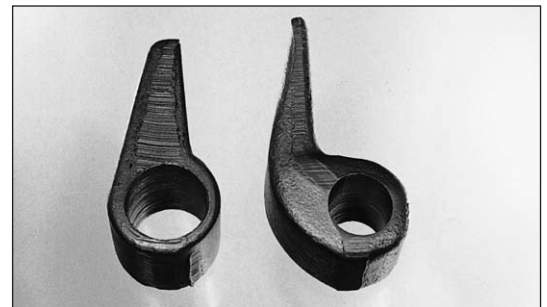
				LOCKING BAR BRACKETS Self-colour, forged steel. Weld-on.				
	A	B	C	D	E	F	G	H
4109/001	To suit 20mm bar				Weight 270g/9.5oz			
METRIC (mm)	45	45	27	21				
IMPERIAL (ins)	1.80	1.80	1.06	0.83				
4109/002	To suit 25mm bar.				Weight 230g/8.1oz			
METRIC (mm)	45	45	27	26				
IMPERIAL (ins)	1.80	1.80	1.06	1.02				



Left: 4109/002

Right: 4109/001

				LOCKING BAR TABS Self-colour, forged steel.				
	A	B	C	D	E	F	G	H
4044/004	To suit 20mm bar.				Weight 330g/11.6oz			
METRIC (mm)	80	38	36	21	6	62		
IMPERIAL (ins)	3.15	1.50	1.42	0.83	0.24	2.44		
4044/005	To suit 25mm bar				Weight 325g/11.5oz			
METRIC (mm)	80	38	36	26	6	62		
IMPERIAL (ins)	3.15	1.50	1.42	1.02	0.24	2.44		
4150/003	To suit 20mm bar.				Weight 370g/13oz			
METRIC (mm)	96	36	36	21	28	78		
IMPERIAL (ins)	3.78	1.42	1.42	0.83	1.10	3.07		
4150/004	To suit 25mm bar				Weight 365g/12.9oz			
METRIC (mm)	96	36	36	26	28	78		
IMPERIAL (ins)	3.78	1.42	1.42	1.02	1.10	3.07		



Left: 4044/005

Right: 4150/003

				LOCKING BAR HOOKS Self-colour, forged steel.				
	A	B	C	D	E	F	G	H
4047/001	To suit 20mm bar.				Weight 300g/10.6oz			
METRIC (mm)	78	25.4	73	21	39			
IMPERIAL (ins)	3.10	1.00	2.90	0.83	1.54			
4047/002	To suit 25mm bar				Weight 240g/8.5oz			
METRIC (mm)	86	26	68	26	36			
IMPERIAL (ins)	3.39	1.02	2.68	1.02	1.41			

