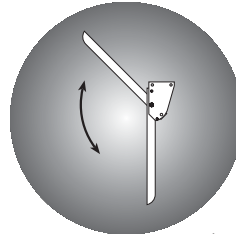
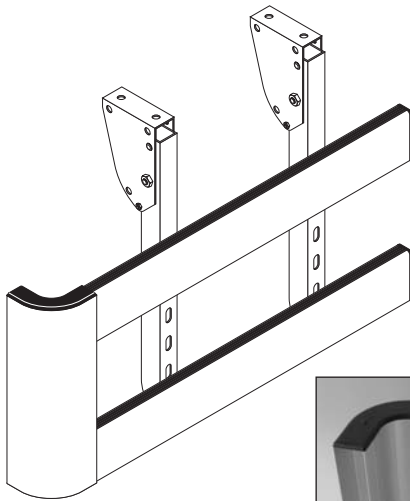


SIDEGUARD SYSTEM

- **HINGED GUARD ARMS** ALLOWS EASY ACCESS UNDER VEHICLE
- **POSITIVE LOCKING** VIA PIN OR HIDDEN SPRING CLIP RETAINER
- **BOLT-ON SYSTEM** - NO WELDING RQUIRED
- **EXCELLENT CORROSION RESISTANCE**
ANODISED ALUMINIUM & GALVANISED STEEL CONSTRUCTION
- ALL KITS SUITABLE FOR **BOTH SIDES** OF ONE VEHICLE
- FULLY COMPLIES WITH **EEC DIRECTIVES** & HAS 'TUV' CERTIFICATION



6801/003

side guard leg

Locking via pin & tag
Galvanised steel

6801/005

side guard leg

Locking via spring clip retainer
Galvanised steel
(shown)



6802/200

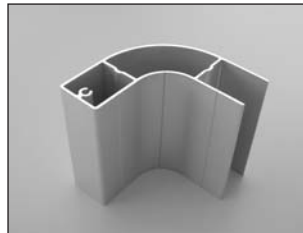
double pedestrian guard kits

Kit consists of:
2 anodised aluminium, double pedestrian guards,
4 black plastic end caps to suit guards,
4 black plastic end caps to suit guard rail,
16 aluminium blind rivets,
8 lock-nuts, 8 plain washers, 8 carriage bolts
(all galvanised steel).

6802/100

single pedestrian guard kits

Kit consists of:
2 anodised aluminium, single pedestrian guards,
4 black plastic end caps to suit guards,
2 black plastic end caps to suit guard rail,
8 aluminium blind rivets,
4 lock-nuts, 4 plain washers, 4 carriage bolts
(all galvanise steel).



6803/3400

guard rail

Consists of 3400mm anodised aluminium extrusion.
Other sizes available, details on request.

