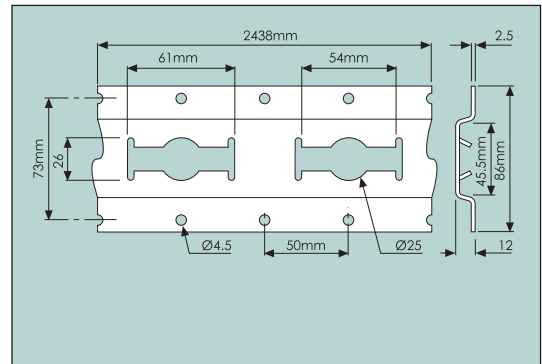
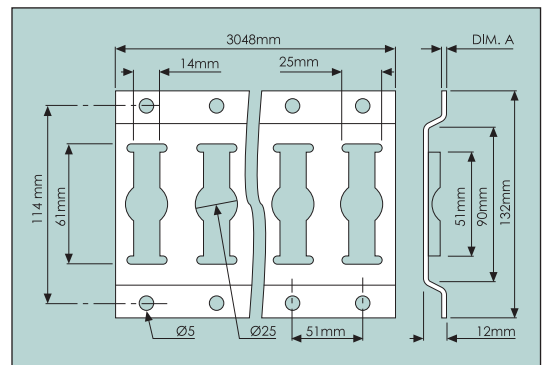


## Internal Tracking

<b>3000/590</b>	<b>Eurotrack</b>	<b>Weight 6.9kg/15.2lb</b>
Zinc-plated, mild steel. 3048 mm (10') lengths. For horizontal fixing.		

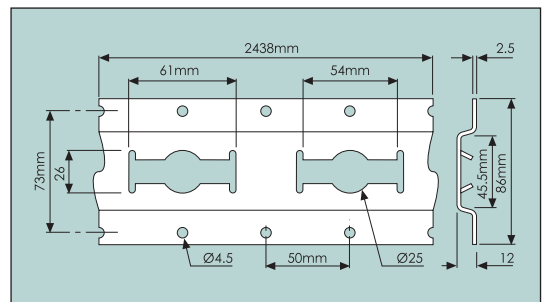


<b>3000/591</b>	<b>'E' track</b>	<b>Weight 7.9kg/17.4lb</b>
Zinc-plated, mild steel. 3048 mm (10') lengths, Dim A = 2.5 mm For horizontal fixing.		

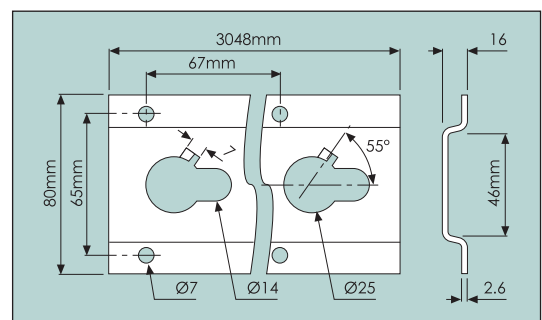


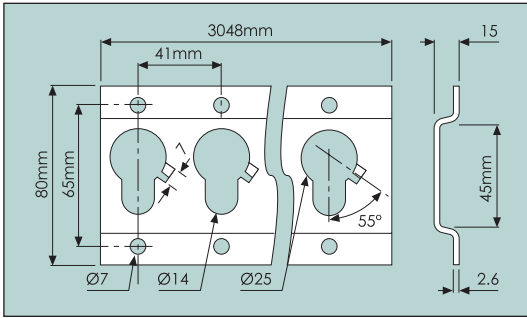
<b>3000/5911</b>	<b>'E' track</b>	<b>Weight 3kg/6.6lb</b>
Aluminium. 3048 mm (10') lengths, Dim A = 3 mm For horizontal fixing.		

<b>3000/5910</b>	<b>'E' track</b>	<b>Weight 6.1kg/13.5lb</b>
Zinc-plated, mild steel. 2438 mm (8') lengths. For vertical fixing.		



<b>3000/594</b>	<b>Keyhole track</b>	<b>Weight 4.6kg/10.2lb</b>
Zinc-plated, mild steel. 3048 mm (10') lengths. For vertical fixing.		



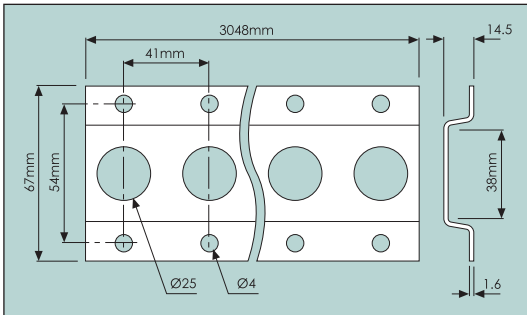


**3000/5941**

**Keyhole track**

**Weight 4.6kg/10.2lb**

Zinc-plated, mild steel.  
3048 mm (810') lengths.  
For horizontal fixing.

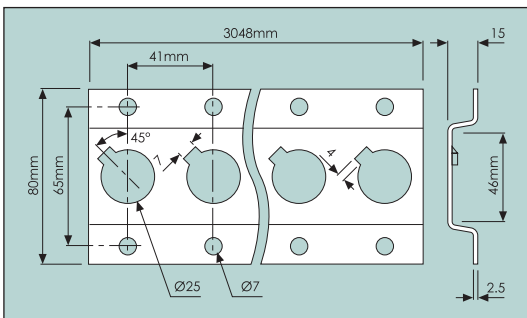


**3000/595**

**Standard track**

**Weight 3.04kg/6.7lb**

Galvanised, mild steel.  
3048 mm (10') lengths.  
For horizontal & vertical fixing.

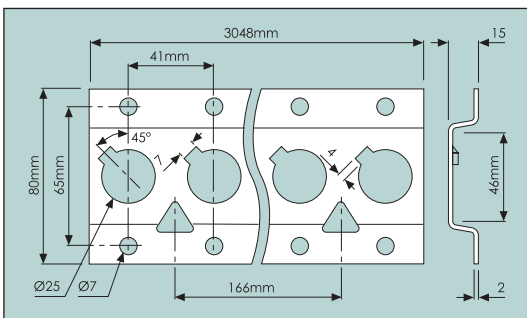


**3000/596**

**Heavy duty track**

**Weight 3.7kg/8.2lb**

Zinc-plated, mild steel.  
3048 mm (10') lengths.  
For horizontal & vertical fixing.



**3000/597**

**Heavy duty track**

**Weight 4.8kg/10.7lb**

Stainless steel.  
3048 mm (10') lengths.  
For horizontal fixing.