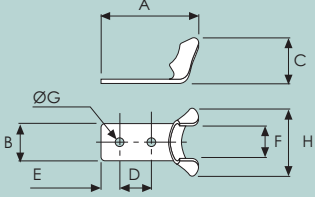
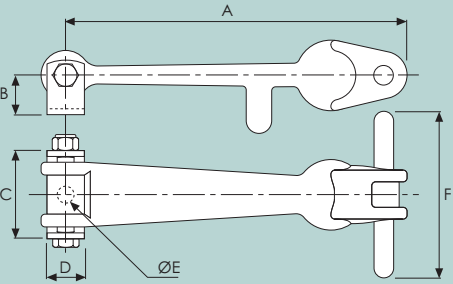
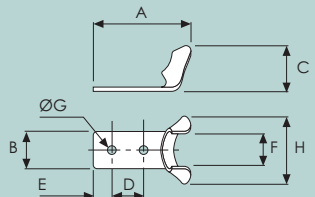
					<b>BONNET FASTENER</b>			
					EPDM (55° shore) hook with zinc plated bracket & clip (see below).			
<b>5300/001 Complete assembly Weight 120g/4.2oz</b>					E	F	G	H
METRIC (mm)	112	14	38	31	4	56		
IMPERIAL (ins)	4.41	0.55	1.50	1.22	0.16	2.21		



Top- 5302/001, complete.  
Centre - 5303/001, complete.  
Bottom- 5300/001, complete.

					<b>CLIP</b>			
					Supplied with 5300/001 (see above).			
					E	F	G	H
METRIC (mm)	53	20	28	16	10	14	4.6	34
IMPERIAL (ins)	2.09	0.79	1.10	0.63	0.39	0.55	0.18	1.34

					<b>BONNET FASTENER</b>			
					EPDM (55° shore) hook with zinc plated steel bracket & clip (see below).			
<b>5302/001 Weight 190g/6.7oz</b>					E	F	G	H
METRIC (mm)	138	20	42	19	9	84		
IMPERIAL (ins)	5.43	0.79	1.65	0.75	0.35	3.31		
<b>5303/001 Weight 200g/7.1oz</b>					E	F	G	H
METRIC (mm)	190	20	42	19	9	84		
IMPERIAL (ins)	7.48	0.79	1.65	0.75	0.35	3.31		

					<b>CLIP</b>			
					Supplied with 5302 & 5303 fasteners, (see above).			
					E	F	G	H
METRIC (mm)	50	19	33	25	6	20	6.5	40
IMPERIAL (ins)	1.97	0.75	1.30	0.98	0.24	0.79	0.26	1.58



		<b>RUBBER BONNET FASTENER</b>							
		Rubber hook with steel bracket & clip (see below). Maximum extension from relaxed to tension should be 10%. Hence, the distance between centres 'X & X' should be between 16 - 19 mm.							
		A	B	C	D	E	F	G	H
<b>5301/001</b>	Zinc plated	<b>Weight 50g/1.8oz</b>							
<b>5301/003</b>	Stainless steel								
	METRIC (mm)	54.5	21.0	23.0	20.0	5.00	39.0	10.0	
	IMPERIAL (ins)	2.15	0.83	0.91	0.80	0.20	1.54	0.40	

		<b>CLIP</b>							
		Supplied with 5301 bonnet fasteners (see above).							
		A	B	C	D	E	F	G	H
	METRIC (mm)	31	25	22	12	10	10	4	
	IMPERIAL (ins)	1.22	1	0.87	0.47	0.4	0.4	0.16	



		<b>SPRING BONNET FASTENER</b>							
		Nickel plated, carbon steel. Supplied complete with hook (see below).							
		A	B	C	D	E	F	G	H
<b>4529/002</b>		<b>Weight 41g/1.5oz</b>							
	METRIC (mm)	135	25.4	14.0	63.0	32.0	14.5	13.5	2.00
	IMPERIAL (ins)	5.32	1.00	0.55	2.48	1.26	0.57	0.53	0.08

		<b>HOOK</b>							
		Nickel plated, carbon steel. Supplied complete with 4529/002 bonnet fastener (see above).							
		A	B	C	D	E	F	G	H
		<b>Weight 7g/0.3oz</b>							
	METRIC (mm)	32.0	17.0	12.0	11.0	2.00	21.0	4.20	11.0
	IMPERIAL (ins)	1.26	0.67	0.47	0.43	0.08	0.83	0.17	0.43