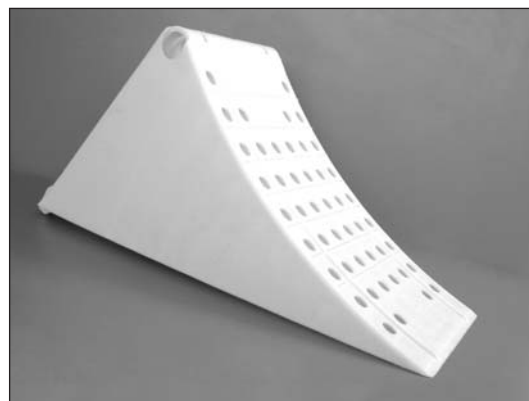


Wheel Chocks

WHEEL CHOCK

UV stabilised polypropylene, Signal yellow (Rai 1023).
Conforms to DIN 76051-53 (nov '92).
Suitable for all vehicles that are required to comply with current legislation/ADR regulations.
Refer 6436/020 for holder.
6,500kg maximum load.

	A	B	C	D	E	F	G	H
6436/010	Weight 1.9kg/4.2lb							
METRIC (mm)	230	470	200					
IMPERIAL (ins)	9.06	18.5	7.87					



WHEEL CHOCK HOLDER

For use with 6436/010.
Spring steel construction with a black primer finish.

	A	B	C	D	E	F	G	H
6436/020	Weight 1.4kg/3.1lb							
METRIC (mm)	240	30	260	210	180	120	8.5	
IMPERIAL (ins)	9.45	1.18	10.2	8.27	7.09	4.72	0.34	



HEAVY DUTY WHEEL CHOCK

Abrasive resistant rubber compound.
Eyebolt I.D = 11 mm (0.43")

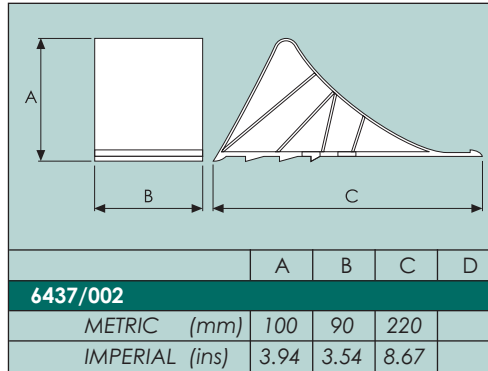
	A	B	C	D	E	F	G	H
6437/001	Weight 4.96kg/11lb							
METRIC (mm)	160	235	195					
IMPERIAL (ins)	6.30	9.25	7.68					



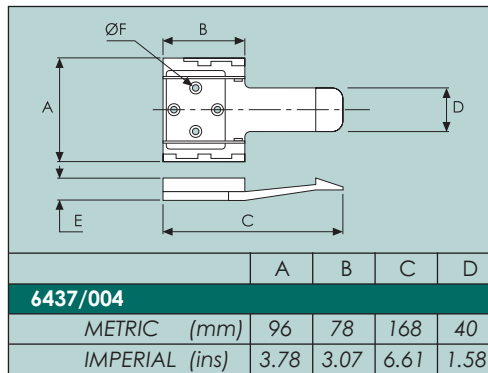


		A	B	C	D	E	F	G	H
6437/002		Weight 220g/7.8oz							
METRIC (mm)		100	90	220					
IMPERIAL (ins)		3.94	3.54	8.67					

		A	B	C	D	E	F	G	H
6437/004		Weight 40g/1.4oz							
METRIC (mm)		96	78	168	40	20	6		
IMPERIAL (ins)		3.78	3.07	6.61	1.58	0.79	0.24		



WHEEL CHOCK
Black plastic with a maximum load rating of 1600kg. For use with 6437/004 holder.



WHEEL CHOCK HOLDER
Black plastic. For use with 6437/002 wheel chock.