

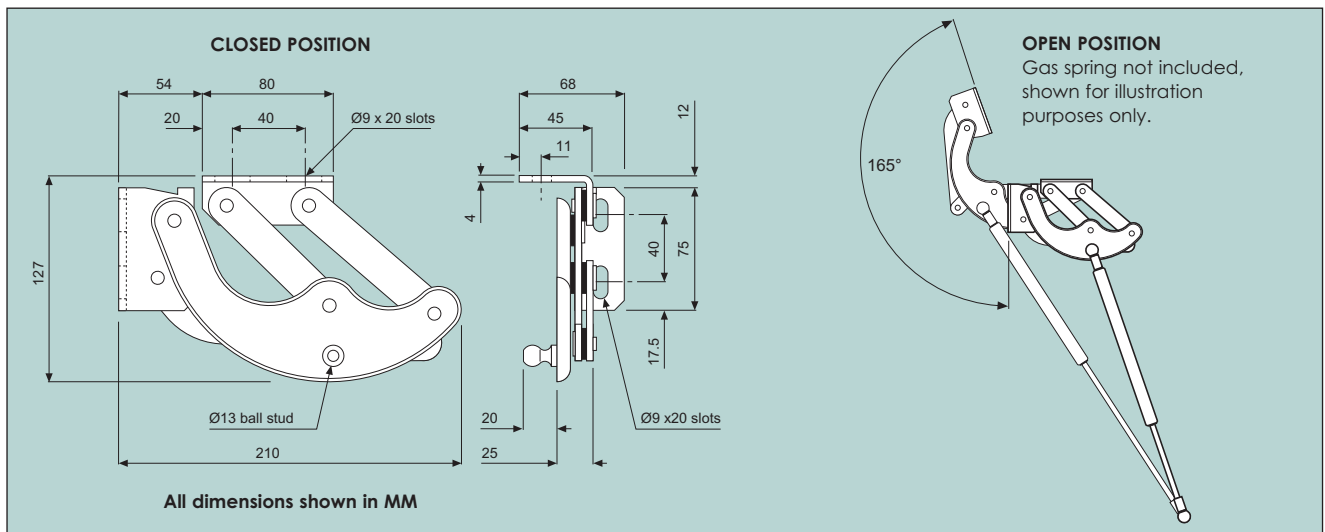
0859/001 Concealed Locker Hinge - Left hand
0859/002 Concealed Locker Hinge - Right hand

Zinc plated, pressed, mild steel construction with PTFE washers at all hinge points.

Fitted with a Ø13mm ball stud for gas spring attachment via 1252/54 elbow (not supplied - refer page b5).

Specifications for gas springs are application specific, therefore, please contact us for further details.

LEFT HAND SHOWN



		DOUBLE PRESSED BUTT HINGE							
		Self colour, mild steel.							
		A	B	C	D	E	F	G	H
0762/002		Weight 260g/9.2oz							
METRIC	(mm)	36.0	101	4.00	10.0	6.00			
IMPERIAL	(ins)	1.42	3.98	0.16	0.40	0.24			

