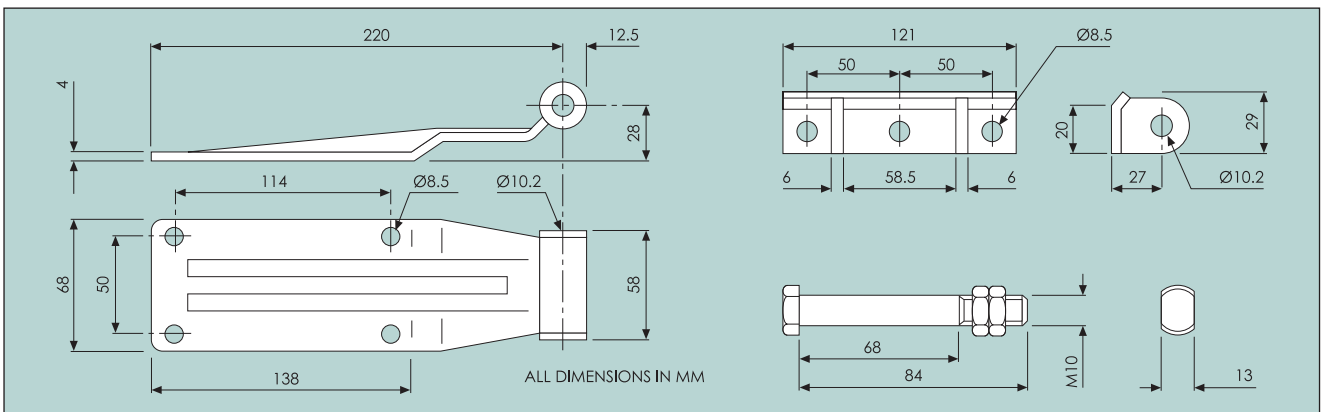


Rear Van Door Hinges

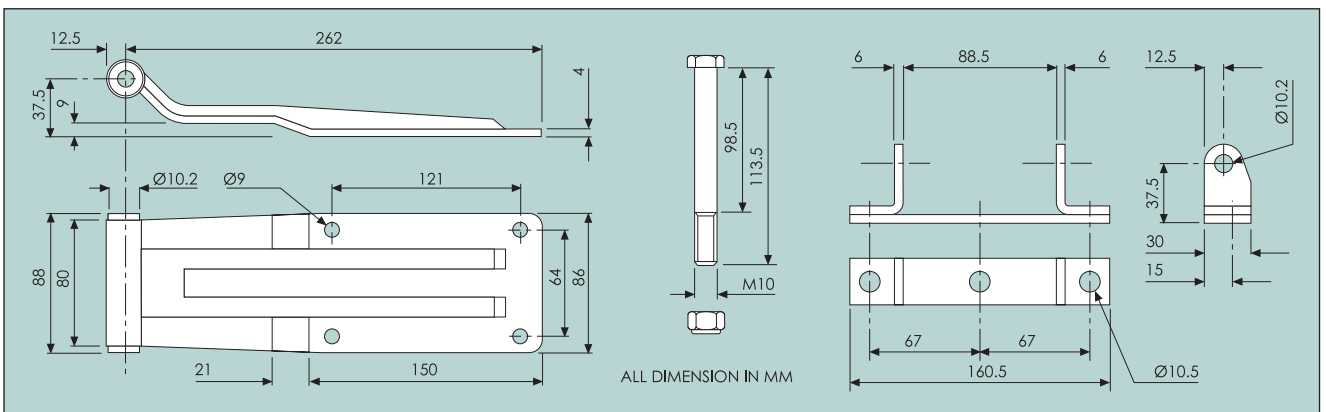
Rear van-door hinge (270° operation)		
Complete assembly.		
9810/542	304 Stainless steel	Weight 830g/1.8lb

Assembly includes:	
9810/5460- Blade	9810/5480- Bracket
9810/5520- Pin with 2 lock-nuts	



Rear van-door hinges (270° operation)		
Complete assemblies.		
9810/572	304 Stainless steel	Weight 1.3kg/2.9lb
9810/571	Zinc-plated	Weight 1.3kg/2.9lb

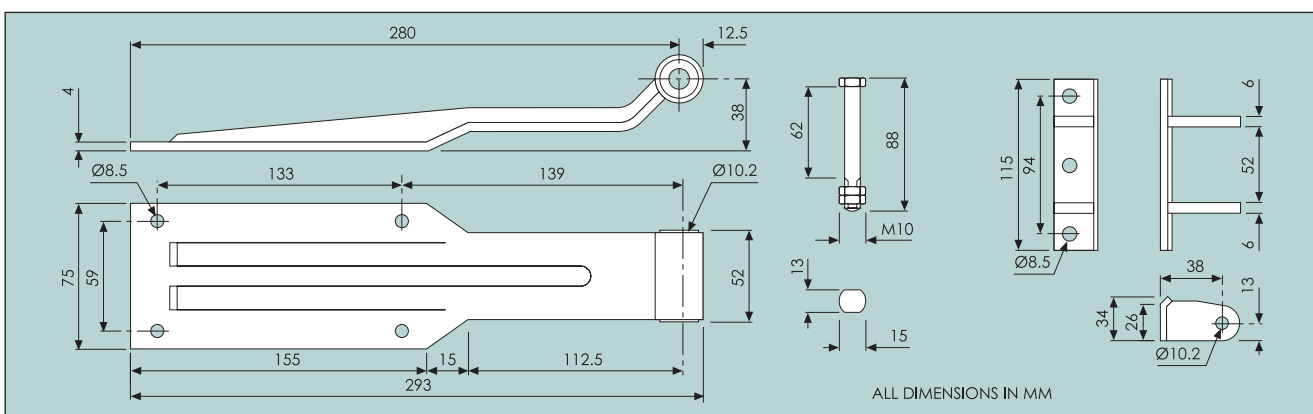
Stainless steel assembly includes:	
9810/57100 - Blade	9810/57500 - Bracket
9810/57900 - Hinge pin	9810/57902 - Lock nut
Zinc-plated assembly includes:	
9810/57101 - Blade	9810/57501 - Bracket
9810/57901 - Hinge pin	9810/57903 - Lock nut





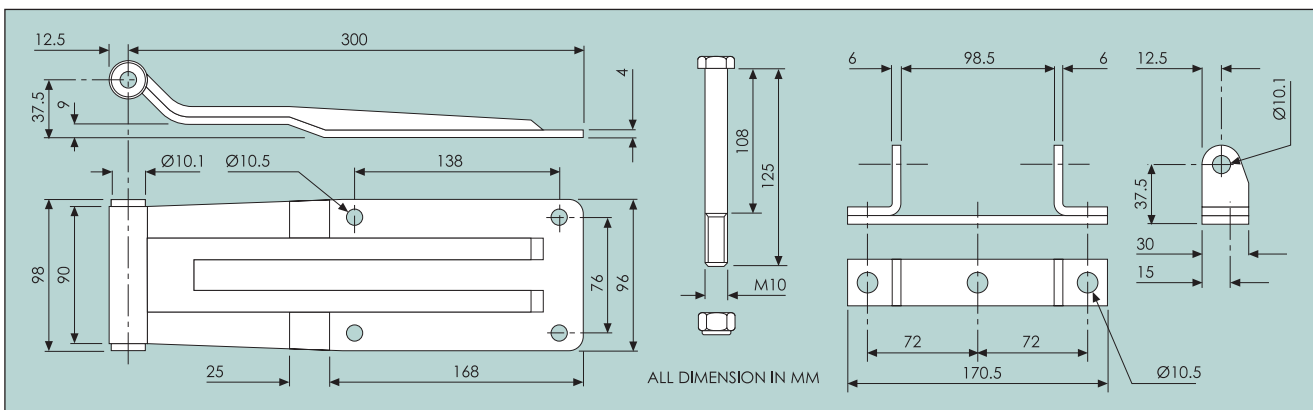
Rear van-door hinge (270° operation)		
Complete assemblies.		
9810/515	304 Stainless steel	Weight 1kg/2.2lb
9810/516	Zinc-plated	Weight 1kg/2.2lb

Stainless steel assembly includes:	
9810/5340 - Blade	9810/5380 - Bracket
9810/5520 - Pin with 2 lock-nuts	
Zinc-plated assembly includes:	
9810/5350 - Blade	9810/5390 - Bracket
9810/5530 - Pin with 2 lock-nuts	



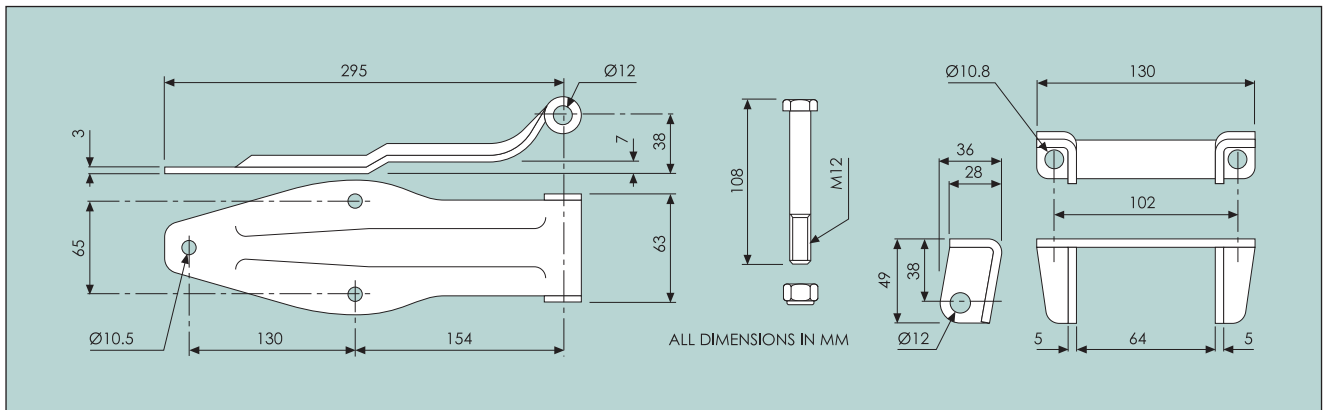
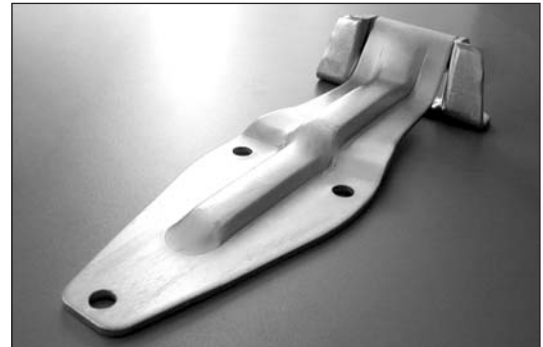
Rear van-door hinges (270° operation)		
Complete assemblies.		
9810/574	304 Stainless steel	Weight 1.5kg/3.3lb
9810/573	Zinc-plated	Weight 1.5kg/3.3lb

Stainless steel assembly includes:	
9810/57000 - Blade	9810/57400 - Bracket
9810/57800 - Hinge pin	9810/57902 - Lock-nut
Zinc-plated assembly includes:	
9810/57001 - Blade	9810/57401 - Bracket
9810/57801 - Hinge pin	9810/57903 - Lock-nut



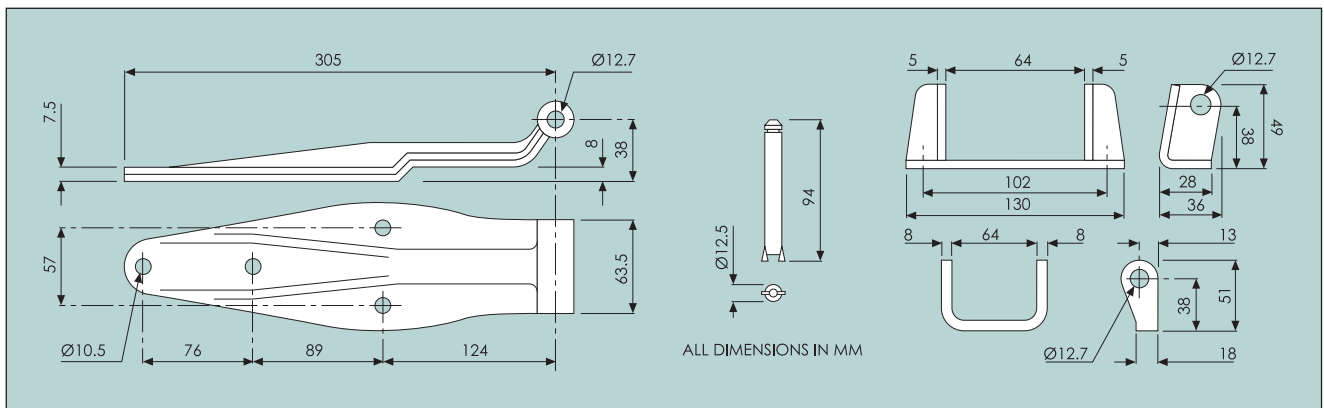
Rear van-door hinge (270° operation)		
Complete assembly.		
2052/100	Zinc-plated steel	Weight 1.1kg/2.4lb

Assembly includes:			
2052/0076 - Blade	2052/102 - M12 hinge bolt		
0973/200 - Bracket	2052/103 - M12 lock-nut		



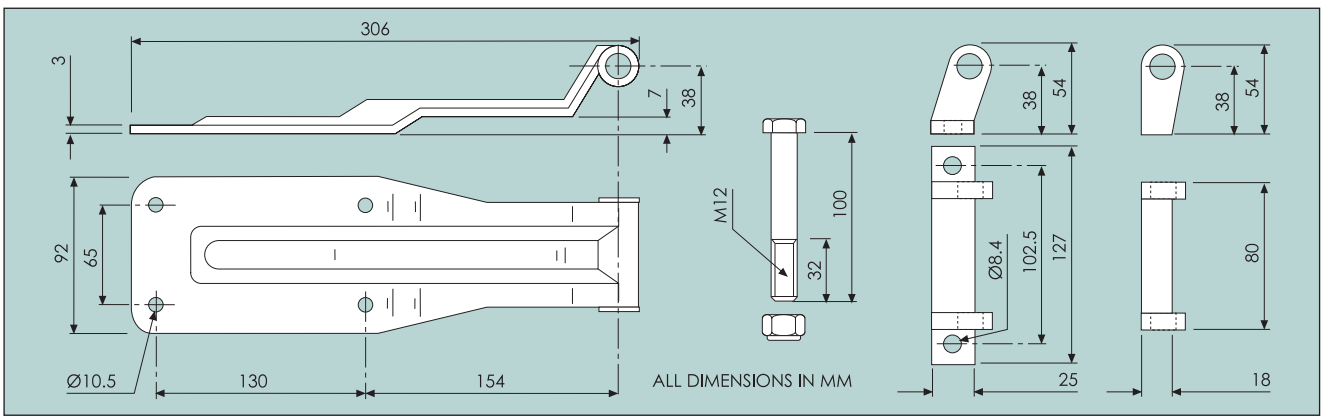
Rear van-door hinges (270° operation)		
Complete zinc-plated assemblies.		
0973/001	With bolt-on bracket	Weight 3.05kg/6.7lb
0973/0011	With weld-on bracket	Weight 2.96kg/6.5lb

Assemblies include:			
0973/002 - Forged steel blade	0973/011 - Weld-on bracket		
0973/201 - Bolt-on bracket	2054/007 - Hinge pin & circlip		

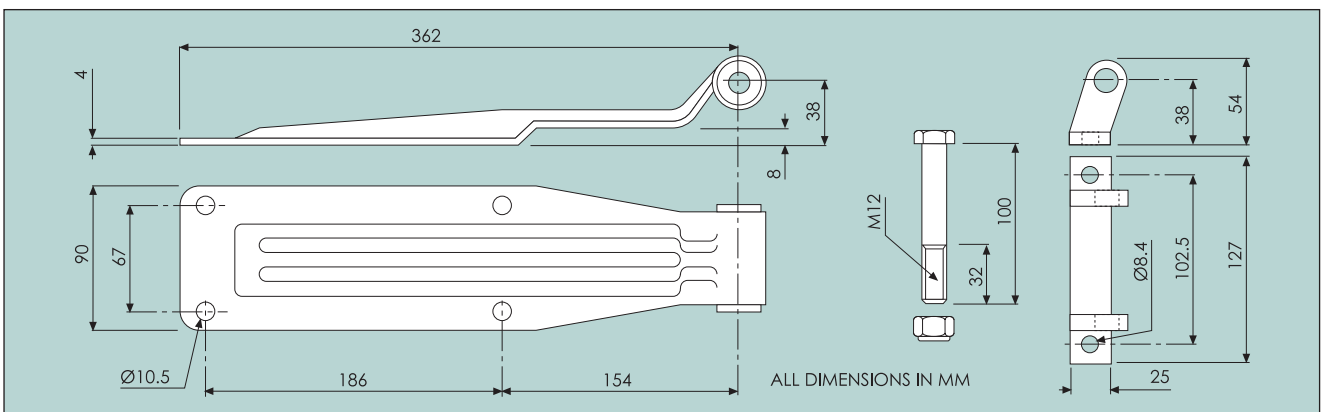


Rear Van Door Hinges

Rear van-door hinges		
	Complete, 'Pre-packed' assemblies.	
2051/300	Zinc-plated	Weight 1.1kg/2.4lb
	Complete with bolt-on bracket.	
2051/311	Zinc-plated	Weight 1.1kg/2.4lb
	Complete with weld-on bracket.	
2051/400	Stainless steel	Weight 1.1kg/2.4lb
	Complete with bolt-on bracket.	
2051/411	Stainless steel	Weight 1.1kg/2.4lb
	Complete with weld-on bracket.	



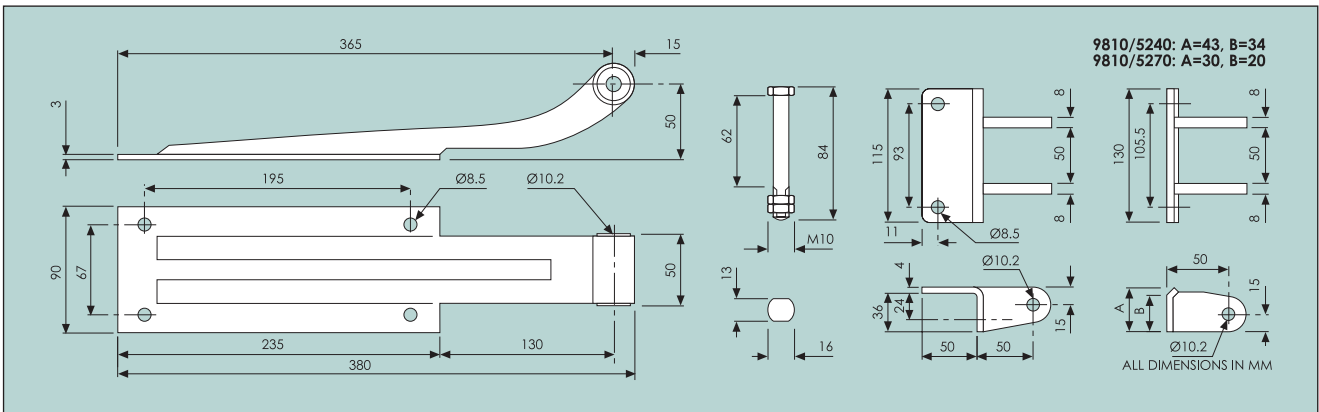
Rear van-door hinges (270° operation)		
	Complete, 'Pre-packed' assemblies.	
2057/401	4 hole, stainless steel	Weight 1.5kg/3.3lb
2057/301	4 hole, zinc-plated	Weight 1.5kg/3.3lb
	Complete with bolt-on bracket.	





Rear van-door hinges (270° operation)		
Complete assemblies.		
9810/512	304 Stainless steel	Weight 1.7kg/3.8lb
Complete with angled bracket		
9810/511	Zinc-plated	Weight 1.7kg/3.8lb
Complete with angled bracket		
9810/514	304 Stainless steel	Weight 1.6kg/3.5lb
Complete with wide bracket		
9810/513	Zinc-plated	Weight 1.6kg/3.5lb
Complete with narrow bracket		

Stainless steel assemblies include:	
9810/5180 - Blade	9810/5200 - Angled bracket
9810/5240 - Wide bracket	9810/5520 - Pin with 2 lock-nuts
Zinc-plated assemblies include:	
9810/5190 - Blade	9810/5210 - Angled bracket
9810/5270 - Narrow bracket	9810/5530 - Pin with 2 lock-nuts



Rear Van Door Hinges