

		A	B	C	D	E	F	G	H
<b>1191/13001</b>	<b>Locking/black</b>	<b>Weight 250g/8.8oz</b>		1-25mm grip range					
<b>1191/13051</b>	<b>Non-locking/black</b>	<b>Weight 250g/8.8oz</b>		1-25mm grip range					
<b>1191/13002</b>	<b>Locking/chrome</b>	<b>Weight 250g/8.8oz</b>		1-25mm grip range					
<b>1191/13052</b>	<b>Non-locking/chrome</b>	<b>Weight 250g/8.8oz</b>		1-25mm grip range					
METRIC (mm)		109	31.0	16.0	32.0	35.0	2.50	10.0	12.5
IMPERIAL (ins)		4.29	1.22	0.63	1.26	1.38	0.10	0.39	0.49



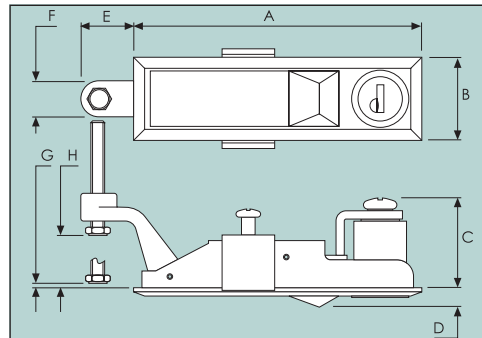
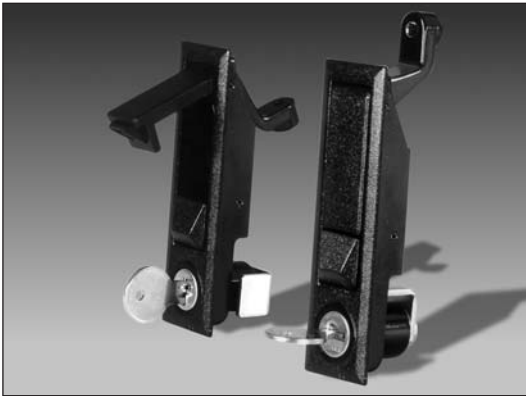
		A	B	C	D	E	F	G	H
<b>1152/001</b>	<b>Keyed random</b>	<b>Weight 147g/5.2oz</b>		90° rotation to operate with 3mm compression on closure.					
<b>1152/002</b>	<b>Keyed alike</b>	<b>Weight 147g/5.2oz</b>		* Dimension G refers to cam (not supplied) specification, refer below for details. 25mm x 70mm cut-out required.					
METRIC (mm)		36	70	9.0	22.5	2.0	28	*	
IMPERIAL (ins)		1.42	2.76	0.35	0.89	0.08	1.10		



NB. cam supplied separately, refer below for details.

• CAMS • CAMS • CAMS • CAMS • CAMS • CAMS • CAMS • CAMS • CAMS • CAMS • CAMS • CAMS • CAMS •							
DIM G	PART NUMBER	DIM G	PART NUMBER	DIM G	PART NUMBER	DIM G	PART NUMBER
14	9790/014	16	9790/012	18	9790/010	20	9790/008
23	9790/005	24	9790/004	26	9790/002	28	9790/000
30	9790/102	32	9790/104	34	9790/106	35	9790/107
36	9790/108	38	9790/110	40	9790/112		

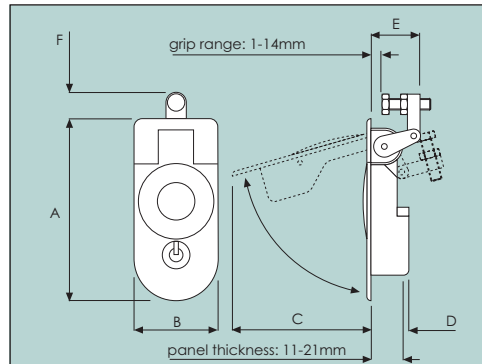
Other cams sizes available on request, subject to minimum order quantities.



**'TRIGGER' LATCH**

Push button action with the facility to adjust compression force via a threaded striker bolt. A black, powder coated, zinc-alloy die cast body with zinc plated internal components. Supplied with a single key along with a zinc plated steel clamp plate. Panel thickness range: 0.8mm min. to 8mm max.

	A	B	C	D	E	F	G	H
<b>1192/0534</b>					<b>Weight 220g/7.8oz</b>			
METRIC (mm)	104	30	33	6	17	12.7	3.2	19
IMPERIAL (ins)	4.10	1.18	1.30	0.24	0.67	0.50	0.13	0.75



**SEALED COMPRESSION LATCH**

Zinc, die-cast body with black, powder coated finish. Lockable with two keys supplied. Push button release. Zinc plated steel clamp plate supplied. Grip range: 1mm to 14mm. For use in NEMA 4 & IP66 applications. Optional gasket available.

	A	B	C	D	E	F	G	H
<b>9530/0523</b>					<b>Weight 370g/13.1oz</b>			
METRIC (mm)	110	50	85	22	29	15		
IMPERIAL (ins)	4.33	1.97	3.35	0.87	1.14	0.59		
<b>9530/0520</b>	<b>Gasket</b>							

**RECESSED COMPARTMENT LOCK**

With interior release. Polypropylene assembly with clamp & painted steel striker plate (omitted for clarity). Suits panels from 1.5 to 15mm thick. Fitted through Ø50mm cut-out with 2 x 3/16 BSF bolts (not supplied)

	A	B	C	D	E	F	G	H
<b>0810/001</b>	<b>Black</b>		<b>Weight 60g/2.1oz</b>					
<b>0810/002</b>	<b>White</b>							
METRIC (mm)	61.0	38.0	3.00	27.0	4.00	29.0	32.0	23.0
IMPERIAL (ins)	2.40	1.50	0.12	1.06	0.16	1.14	1.26	0.91



**COMPARTMENT LOCK**

Push-button action with finger-pull. Die-cast cover with steel latch assembly. C/w gasket. Max. panel = 2 mm

	A	B	C	D	E	F	G	H
<b>5310/0100</b>	<b>Chrome face-plate</b>		<b>Weight 210g/7.4oz</b>					
<b>5310/0200</b>	<b>Black face-plate</b>							
METRIC (mm)	13	25	74	51	26.5	32	18	40
IMPERIAL (ins)	0.51	0.98	2.91	2.01	1.04	1.26	0.71	1.58



**COMPARTMENT LOCK**

Chrome plated. C/w 2 keys and fixing nut. Straight cam supplied.

	A	B	C	D	E	F	G	H
<b>2244/101</b>	<b>Random keyed</b>		<b>Weight 60g/2.1oz</b>					
<b>2244/102</b>	<b>Keyed alike</b>							
METRIC (mm)	26.0	33.0	20.0	15.0	19.0	16.0		
IMPERIAL (ins)	1.02	1.30	0.79	0.60	0.75	0.63		



**COMPARTMENT LOCK**

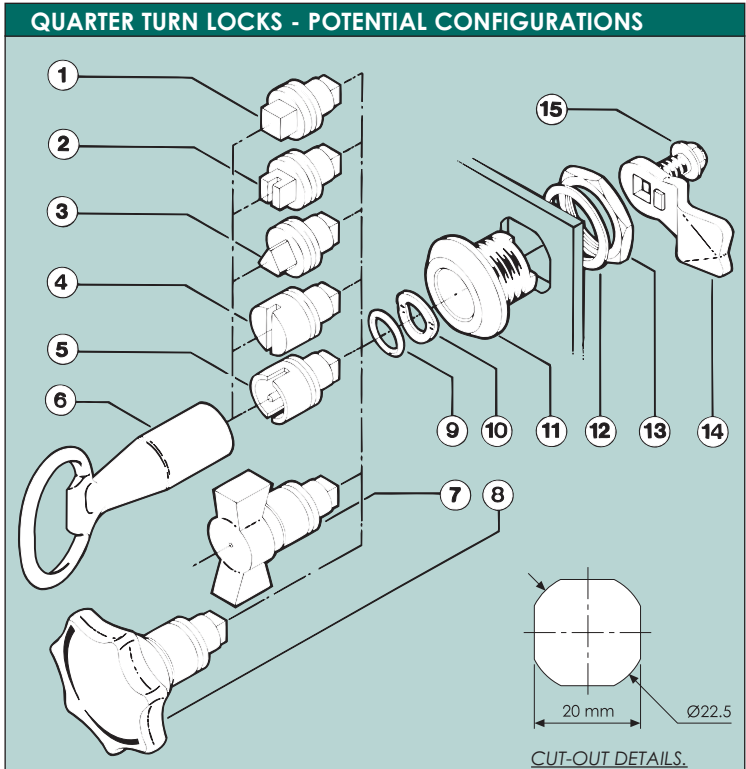
Chrome plated. C/w spiked washer, fixing nut and 2 keys. Packed in pairs. Cranked cam.

	A	B	C	D	E	F	G	H
<b>2245/101</b>	<b>keyed in pairs</b>		<b>Weight 75g/2.7oz</b>					
<b>2245/102</b>	<b>Keyed alike</b>							
METRIC (mm)	25.0	34.0	36.0	12.0	19.0	16.0		
IMPERIAL (ins)	1.00	1.34	1.42	0.47	0.75	0.63		



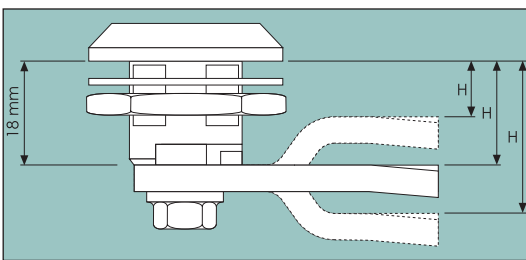


Brochure listing all available configurations and part numbers available on request.



1.	8 mm Square.	2.	8 mm Square slotted.
3.	7 & 8 mm Triangular.	4.	2 x 4 mm deep slot.
5.	3 & 5 mm Double bit.	6.	Key to suit insert.
7.	Wing-knob.	8.	Star handle.
9.	'O' ring.	10.	Wavewasher.
11.	Housing.	12.	External seal.
13.	Nut or earth-nut.	14.	Cam.
15.	Screw.		

Inserts 1 to 5 are in a variety of finishes which include chrome plate, black powder-coating and black polyamide.



For suitable cam please contact us with dimension H.

• FINISHES • FINISHES • FINISHES • FINISHES • FINISHES •

28 mm	ZINC-ALLOY, DIE-CAST.	ZINC-ALLOY, DIE-CAST.	POLYAMIDE
32 mm	CHROME PLATED	BLACK POWDER-COATED	BLACK

With die-cast body only, dimension A is available 30mm, 36mm, 40mm, 50mm and 60mm.

