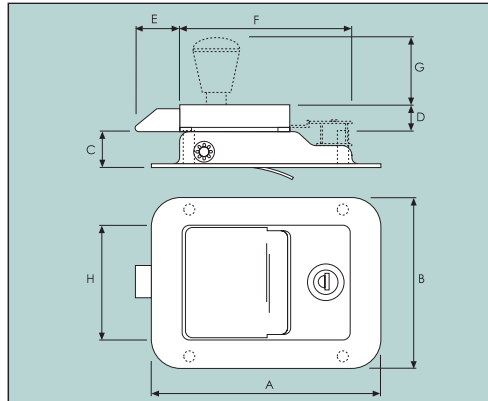




Left-0912/710

Right- 0907/514



PADDLE LOCKS

Flush fitting pressed steel body and mechanism.
Fixing via 4 x Ø4 mm holes or 4 x M5 x 20mm studs.
2 keys supplied with locking paddles.
See table below for full specification & part numbers.

	A	B	C	D	E	F	G	H
0907	FOR PART NUMBERS SEE BELOW							
METRIC (mm)	140	89.0	22.0	16.0	23.0	110	42.0	60.0
IMPERIAL (ins)	5.51	3.50	0.87	0.63	0.91	4.33	1.65	2.36
0912 & 0913	FOR PART NUMBERS SEE BELOW							
METRIC (mm)	140	108	22.0	16.0	23.0	110	42.0	78.0
IMPERIAL (ins)	5.51	4.25	0.87	0.63	0.91	4.33	1.65	3.07

· DESCRIPTION · DESCRIPTION · DESCRIPTION · DESCRIPTION · DESCRIPTION · DESCRIPTION · DESCRIPTION ·					
FINISH	LOCKING	INTERNAL RELEASE	FIXING	WEIGHT	PART NUMBER
Zinc plated	No	No	Blank	350g/12.4oz	0907/001
Zinc plated	No	Yes	Blank	370g/13.1oz	0907/003
Zinc plated	No	No	Studs	370g/13.1oz	0907/005
Zinc plated	Keyed in pairs	No	Blank	420g/14.8oz	0907/010
Zinc plated	Keyed 64001	No	Blank	430g/15.2oz	0907/011
Zinc plated	Keyed in pairs	Yes	Blank	460g/1.02lb	0907/014
Zinc plated	Keyed 64001	Yes	Blank	460g/1.02lb	0907/015
All black	No	No	Studs	420g/14.8oz	0907/202
All black	Keyed in pairs	No	Blank	420g/14.8oz	0907/210
All black	Keyed 64001	No	Blank	430g/15.2oz	0907/211
All black	Keyed 64001	No	Studs	350g/12.4oz	0907/213
Black & Stainless	Keyed in pairs	No	Blank	420g/14.8oz	0907/510
Black & Stainless	Keyed 64001	No	Blank	420g/14.8oz	0907/511
Black & stainless	Keyed in pairs	Yes	Blank	460g/1.02lb	0907/514
· DESCRIPTION · DESCRIPTION · DESCRIPTION · DESCRIPTION · DESCRIPTION · DESCRIPTION · DESCRIPTION ·					
Stainless steel	No	No	Holes	390g/13.8oz	0912/401
Stainless steel	Keyed in pairs	No	Holes	450g/11lb	0912/410
Stainless steel	Keyed 64001	No	Holes	450g/11lb	0912/411
Stainless steel	Keyed in pairs	No	Holes	450g/11lb	0912/710
· DESCRIPTION · DESCRIPTION · DESCRIPTION · DESCRIPTION · DESCRIPTION · DESCRIPTION · DESCRIPTION ·					
Zinc plated	Keyed in pairs	No	Holes	480g/1.06lb	0913/010

*N.B. 0912 paddles are supplied with a pressed stainless steel tongue except 0912/710 which is supplied with a solid steel tongue with a chemical black finish.
All other paddle locks are supplied with zinc plated, pressed steel tongues.
Any other combination of fixing, finish, locking, etc., is available on request.

Paddle Locks

		A	B	C	D	E	F	G	H
0907/018		Keyed in pairs			Weight 460g/1lb				
0907/019		Keyed alike			Weight 460g/1lb				
METRIC (mm)		140	89.0	22.0	16.0	24.0	110	12.5	60.0
IMPERIAL (ins)		5.51	3.50	0.87	0.63	0.95	4.33	0.49	2.36



IMPROVED
SLAM ACTION

		A	B	C	D	E	F	G	H
0907/518		Keyed in pairs			Weight 460g/1lb				
0907/519		Keyed alike			Weight 460g/1lb				
METRIC (mm)		140	89.0	22.0	16.0	24.0	110	12.5	60.0
IMPERIAL (ins)		5.51	3.50	0.87	0.63	0.95	4.33	0.49	2.36

		A	B	C	D	E	F	G	H
0912/405		Non locking			Weight 490g/1.1lb				
0912/418		Keyed in pairs			Weight 490g/1.1lb				
0912/419		Keyed alike			Weight 490g/1.1lb				
METRIC (mm)		140	108	22.0	16.0	24.0	110	12.5	78.0
IMPERIAL (ins)		5.51	4.25	0.87	0.63	0.95	4.33	0.49	3.07



		A	B	C	D	E	F	G	H
0910		FOR PART NUMBERS SEE BELOW							
METRIC (mm)		140	108	22.0	16.0	23.0	110	42.0	78.0
IMPERIAL (ins)		5.51	4.25	0.87	0.63	0.91	4.33	1.65	3.07

. DESCRIPTION . DESCRIPTION . DESCRIPTION . DESCRIPTION . DESCRIPTION . DESCRIPTION . DESCRIPTION .						
FINISH	LOCKING	INTERNAL RELEASE	FIXING	CLAMP PLATE	WEIGHT	PART No.
Stainless steel	Keyed in pairs	No	Holes	No	460g/1.01lb	0910/410
Stainless steel	Keyed 64001	No	Holes	No	460g/1.01lb	0910/411
Stainless steel	Keyed 64001	Yes	Holes	No	490g/1.08lb	0910/415
Stainless steel	Keyed 64001	Yes	Studs	No	480g/1.06lb	0910/417
Stainless steel	Keyed in pairs	No	Studs	Yes	590g/1.30lb	0910/430
Stainless steel	Keyed 64001	No	Studs	Yes	590g/1.30lb	0910/431
Stainless steel	Keyed 6400	Yes	Studs	Yes	630g/1.39lb	0910/433



		A	B	C	D	E	F	G	H
0910/418		Weight 460g/1.01lb							
METRIC (mm)		140	108	22.0	16.0	23.0	110	42.0	78.0
IMPERIAL (ins)		5.51	4.25	0.87	0.63	0.91	4.33	1.65	3.07

Paddle Locks

PADDLE LOCK

Flush fitting.
Locking (mixed keys) with 2 keys supplied.
Black poly-coated finish.
Supplied with fixing clips & screws.

	A	B	C	D	E	F	G	H
1085/001	No interior release		Weight 1.1kg/2.4lb					
1090/001	With interior release		Weight 1.2kg/2.7lb					
METRIC (mm)	195	130	32.0	15.0	29.0	165	38.0	M5
IMPERIAL (ins)	7.68	5.12	1.26	0.60	1.14	6.50	1.50	



WEATHERPROOF PADDLE LOCK

Glass filled nylon flap & body with zinc plated steel components.
Supplied with integral neoprene gasket & zinc plated steel mounting clamp.
Cut-out details available on request.
2 keys supplied.
For striker refer 5589/00406, see below.
NB: Dimension H refers to handle flap recess.

	A	B	C	D	E	F	G	H
5589/0700	Mixed keys		Weight 384g/13.6oz					
5589/0800	Keyed alike		Weight 384g/13.6oz					
METRIC (mm)	140	108	3.00	59.0	32.0	6.00	39.0	76.0
IMPERIAL (ins)	5.51	4.25	0.12	2.32	1.26	0.24	1.54	2.99



Insert shows 'moulded' nylon striker face, giving exceptionally smooth engagement action.

STRIKER

304 stainless steel.
For use with 5589/0700 - 0800 Weatherproof paddles & 5589/0500 - 0600 Oval paddles.

	A	B	C	D	E	F	G	H
5589/00406	Weight 70g/2.5oz							
METRIC (mm)	55.0	38.0	48.0	20.0	10.0	20.0	6.00	7.00
IMPERIAL (ins)	2.17	1.50	1.89	0.79	0.39	0.79	0.24	0.76

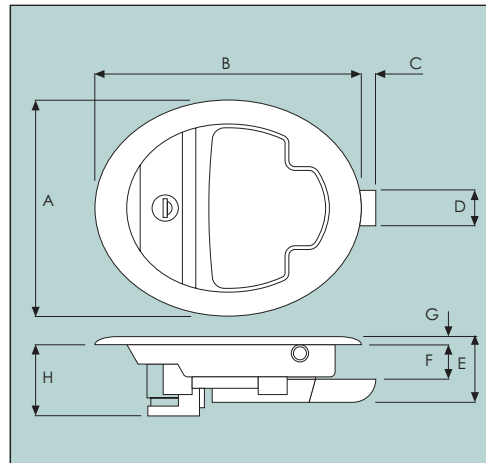




SLAM BOLT



Insert shows clamp plates & slam bolt.



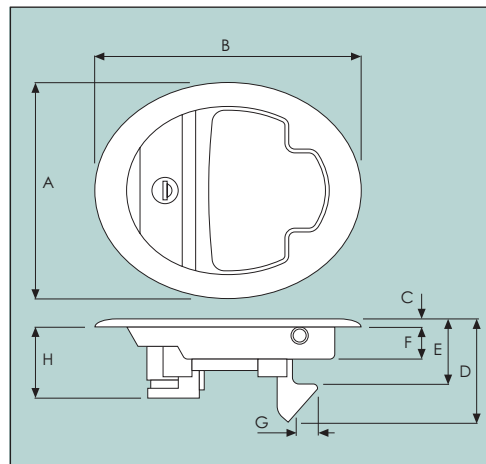
OVAL PADDLE LOCK

Slam bolt action. Glass filled nylon flap & body with zinc plated steel components. Supplied with gasket & zinc plated steel mounting clamps. Cut-out details available on request. 2 keys supplied.

	A	B	C	D	E	F	G	H
5589/0300	Mixed keys				Weight 552g/1.2lb			
5589/0400	Keyed alike				Weight 552g/1.2lb			
METRIC (mm)	120	150	10.0	19.0	40.0	21.0	4.00	40.0
IMPERIAL (ins)	4.72	5.91	0.39	0.75	1.56	0.83	0.16	1.56



Insert shows clamp plates & pressed steel striker.



OVAL PADDLE LOCK

Glass filled nylon flap & body with zinc plated steel components. Supplied with gasket & zinc plated steel mounting clamps. Cut-out details available on request. 2 keys supplied. For striker refer 5589/00406, page d8.

	A	B	C	D	E	F	G	H
5589/0500	Mixed keys				Weight 435g/15.3oz			
5589/0600	Keyed alike				Weight 435g/15.3oz			
METRIC (mm)	120	150	4.00	57.0	36.0	19.0	12.0	40.0
IMPERIAL (ins)	4.72	5.91	0.16	2.24	1.42	0.75	0.47	1.56

Paddle Locks

		A	B	C	D	E	F	G	H
9810/3140 Weight 680g/1.5lb									
METRIC (mm)		132	99.0	23.0	40.0	28.0	122	78.0	5.00
IMPERIAL (ins)		5.20	3.90	0.91	1.58	1.10	4.80	3.07	0.20
9810/3150 Spare striker		Weight 60g/2.1oz							



		A	B	C	D	E	F	G	H
0877/001 Weight 150g/5.3oz									
METRIC (mm)		89.0	51.0	1.00	18.0	5.00	8.00	4.00	
IMPERIAL (ins)		3.50	2.00	0.04	0.71	0.20	0.32	0.16	





PUSH -BUTTON PADDLE HANDLE									
Black powder-coated, pressed steel pan, a glass filled nylon handle, & zinc-plated, pressed steel latch mechanism with a gold passivated finish. Locking (64001) with 2 keys supplied. Supplied c/w bezel. For striker refer to 9301/101 (below).									
	A	B	C	D	E	F	G	H	
0916/3070	Left hand, standard				Weight 660g/1.5lb				
0916/3071	Right hand, standard (shown)								
METRIC (mm)	140	108	114	80.0	20.0	48.0	58.0	82.0	
IMPERIAL (ins)	5.51	4.25	4.49	3.15	0.79	1.89	2.28	3.23	



STRIKER									
Zinc plated and gold passivated.									
	A	B	C	D	E	F	G	H	
9301/101					Weight 50g/1.8oz				
METRIC (mm)	19	14	9	42	M12	18	14		
IMPERIAL (ins)	0.75	0.55	0.35	1.65		0.71	0.55		