



4229/001

		A	B	C	D	E	F	G	H	
4229/001		44.5mm centres				Weight 300g/10.6oz				
		Non-locking								
4229/002		38mm centres				Weight 310g/11oz				
		locking, random keys								
4229/003		44.5mm centres				Weight 310g/11oz				
		locking, random keys								
4229/401		44.5mm centres				Weight 310g/11oz				
		locking, keyed alike								
METRIC (mm)		115	52	97	4	16				
IMPERIAL (ins)		4.53	2.05	3.82	0.16	0.63				

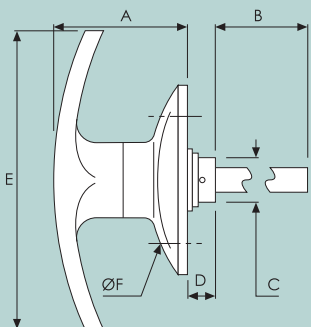


		A	B	C	D	E	F	G	H	
4218/001		Weight 260g/9.2oz								
METRIC (mm)		40	110	18	17	94	5			
IMPERIAL (ins)		1.57	4.33	0.71	0.67	3.7	0.2			



		A	B	C	D	E	F	G	H	
4223/101		Weight 230g/8oz								
METRIC (mm)		43	100	15	10	60	5			
IMPERIAL (ins)		1.69	3.94	0.59	0.39	2.36	0.2			
4222/606		Fixing gasket								

Tee Handles



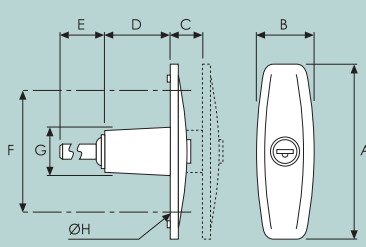
'T' HANDLE

5224 - 360° rotation.
For matching lever handle refer 4222 range on page d31.

	A	B	C	D	E	F	G	H
5224/	For full description				Weight 250g/8.8oz			
METRIC (mm)	45	100	15	9	101	5		
IMPERIAL (ins)	1.77	3.94	0.59	0.35	3.98	0.2		
4222/606	Fixing gasket							



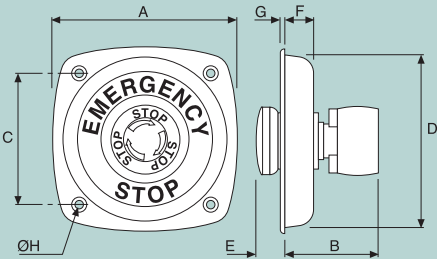
PART NUMBER	FINISH	HOLE CENTRES	KEYED
5224/001	Chrome	44.5mm (1.75")	Random
5224/002	Chrome	44.5mm (1.75")	Alike
5224/006	Black	44.5mm (1.75")	Random



POP-UP 'T' HANDLE

Black powder coating on die-cast base. Right hand indicates a clockwise rotation to open. See TRI/MARK range for further details. Standard 8mm spindle. For cams refer page d38.

	A	B	C	D	E	F	G	H
9500/8101	LH. 90° rotation.				Weight 520g/1.2lb			
9500/8102	RH. 90° rotation.				Weight 520g/1.2lb			
9500/8121	RH. 160° rotation.				Weight 520g/1.2lb			
METRIC (mm)	108	34	13	43.7	45.2	68.9	27.4	5.5
IMPERIAL (ins)	4.25	1.34	0.51	1.72	1.78	2.71	1.08	0.22

EMERGENCY STOP SWITCH

Black, glass reinforced, recessed dish with a highly visible red stop switch. The switch is IP 65 rated & immediately breaks the circuit when pressed (turn to reset). Suitable for 12 - 24 v AC/DC & tested to make or break at 11 amps, at 440 V.A.C. with thermal current rating of 16 amps.

	A	B	C	D	E	F	G	H
1201/001	Weight 100g/3.5oz							
METRIC (mm)	126	58	90	108	11	20	3	5.5
IMPERIAL (ins)	4.96	2.28	3.54	4.25	0.43	0.79	0.12	0.22

