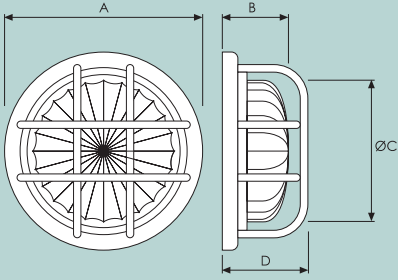
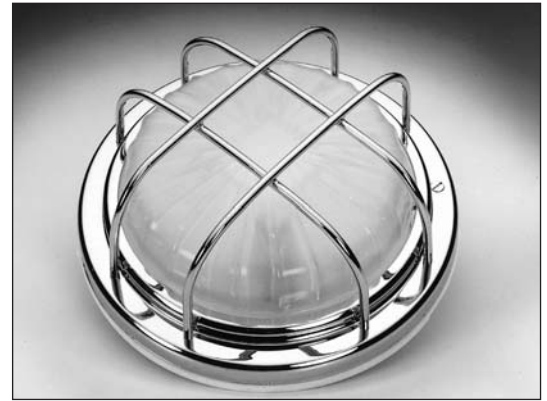
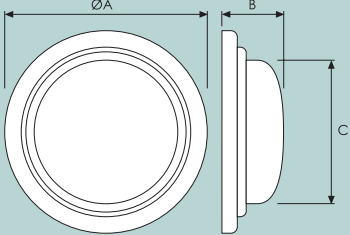


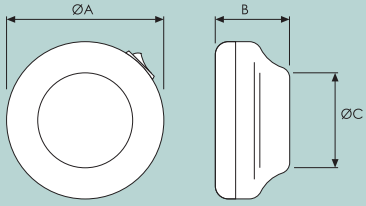
## Roof Lamps

|   |  | A   | B    | C    | D    | E | F | G | H |
|---|--|---|------|------|------|---|---|---|---|
|  |  | <p><b>INTERIOR ROOF LAMP</b></p> <p>Surface mounting c/w plastic lens.<br/>Max 21w bulb, twin contact SBC (not supplied).</p> |      |      |      |   |   |   |   |
| <b>4656/012</b>   |  | <b>Weight 410g/14.5oz</b>   |      |      |      |   |   |   |   |
| METRIC (mm)   |  | 175   | 51.0 | 130  | 69.0 |   |   |   |   |
| IMPERIAL (ins)  |  | 6.90  | 2.00 | 5.12 | 2.72 |   |   |   |   |



|   |  | A   | B    | C    | D | E | F | G | H |
|---|--|---|------|------|---|---|---|---|---|
|  |  | <p><b>INTERIOR ROOF LAMP</b></p> <p>Surface mounting c/w polypropylene lens.<br/>No switch.<br/>Max 21w bulb, twin contact SBC.</p> |      |      |   |   |   |   |   |
| <b>0404/001</b>   |  | <b>Chrome rim, no bulb</b>  |      |      |   |   |   |   |   |
| <b>0404/501</b>   |  | <b>Chrome rim, with bulb</b>  |      |      |   |   |   |   |   |
| METRIC (mm)   |  | 175   | 57.0 | 132  |   |   |   |   |   |
| IMPERIAL (ins)  |  | 6.90  | 2.24 | 5.20 |   |   |   |   |   |
| <b>0404/002</b>   |  | <b>Grey rim, no bulb</b>  |      |      |   |   |   |   |   |
| <b>0404/502</b>   |  | <b>Grey rim, with bulb</b>  |      |      |   |   |   |   |   |
| METRIC (mm)   |  | 175   | 57.0 | 132  |   |   |   |   |   |
| IMPERIAL (ins)  |  | 6.90  | 2.24 | 5.20 |   |   |   |   |   |



|   |  | A   | B    | C    | D | E | F | G | H |
|---|--|---|------|------|---|---|---|---|---|
|  |  | <p><b>INTERIOR ROOF LAMP</b></p> <p>Surface mounting with a metal base and plastic lens.<br/>Max 21w bulb, single contact SBC (supplied).</p> |      |      |   |   |   |   |   |
| <b>0405/001</b>   |  | <b>No switch</b>  |      |      |   |   |   |   |   |
| <b>0405/002</b>   |  | <b>With switch</b>  |      |      |   |   |   |   |   |
| METRIC (mm)   |  | 140   | 62.0 | 80.0 |   |   |   |   |   |
| IMPERIAL (ins)  |  | 5.51  | 2.44 | 3.15 |   |   |   |   |   |





|                 |  | A                         | B    | C    | D    | E    | F | G | H |
|-----------------|--|---------------------------|------|------|------|------|---|---|---|
| <b>0213/001</b> |  | <b>Weight 300g/10.1oz</b> |      |      |      |      |   |   |   |
| METRIC (mm)     |  | 170                       | 30.0 | 154  | 19.0 | 126  |   |   |   |
| IMPERIAL (ins)  |  | 6.70                      | 1.18 | 6.06 | 0.75 | 4.96 |   |   |   |



|                 |  | A                      | B    | C    | D | E | F | G | H |
|-----------------|--|------------------------|------|------|---|---|---|---|---|
| <b>3147/001</b> |  | <b>Weight 140g/5oz</b> |      |      |   |   |   |   |   |
| METRIC (mm)     |  | 200                    | 42.0 | 70.0 |   |   |   |   |   |
| IMPERIAL (ins)  |  | 7.87                   | 1.65 | 2.76 |   |   |   |   |   |



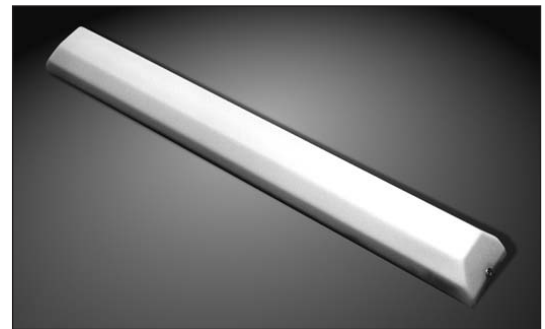
|                 |  | A                         | B    | C                         | D | E | F | G | H |
|-----------------|--|---------------------------|------|---------------------------|---|---|---|---|---|
| <b>0407/001</b> |  | 12v, 10w halogen bulb     |      | <b>Weight 320g/11.3oz</b> |   |   |   |   |   |
| <b>5613/001</b> |  | 12v, 10w fluorescent bulb |      |                           |   |   |   |   |   |
| METRIC (mm)     |  | 160                       | 160  | 46.0                      |   |   |   |   |   |
| IMPERIAL (ins)  |  | 6.30                      | 6.30 | 1.81                      |   |   |   |   |   |

## Fluorescent Lamps

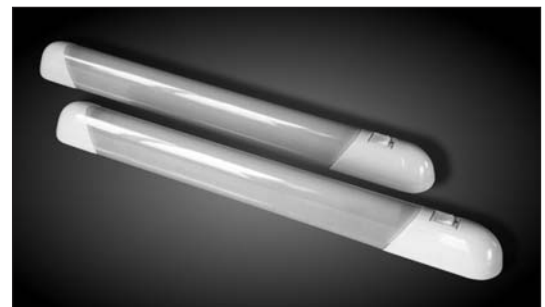
|                         |                     | A   | B    | C    | D | E | F | G | H |
|-------------------------|---------------------|---|------|------|---|---|---|---|---|
| <b>FLUORESCENT LAMP</b> |                     | Surface mounting with tube and wiring tails.<br>* Complete with switch. |      |      |   |   |   |   |   |
| <b>5650/001 *</b>       | <b>12v 8w Tube</b>  | <b>Weight 190g/6.7oz</b>  |      |      |   |   |   |   |   |
| METRIC (mm)             |                     | 380   | 32   | 40   |   |   |   |   |   |
| IMPERIAL (ins)          |                     | 15  | 1.26 | 1.58 |   |   |   |   |   |
| <b>5652/001</b>         | <b>24v 13w Tube</b> | <b>Weight 270g/9.5oz</b>  |      |      |   |   |   |   |   |
| METRIC (mm)             |                     | 610   | 32   | 40   |   |   |   |   |   |
| IMPERIAL (ins)          |                     | 24  | 1.26 | 1.58 |   |   |   |   |   |



|                         |                     | A  | B    | C    | D | E | F | G | H |
|-------------------------|---------------------|--|------|------|---|---|---|---|---|
| <b>FLUORESCENT LAMP</b> |                     | Surface mounting with tube and wiring tails.<br>No switch. |      |      |   |   |   |   |   |
| <b>5610/001</b>         | <b>12v 20w Tube</b> | <b>Weight 750g/1.7lb</b>                                   |      |      |   |   |   |   |   |
| <b>5610/002</b>         | <b>24v 20w Tube</b> |  |      |      |   |   |   |   |   |
| METRIC (mm)             |                     | 710  | 54   | 87   |   |   |   |   |   |
| IMPERIAL (ins)          |                     | 28   | 2.13 | 3.43 |   |   |   |   |   |



|                         |                    | A   | B    | C    | D | E | F | G | H |
|-------------------------|--------------------|---|------|------|---|---|---|---|---|
| <b>FLUORESCENT LAMP</b> |                    | Surface mounting.<br>Complete with a single tube & integral switch. |      |      |   |   |   |   |   |
| <b>5641/001</b>         | <b>12v 8w tube</b> | <b>Weight 230g/8.1oz</b>  |      |      |   |   |   |   |   |
| METRIC (mm)             |                    | 426   | 35   | 45   |   |   |   |   |   |
| IMPERIAL (ins)          |                    | 16.8  | 1.38 | 1.77 |   |   |   |   |   |

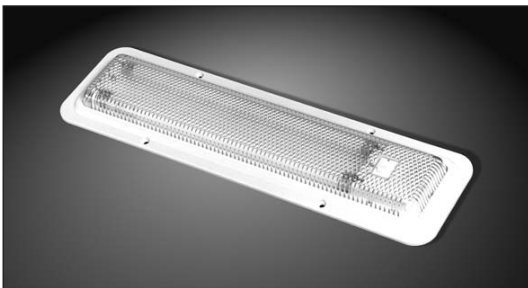


|                         |                                 | A   | B    | C    | D    | E    | F | G | H |
|-------------------------|---------------------------------|---|------|------|------|------|---|---|---|
| <b>FLUORESCENT LAMP</b> |                                 | Surface mounting with tube and wiring tails.<br>Polycarbonate lens with a pressed aluminium back-plate. |      |      |      |      |   |   |   |
| <b>5612/001</b>         | <b>12v, 2 x 8w, with switch</b> | <b>Weight 380g/13.4oz</b>   |      |      |      |      |   |   |   |
| <b>5612/002</b>         | <b>12v, 2 x 8w, no switch</b>   |   |      |      |      |      |   |   |   |
| <b>5612/003</b>         | <b>24v, 2 x 8w, with switch</b> |   |      |      |      |      |   |   |   |
| <b>5612/004</b>         | <b>24v, 2 x 8w, no switch</b>   |   |      |      |      |      |   |   |   |
| METRIC (mm)             |                                 | 376   | 29   | 86   | 362  | 4    |   |   |   |
| IMPERIAL (ins)          |                                 | 14.8  | 1.14 | 3.39 | 14.3 | 0.16 |   |   |   |



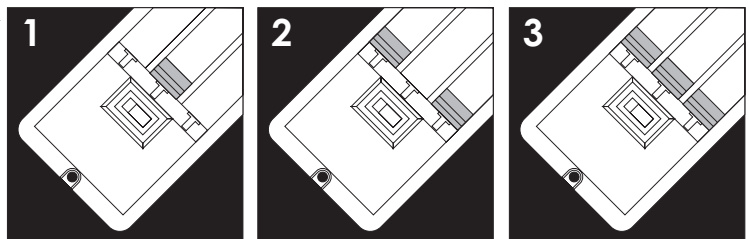


|                 |  | A                  | B    | C    | D    | E                  | F | G | H |
|-----------------|--|--------------------|------|------|------|--------------------|---|---|---|
| <b>5640/001</b> |  | 12v 8w, one tube   |      |      |      | Weight 300g/10.6oz |   |   |   |
| <b>5640/002</b> |  | 12v 16w, two tubes |      |      |      |                    |   |   |   |
| METRIC (mm)     |  | 381                | 24   | 78   | 367  | 4.5                |   |   |   |
| IMPERIAL (ins)  |  | 15.0               | 0.95 | 3.07 | 14.5 | 0.18               |   |   |   |



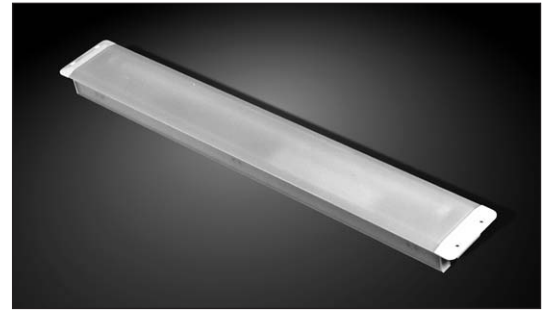
|                  |  | A                     | B    | C    | D    | E                | F | G | H |
|------------------|--|-----------------------|------|------|------|------------------|---|---|---|
| <b>5637/001</b>  |  | 12v 8w (Single tube)  |      |      |      | Weight 285g/10oz |   |   |   |
| <b>5637/002</b>  |  | 12v 16w (Two tubes)   |      |      |      | Weight 310g/11oz |   |   |   |
| <b>5637/0021</b> |  | 24v 16w (Two tubes)   |      |      |      | Weight 310g/11oz |   |   |   |
| <b>5637/003</b>  |  | 12v 24w (Three tubes) |      |      |      | Weight 337g/12oz |   |   |   |
| METRIC (mm)      |  | 381                   | 24   | 78   | 117  | 420              |   |   |   |
| IMPERIAL (ins)   |  | 15                    | 0.95 | 3.07 | 4.61 | 16.5             |   |   |   |
| <b>5637/004</b>  |  | Ivory, lamp surround  |      |      |      |                  |   |   |   |
| <b>5637/005</b>  |  | White, lamp surround  |      |      |      |                  |   |   |   |

A new concept in lighting which enables 1, 2 or 3 tubes to be used in the same fitting to change light levels & ensure reliability when tubes fail.



|                 |  | A                  | B    | C    | D | E                 | F | G | H |
|-----------------|--|--------------------|------|------|---|-------------------|---|---|---|
| <b>5608/002</b> |  | 12v 16w, Two tubes |      |      |   | Weight 540g/1.2lb |   |   |   |
| METRIC (mm)     |  | 364                | 34   | 118  |   |                   |   |   |   |
| IMPERIAL (ins)  |  | 14.3               | 1.34 | 4.65 |   |                   |   |   |   |

|                 |       | A                   | B    | C    | D    | E                         | F    | G    | H |  |
|-----------------|-------|---------------------|------|------|------|---------------------------|------|------|---|--|
| <b>5639/002</b> |       | <b>24 Volt, 18w</b> |      |      |      | <b>Weight 1.2kg/2.7lb</b> |      |      |   |  |
| METRIC          | (mm)  | 715                 | 46   | 100  | 6    | 680                       | 50   | 4.5  |   |  |
| IMPERIAL        | (ins) | 28.2                | 1.81 | 3.94 | 0.24 | 26.8                      | 1.97 | 0.18 |   |  |



A combination halogen/fluorescent fitting for use in insulated vehicles or in applications where temperatures may vary frequently between -25°C and +40°C. At cold temperatures halogen lighting is used to combat condensation fog, but as the temperature inside the unit rises, it switches over to fluorescent operation. Sealed to IP65 to enable high pressure cleaning.

|                 |       | A                      | B    | C    | D    | E                        | F    | G    | H    |  |
|-----------------|-------|------------------------|------|------|------|--------------------------|------|------|------|--|
| <b>5614/012</b> |       | <b>12v (1.8A max)</b>  |      |      |      | <b>Weight 230g/8.1oz</b> |      |      |      |  |
| <b>5614/024</b> |       | <b>24v (900mA max)</b> |      |      |      | <b>Weight 230g/8.1oz</b> |      |      |      |  |
| METRIC          | (mm)  | 164                    | 40.0 | 8.0  | 103  | 50.0                     | 144  | 121  | 82.0 |  |
| IMPERIAL        | (ins) | 6.46                   | 1.58 | 0.32 | 4.06 | 1.97                     | 5.67 | 4.76 | 3.23 |  |



|                 |       | A                          | B    | C    | D    | E                          | F    | G | H |  |
|-----------------|-------|----------------------------|------|------|------|----------------------------|------|---|---|--|
| <b>5609/001</b> |       | <b>12v 16w Two tubes</b>   |      |      |      | <b>Weight 500g/1.1lb</b>   |      |   |   |  |
| <b>5609/002</b> |       | <b>24v 16w Two tubes</b>   |      |      |      |                            |      |   |   |  |
| METRIC          | (mm)  | 365                        | 20   | 115  | 20   | 310                        | 80   |   |   |  |
| IMPERIAL        | (ins) | 14.4                       | 0.8  | 4.53 | 0.8  | 12.2                       | 3.15 |   |   |  |
| <b>5611/001</b> |       | <b>12v 20w Single tube</b> |      |      |      | <b>Weight 1.41kg/3.1lb</b> |      |   |   |  |
| <b>5611/002</b> |       | <b>24v 20w Single tube</b> |      |      |      |                            |      |   |   |  |
| METRIC          | (mm)  | 723                        | 18   | 190  | 36   | 662                        | 135  |   |   |  |
| IMPERIAL        | (ins) | 28.5                       | 0.71 | 7.5  | 1.42 | 26.1                       | 5.32 |   |   |  |

