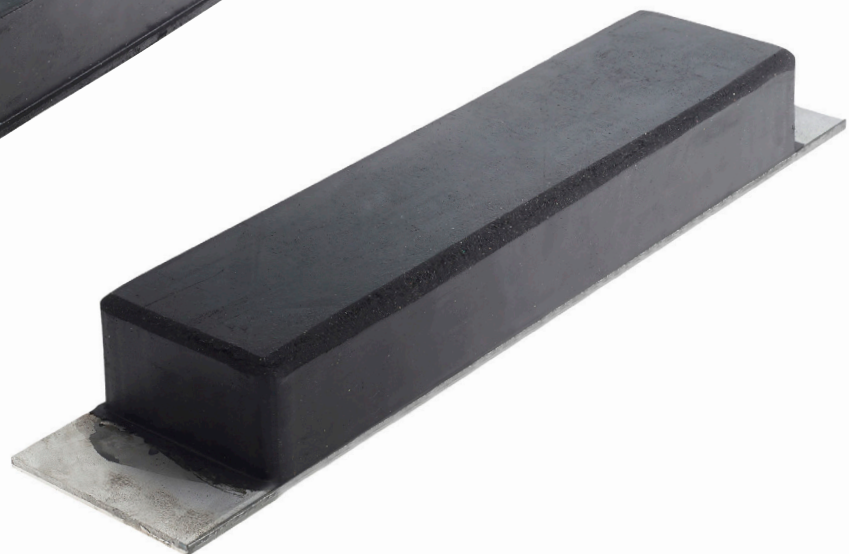
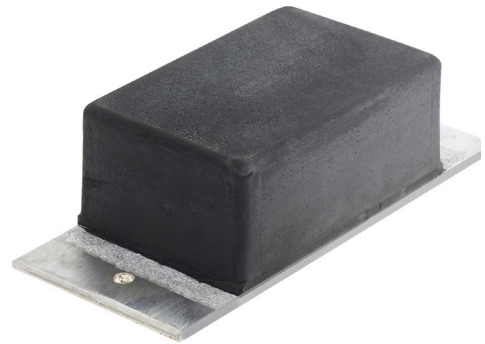


Tipper Pads



Withstanding heavy and repetitive loads, tipper pads are constructed with rubber and an aluminium or steel base plate, protecting chassis of tipping lorries.

Knowing your commercial body fittings are coming from a reputable source is the only way to ensure excellence has been established at every point of manufacture.

Supply Without Compromise

9922/003



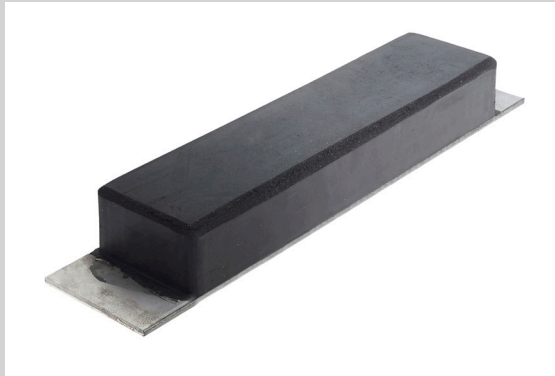
| | |
|------------------|------------|
| Material | Mild Steel |
| Length | 150mm |
| Width | 40mm |
| Stand-Off | 5mm |
| Rubber Length | 100mm |
| Rubber Width | 39mm |
| Rubber Thickness | 23.5mm |
| Fixing | Weld On |

9922/101



| | |
|------------------|------------|
| Material | Mild Steel |
| Length | 355mm |
| Width | 75mm |
| Stand-Off | 3mm |
| Rubber Length | 287mm |
| Rubber Width | 75mm |
| Rubber Thickness | 29.5mm |
| Fixing | Weld On |

9922/102



| | |
|------------------|-----------|
| Material | Aluminium |
| Length | 355mm |
| Width | 75mm |
| Stand-Off | 5mm |
| Rubber Length | 288mm |
| Rubber Width | 75mm |
| Rubber Thickness | 39mm |
| Fixing | Weld On |

9922/103



| | |
|------------------|------------|
| Material | Mild Steel |
| Length | 355mm |
| Width | 75mm |
| Stand-Off | 3mm |
| Rubber Length | 288mm |
| Rubber Width | 75mm |
| Rubber Thickness | 39mm |
| Fixing | Weld On |

9922/106



| | |
|------------------|-----------|
| Material | Aluminium |
| Length | 180mm |
| Width | 75mm |
| Stand-Off | 5mm |
| Rubber Length | 116mm |
| Rubber Width | 75mm |
| Rubber Thickness | 30mm |
| Fixing | Bolt On |

9922/107



| | |
|------------------|-----------|
| Material | Aluminium |
| Length | 180mm |
| Width | 75mm |
| Stand-Off | 4mm |
| Rubber Length | 116mm |
| Rubber Width | 75mm |
| Rubber Thickness | 46mm |
| Fixing | Bolt On |

9922/108



| | |
|------------------|-----------|
| Material | Aluminium |
| Length | 180mm |
| Width | 75mm |
| Stand-Off | 4mm |
| Rubber Length | 116mm |
| Rubber Width | 75mm |
| Rubber Thickness | 46mm |
| Fixing | Bolt On |

9922/201



| | |
|------------------|-----------|
| Material | Aluminium |
| Length | 355mm |
| Width | 75mm |
| Stand-Off | 5mm |
| Rubber Length | 288mm |
| Rubber Width | 75mm |
| Rubber Thickness | 30mm |
| Fixing | Weld On |

FORMEEGA

6688/25001



Adjustable fixing system with sloping pad

| | |
|------------------|--------------|
| Material | Rubber |
| Length | 420mm |
| Width | 190 - 230mm |
| Stand-Off | 90mm |
| Pad | Sloping |
| Manufacturer P/N | 40 05 25 001 |

6688/24002



Adjustable fixing system with flat pad

| | |
|------------------|--------------|
| Material | Rubber |
| Length | 420mm |
| Width | 190 - 230mm |
| Stand-Off | 64mm |
| Pad | Flat |
| Manufacturer P/N | 40 07 25 002 |

6688/24001



Replacement sloping pad

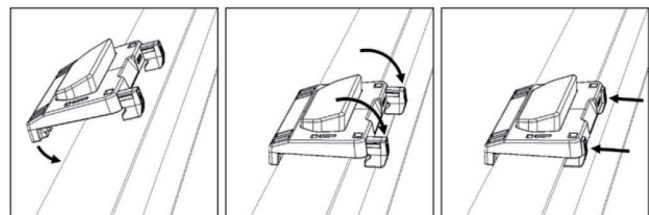
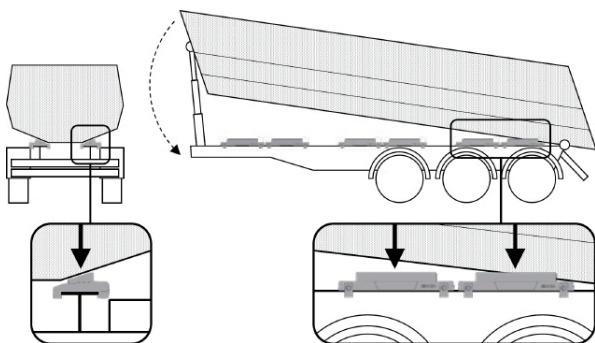
| | |
|------------------|--------------|
| Material | Rubber |
| Length | 280mm |
| Width | 104mm |
| Stand-Off | 42 - 67mm |
| Manufacturer P/N | 40 07 24 001 |

6688/124003



Replacement flat pad

| | |
|------------------|--------------|
| Material | Rubber |
| Length | 280mm |
| Width | 104mm |
| Stand-Off | 64mm |
| Manufacturer P/N | 40 07 24 003 |



Formeega features adjustable positioning and quick mounting through a clamping system, eliminating welding, bolting, or gluing.

Head Office

Centaur Works, Green Lane,
Walsall, West Midlands,
WS2 8HG. United Kingdom.

Contact

e sales@albert-jagger.co.uk
t +44 (0) 1922 471 000

www.albertjagger.co.uk