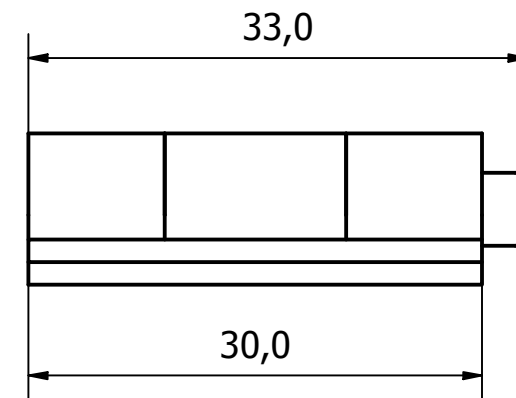
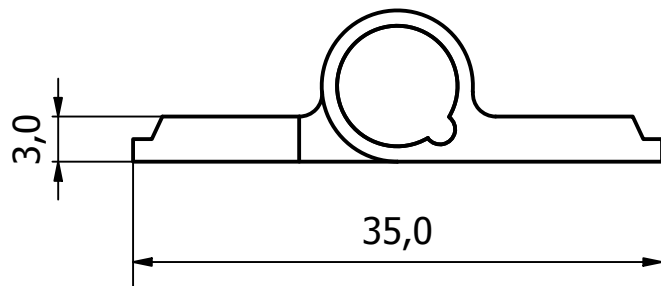
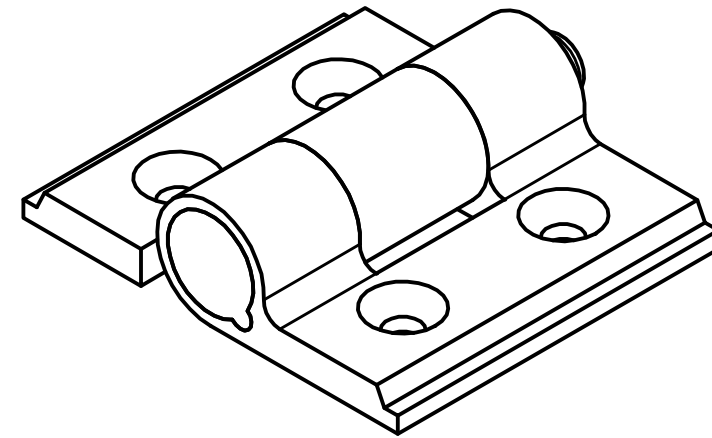


4 x Ø6,0 HOLES \sphericalangle Ø3.0 @ 90°



NOTE:
ADJUSTABLE TORQUE: 0-1Nm

GENERAL TOLERANCES ON LENGTHS	
0.5 - 6 ± 0.1mm	
6 - 30 ± 0.2mm	
30 - 120 ± 0.3mm	
120 - 400 ± 0.5mm	
400 - 1000 ± 0.8mm	
1000 - 2000 ± 1.2mm	
2000 - 4000 ± 2.0mm	

ALBERT JAGGER LTD
GREEN LANE
WALSALL PHONE: 01922 471000
WEST MIDLANDS FAX: 01922 648021
WS2 8HG

THIS DRAWING & THE DESIGN SHOWN ARE THE PROPERTY OF ALBERT JAGGER LTD AND MUST NOT BE USED OR COPIED BY A THIRD PARTY WITHOUT PERMISSION

DRAWN BY
A.S

CHECKED BY
A.P



SCALE
2 : 1

MATERIAL
6060 T5 ALUMINIUM

MASS
0.012 kg

FINISH
CLEAR ANODIZED

Date
26/11/2018

ALL DIMS IN MM UNLESS STATED DO NOT SCALE

A3



ALUMINIUM FRICTION HINGE 30mm x 35mm		Edition	Sheet
0486-7214160	1	1 / 1	

1	VALIDATION COMPLETE	03/01/19	A.P
REV	DESCRIPTION	DATE	APPROVED