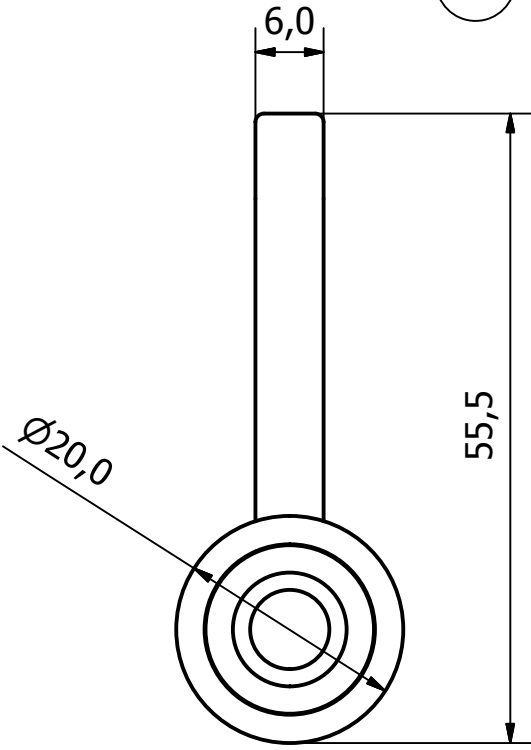
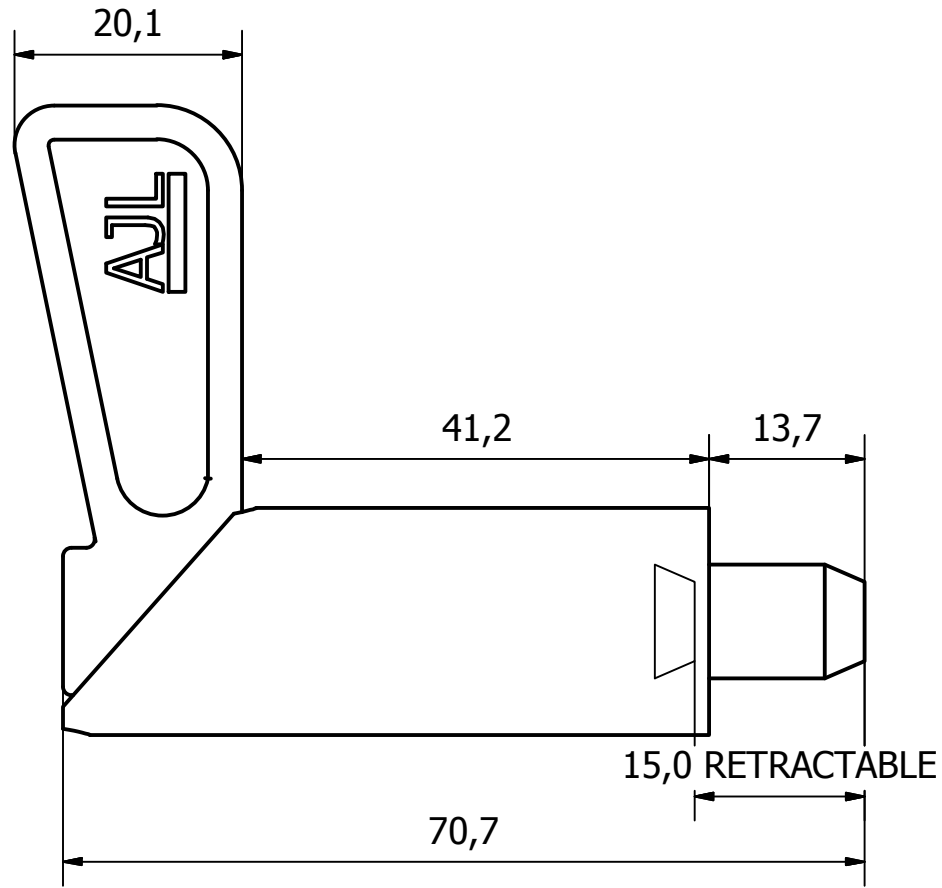
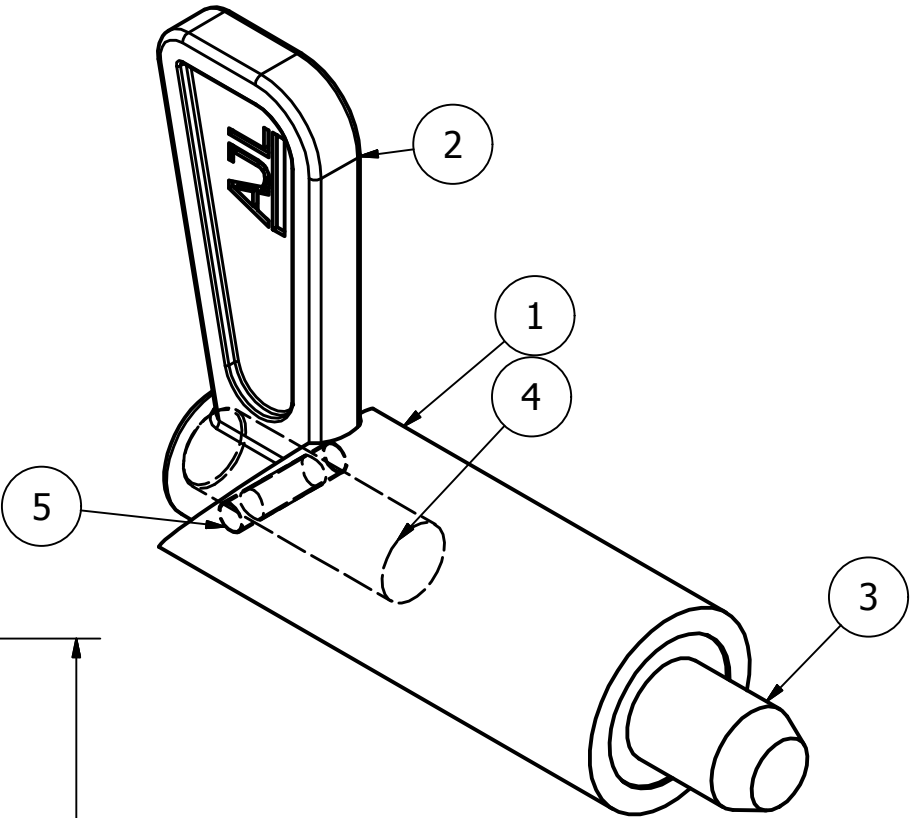


PARTS LIST			
ITEM	QTY	PART NUMBER	DESCRIPTION
1	1	0838-001-1	M/STEEL BOLT BODY
2	1	0838-001-2	M/STEEL LEVER
3	1	0838-001-3	M/STEEL BOLT
4	1	0838-001-4	M/STEEL BOLT PIN
5	1	0838-001-5	M/STEEL LEVER PIN



1	VALIDATION COMPLETE	29/03/17	A.P
REV	DESCRIPTION	DATE	APPROVED
U.F	A.P	19/12/2016	A3
SCALE	MATERIAL	MASS	FINISH
1.5:1	-	0.143 kg	NATURAL
DRAWN BY		Date	ALL DIMS IN MM UNLESS STATED DO NOT SCALE
U.F		19/12/2016	
CHECKED BY		WELD ON SHOOT BOLT	
A.P		0838-001	
Edition		Sheet	
1		1 / 1	

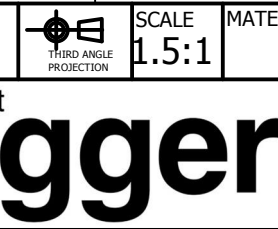
GENERAL TOLERANCES ON LENGTHS	
0.5 - 6 ± 0.1mm	
6 - 30 ± 0.2mm	
30 - 120 ± 0.3mm	
120 - 400 ± 0.5mm	
400 - 1000 ± 0.8mm	
1000 - 1200 ± 1.2mm	
2000 - 4000 ± 2.0mm	

ALBERT JAGGER LTD
 GREEN LANE
 WALSALL PHONE: 01922 471000
 WEST MIDLANDS FAX: 01922 648021
 WS2 8HG

THIS DRAWING & THE DESIGN SHOWN ARE THE PROPERTY OF ALBERT JAGGER LTD AND MUST NOT BE USED OR COPIED BY A THIRD PARTY WITHOUT PERMISSION

DRAWN BY
U.F

CHECKED BY
A.P



SCALE 1.5:1

MATERIAL -

MASS 0.143 kg

FINISH NATURAL

Date 19/12/2016

ALL DIMS IN MM UNLESS STATED DO NOT SCALE

WELD ON SHOOT BOLT

0838-001

Edition 1

Sheet 1 / 1