

6 1 5 1 4 3 1 2 1 1

PARTS LIST			
ITEM	QTY	PART NUMBER	DESCRIPTION
1	1	0838-004-1	M/STEEL SPRING BOLT BODY
2	1	0838-004-2	M/STEEL SPRING BOLT PULL ROD
3	1	0838-004-5	M/STEEL GREASE NIPPLE
4	1	0838-004-3	M/STEEL LEVER PIN
5	1	0838-004-4	M/STEEL RETAINING PIN

D

D

C

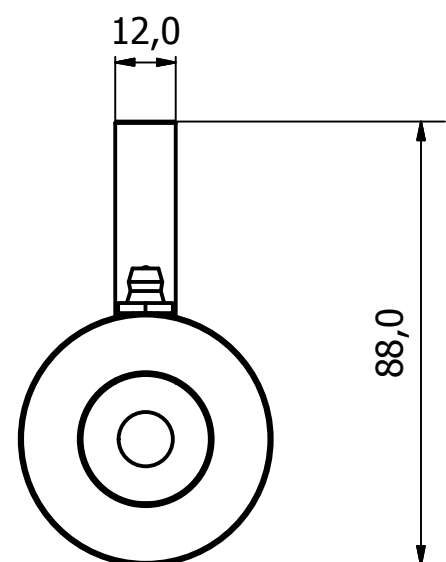
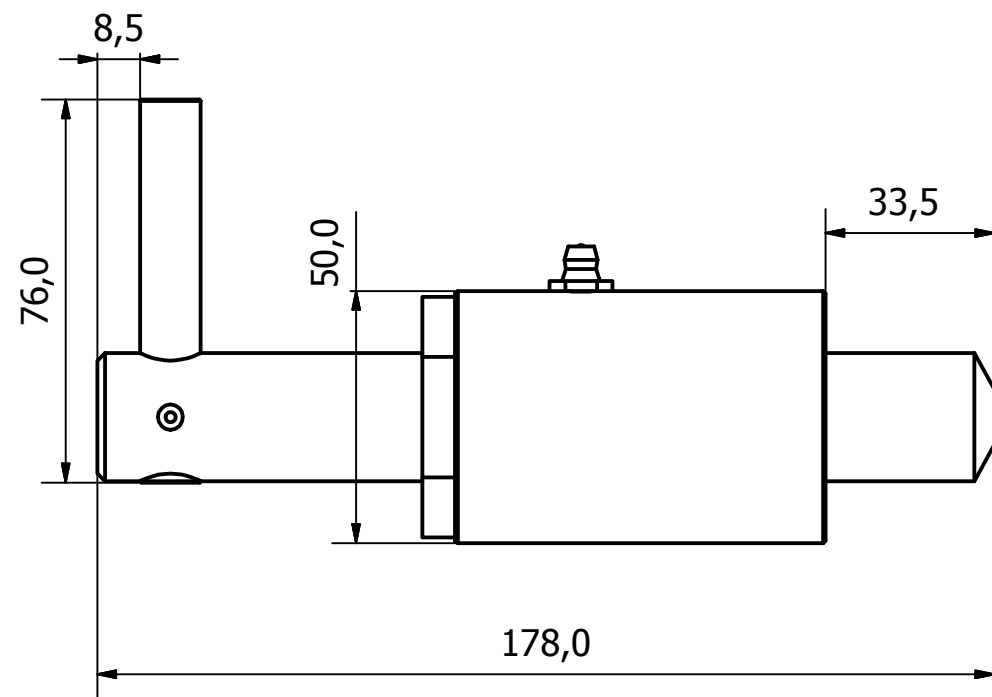
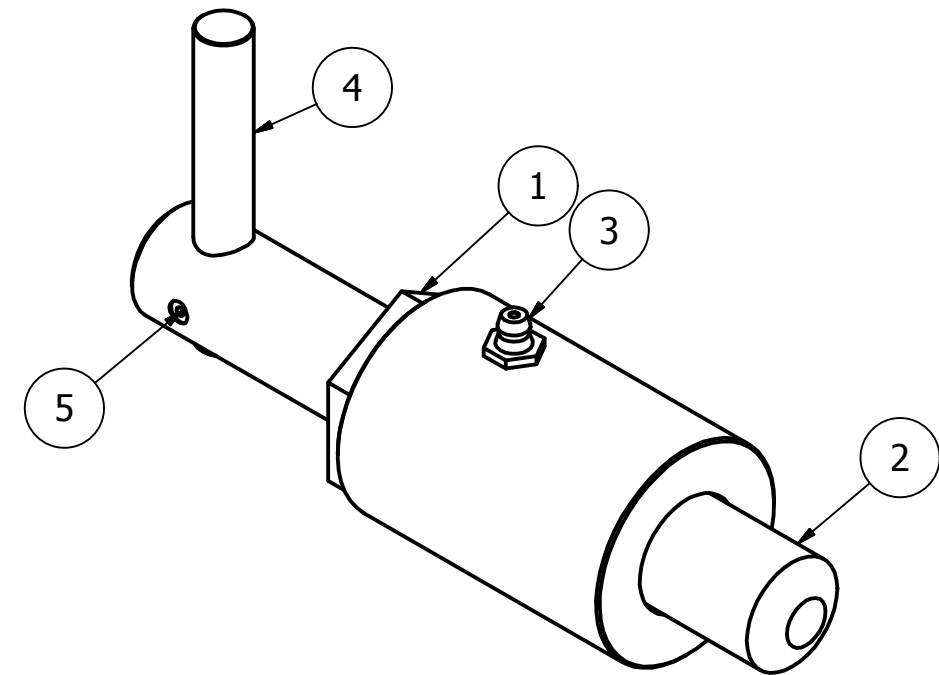
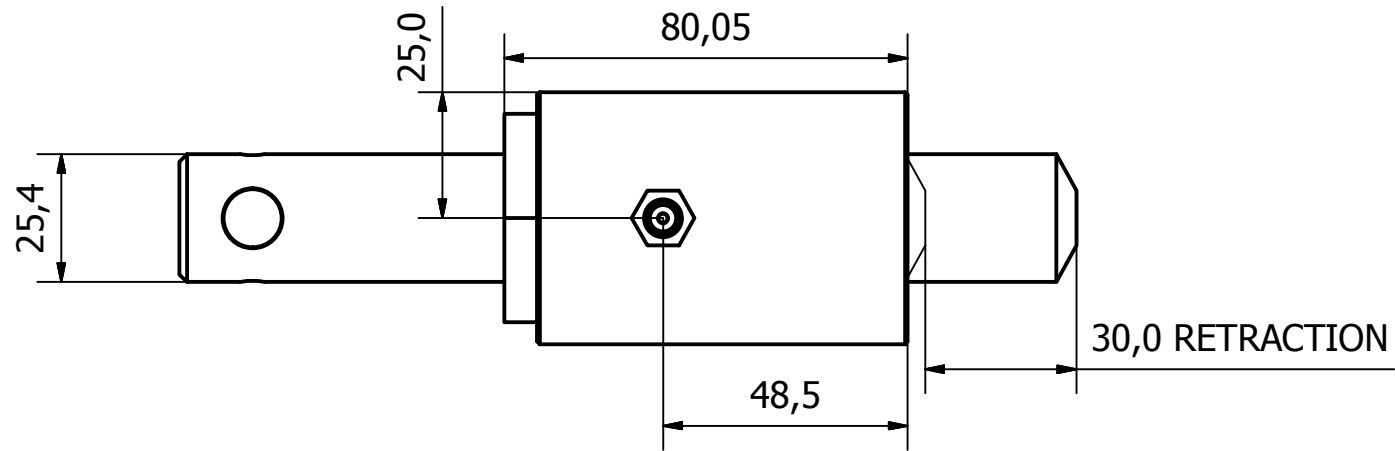
C

B

B

A

A



1	VALIDATION COMPLETE	29/03/17	A.P
REV	DESCRIPTION	DATE	APPROVED

GENERAL TOLERANCES ON LENGTHS
0.5 - 6 ± 0.1mm
6 - 30 ± 0.2mm
30 - 120 ± 0.3mm
120 - 400 ± 0.5mm
400 - 1000 ± 0.8mm
1000 - 1200 ± 1.2mm
2000 - 4000 ± 2.0mm

ALBERT JAGGER LTD
 GREEN LANE
 WALSALL PHONE: 01922 471000
 WEST MIDLANDS FAX: 01922 648021
 WS2 8HG

THIS DRAWING & THE DESIGN SHOWN ARE THE PROPERTY OF ALBERT JAGGER LTD AND MUST NOT BE USED OR COPIED BY A THIRD PARTY WITHOUT PERMISSION

DRAWN BY
U.F

CHECKED BY
A.P



SCALE
1:1.5

MATERIAL
-

MASS
1.609 kg

FINISH
NATURAL

Date
04/01/2017

ALL DIMS IN MM UNLESS STATED DO NOT SCALE

A3



H/DUTY SPRING BOLT - LEVER PIN	
0838-004	Edition 1 / Sheet 1 / 1

6 1 5 1 4 3 1 2 1 1