

6 1 5 1 4 3 1 2 1 1

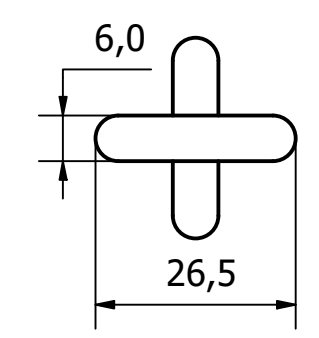
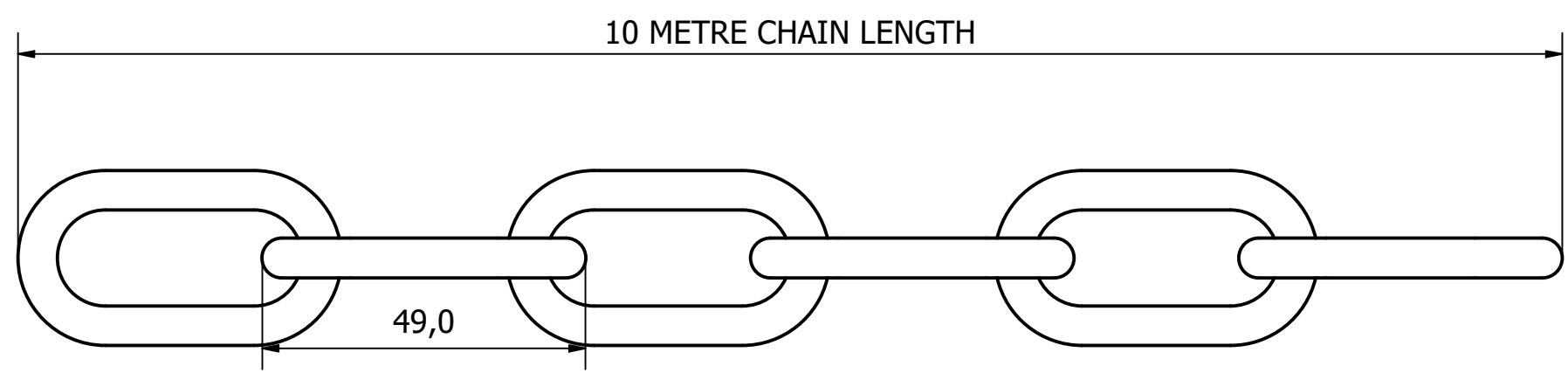
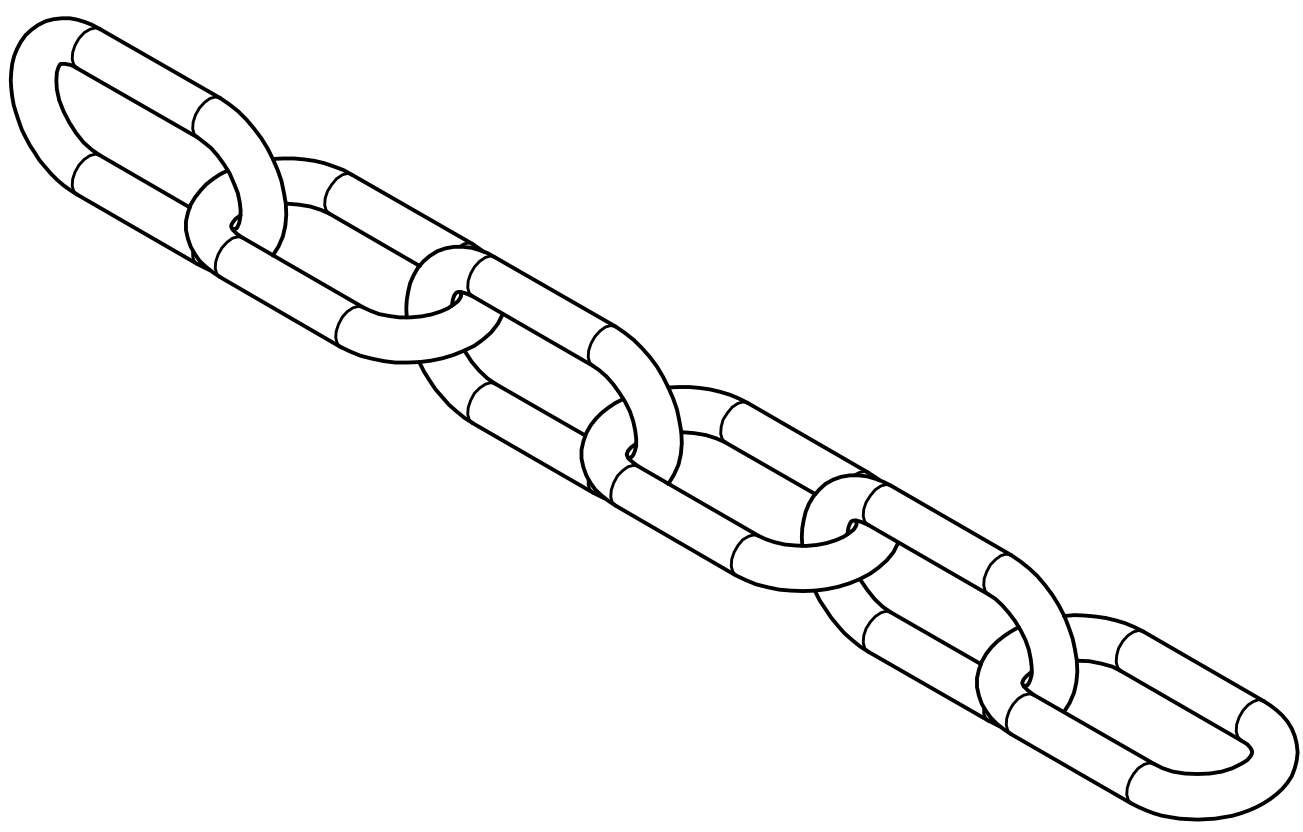
D D

C C

B B

A A

6 1 5 1 4 3 1 2 1 1



NOTE:
SAFE WORKING LOAD - 290kg *
(* UNCERTIFIED TEST LOAD)

REV	DESCRIPTION	DATE	APPROVED
2	NOTE ADDED	26/01/21	U.F
1	VALIDATION COMPLETE	12/07/19	A.P

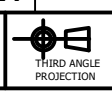
GENERAL TOLERANCES ON LENGTHS	
0.5 - 6 ± 0.1mm	
6 - 30 ± 0.2mm	
30 - 120 ± 0.3mm	
120 - 400 ± 0.5mm	
400 - 1000 ± 0.8mm	
1000 - 2000 ± 1.2mm	
2000 - 4000 ± 2.0mm	

ALBERT JAGGER LTD
GREEN LANE
WALSALL PHONE: 01922 471000
WEST MIDLANDS FAX: 01922 648021
WS2 8HG

THIS DRAWING & THE DESIGN SHOWN
ARE THE PROPERTY OF ALBERT JAGGER LTD
AND MUST NOT BE USED OR COPIED BY A
THIRD PARTY WITHOUT PERMISSION

DRAWN BY
A.S

CHECKED BY
A.P



SCALE
1 : 1

MATERIAL
M/STEEL

MASS
0.146 kg

FINISH
ZINC

Date
10/05/2019

ALL DIMS IN MM
UNLESS STATED
DO NOT SCALE

A3



ZINC PLATED STRAIGHT LINK CHAIN
0899-16536
Edition 2
Sheet 1 / 1