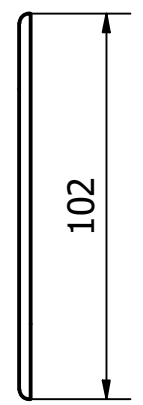
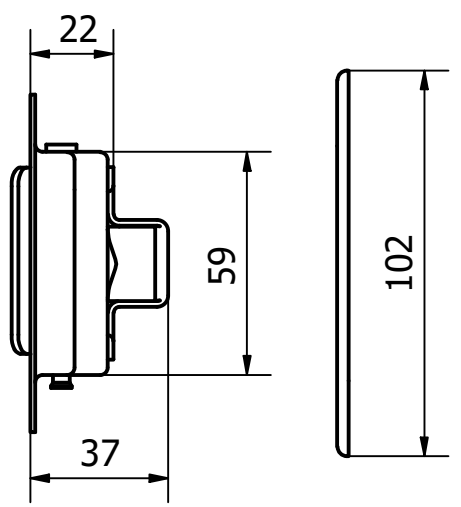
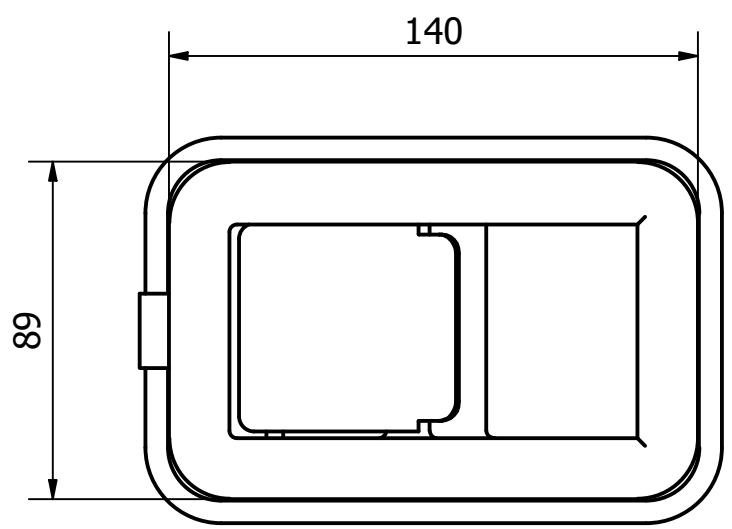
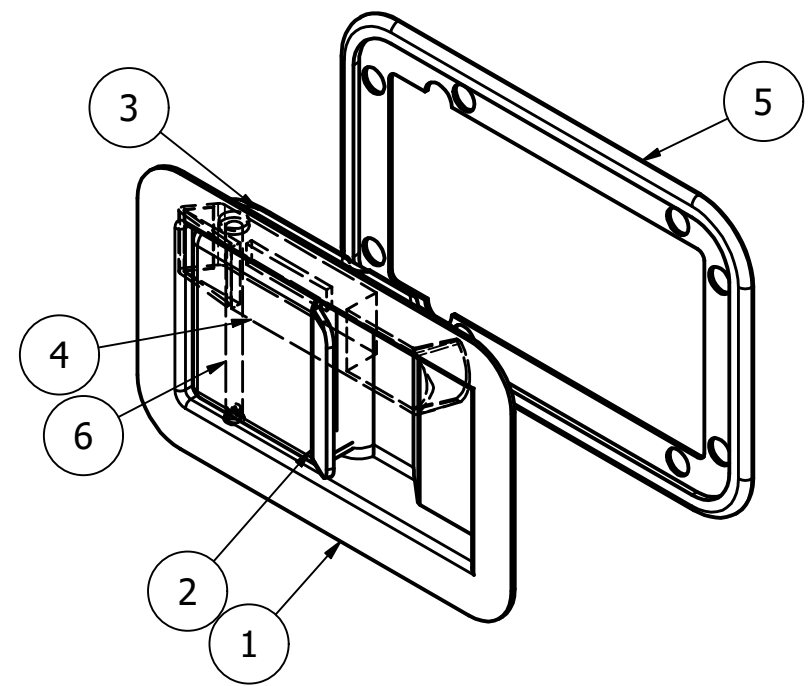
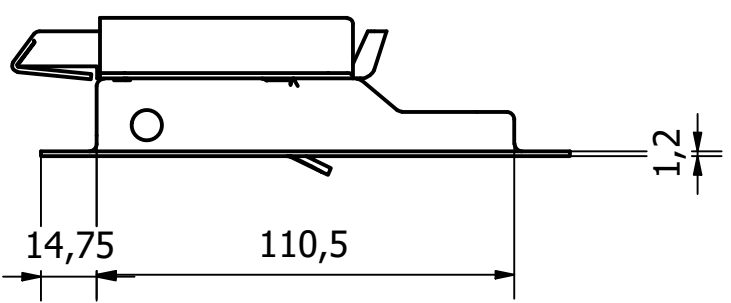
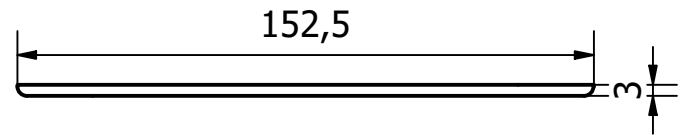


PARTS LIST			
ITEM	QTY	PART NUMBER	DESCRIPTION
1	1	0907-001-1	M/STEEL PADDLE LOCK MAIN BODY - Z/P
2	1	0907-001-2	S/STEEL RELEASE HANDLE - Z/C PASSIVATED
3	1	0907-001-3	M/STEEL TONGUE COVER - Z/P
4	1	0907-001-5	M/STEEL TONGUE Z/C PASSIVATED
5	1	0907-001-4	BLACK PLASTIC GASKET
6	1	0907-001-6	M/STEEL RIVET - Z/C PASSIVATED



1	VALIDATION COMPLETE	04/06/21	U.F
REV	DESCRIPTION	DATE	APPROVED

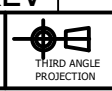
GENERAL TOLERANCES ON LENGTHS
0.5 - 6 ± 0.1mm
6 - 30 ± 0.2mm
30 - 120 ± 0.3mm
120 - 400 ± 0.5mm
400 - 1000 ± 0.8mm
1000 - 1200 ± 1.2mm
2000 - 4000 ± 2.0mm

ALBERT JAGGER LTD
 GREEN LANE
 WALSALL PHONE: 01922 471000
 WEST MIDLANDS FAX: 01922 648021
 WS2 8HG

THIS DRAWING & THE DESIGN SHOWN ARE THE PROPERTY OF ALBERT JAGGER LTD AND MUST NOT BE USED OR COPIED BY A THIRD PARTY WITHOUT PERMISSION

DRAWN BY
K.M

CHECKED BY
A.P



SCALE
1 : 2

MATERIAL
SEE TABLE

MASS
0.481 kg

FINISH
SEE TABLE

Date
21/01/2021

ALL DIMS IN MM UNLESS STATED DO NOT SCALE

A3



M/STEEL PADDLE LOCK W/KEY	
0907-001	Edition 1 / Sheet 1 / 1