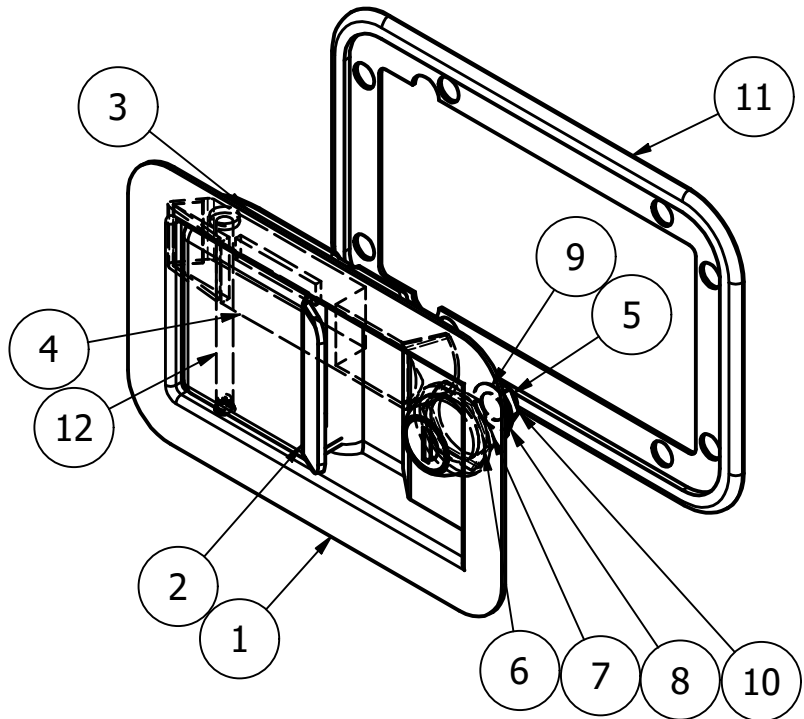


PARTS LIST			
ITEM	QTY	PART NUMBER	DESCRIPTION
1	1	0907-010-1	M/STEEL PADDLE LOCK MAIN BODY - Z/P
2	1	0907-010-2	S/STEEL RELEASE HANDLE - Z/C PASSIVATED
3	1	0907-010-3	M/STEEL TONGUE COVER - Z/P
4	1	0907-010-8	M/STEEL TONGUE Z/C PASSIVATED
5	1	0907-010-5	M/STEEL LOCK BARREL - Z/C PASSIVATE
6	1	0907-010-6	M/STEEL WASHER - 26.3 O/D - GOLD PASSIVATE
7	1	0907-010-7	M/STEEL HEX NUT 21.8 A/F - GOLD PASSIVATE
8	1	0907-010-9	M/STEEL LOCKING LATCH - GOLD PASSIVATE
9	1	0907-010-10	BLACK PLASTIC WASHER 13.5 O/D
10	1	0907-010-11	M/STEEL HEX NUT 12MM A/F - GOLD PASSIVATE
11	1	0907-010-4	BLACK PLASTIC GASKET
12	1	0907-010-12	M/STEEL RIVET - Z/C PASSIVATED



1	VALIDATION COMPLETE	04/06/21	U.F
REV	DESCRIPTION	DATE	APPROVED

GENERAL TOLERANCES ON LENGTHS 0.5 - 6 ± 0.1mm 6 - 30 ± 0.2mm 30 - 120 ± 0.3mm 120 - 400 ± 0.5mm 400 - 1000 ± 0.8mm 1000 - 1200 ± 1.2mm 2000 - 4000 ± 2.0mm
--

ALBERT JAGGER LTD
 GREEN LANE
 WALSALL PHONE: 01922 471000
 WEST MIDLANDS FAX: 01922 648021
 WS2 8HG

THIS DRAWING & THE DESIGN SHOWN
 ARE THE PROPERTY OF ALBERT JAGGER LTD
 AND MUST NOT BE USED OR COPIED BY A
 THIRD PARTY WITHOUT PERMISSION

DRAWN BY
K.M

CHECKED BY
A.P



SCALE
1 : 2

MATERIAL
SEE TABLE

MASS
0.541 kg

FINISH
SEE TABLE

Date
21/01/2021

ALL DIMS IN MM
UNLESS STATED
DO NOT SCALE

A3



M/STEEL PADDLE LOCK W/KEY

0907-010

Edition
1

Sheet
1 / 1