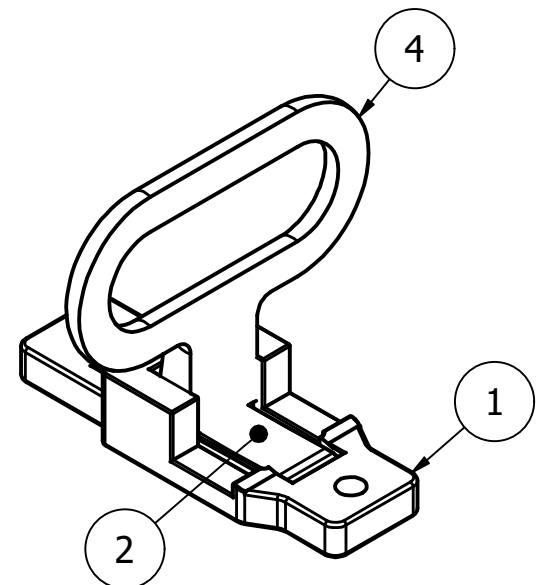


PARTS LIST			
ITEM	QTY	PART NUMBER	DESCRIPTION
1	1	0979-008-1	M/STEEL STEP BODY - BLACK E-COTE
2	1	0979-008-3	S/S SPRING PLATE - CHROME POLISHED
3	1	0979-008-4	M/S RETAINING PIN - BLACK E-COTE
4	1	0979-008-2	M/STEEL STEP HANDLE - BLACK E-COTE



1	VALIDATION COMPLETE	05/03/2020	A.P
REV	DESCRIPTION	DATE	APPROVED
K.M	A.P	27/02/2020	A3
DRAWN BY	CHECKED BY	SCALE	MATERIAL
K.M	A.P	1 : 2	SEE TABLE
MASS	FINISH	Date	ALL DIMS IN MM UNLESS STATED DO NOT SCALE
0.557 kg	SEE NOTE	27/02/2020	
M/STEEL FOLDING STEP			Edition
0979-008			1
			Sheet
			1 / 1

GENERAL TOLERANCES ON LENGTHS
0.5 - 6 ± 0.1mm
6 - 30 ± 0.2mm
30 - 120 ± 0.3mm
120 - 400 ± 0.5mm
400 - 1000 ± 0.8mm
1000 - 2000 ± 1.2mm
2000 - 4000 ± 2.0mm

ALBERT JAGGER LTD  
 GREEN LANE  
 WALSALL PHONE: 01922 471000  
 WEST MIDLANDS FAX: 01922 648021  
 WS2 8HG

THIS DRAWING & THE DESIGN SHOWN ARE THE PROPERTY OF ALBERT JAGGER LTD AND MUST NOT BE USED OR COPIED BY A THIRD PARTY WITHOUT PERMISSION

albert  
**Jagger**

\* BLACK E-COTE FINISH - 20 MICRONS THICK