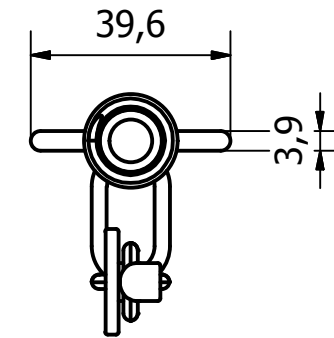
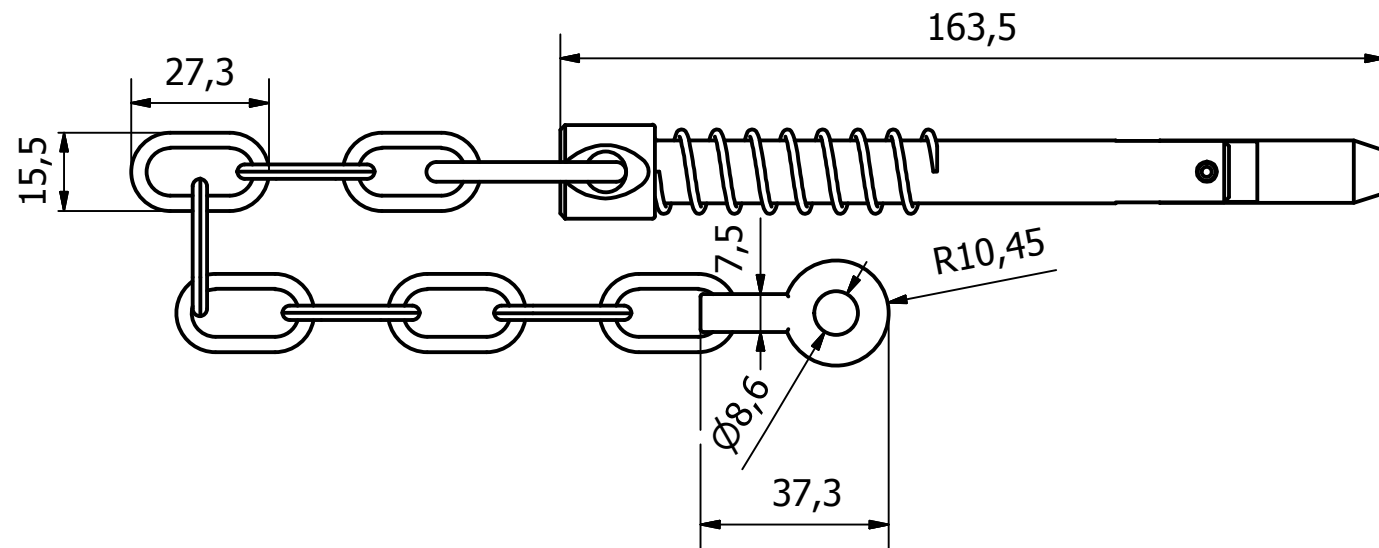
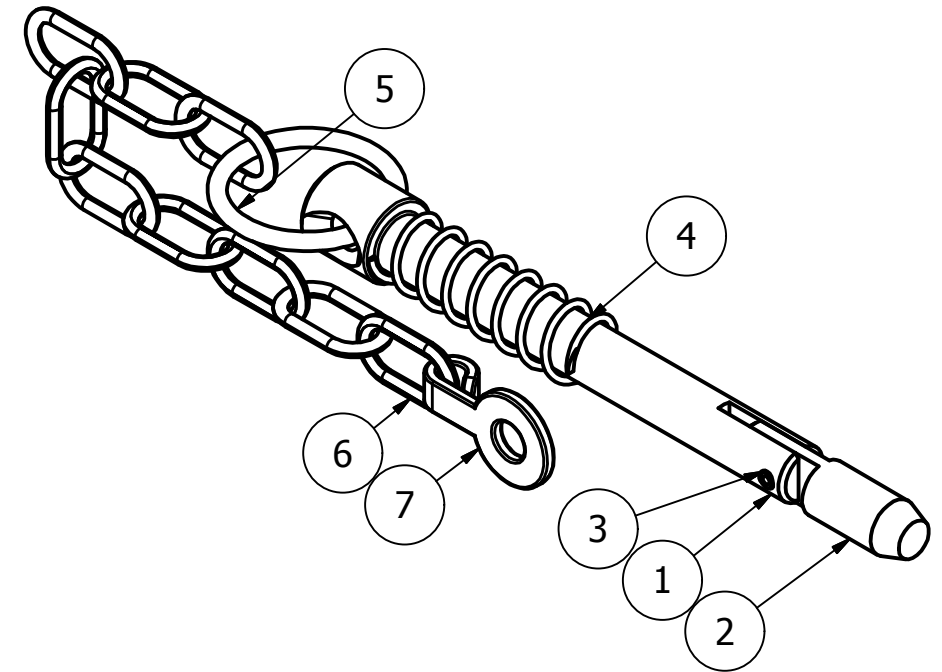
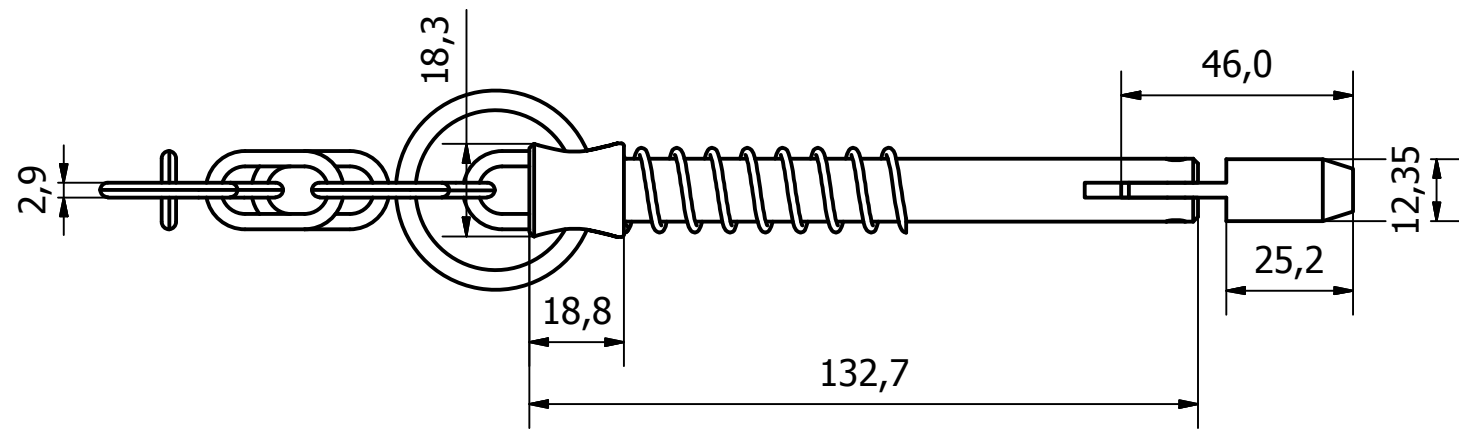


PARTS LIST			
ITEM	QTY	PART NUMBER	DESCRIPTION
1	1	1055-3092-1	M/STEEL PIN BODY - ZINC AND CLEAR PASSIVATED
2	1	1055-3092-2	S/STEEL TIP - NATURAL
3	1	1055-3092-3	M/STEEL TIP RETAINING PIN - ZINC AND CLEAR PASSIVATED
4	1	1055-3092-4	M/STEEL COIL SPRING - ZINC AND CLEAR PASSIVATED
5	1	1055-3092-5	M/STEEL CHAIN RING - ZINC AND CLEAR PASSIVATED
6	9	1055-3092-6	M/STEEL CHAIN LINK - ZINC AND CLEAR PASSIVATED
7	1	1055-3080-7	M/STEEL DARLASTON WASHER - ZINC AND CLEAR PASSIVATED



1	VALIDATION COMPLETE	19/10/17	A.P
REV	DESCRIPTION	DATE	APPROVED

GENERAL TOLERANCES ON LENGTHS
0.5 - 6 ± 0.1mm
6 - 30 ± 0.2mm
30 - 120 ± 0.3mm
120 - 400 ± 0.5mm
400 - 1000 ± 0.8mm
1000 - 2000 ± 1.2mm
2000 - 4000 ± 2.0mm

ALBERT JAGGER LTD
GREEN LANE
WALSALL PHONE: 01922 471000
WEST MIDLANDS FAX: 01922 648021
WS2 8HG

THIS DRAWING & THE DESIGN SHOWN
ARE THE PROPERTY OF ALBERT JAGGER LTD
AND MUST NOT BE USED OR COPIED BY A
THIRD PARTY WITHOUT PERMISSION

DRAWN BY

U.F

CHECKED BY

A.P



SCALE
1:1.5

MATERIAL
SEE TABLE

MASS
0.218 kg

FINISH
SEE TABLE

Date
05/10/2017

ALL DIMS IN MM
UNLESS STATED
DO NOT SCALE

A3



M/STEEL SWORD PIN - 163.5 O/A

1055-3092

Edition
1

Sheet
1 / 1