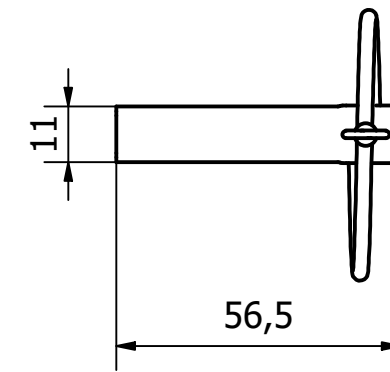
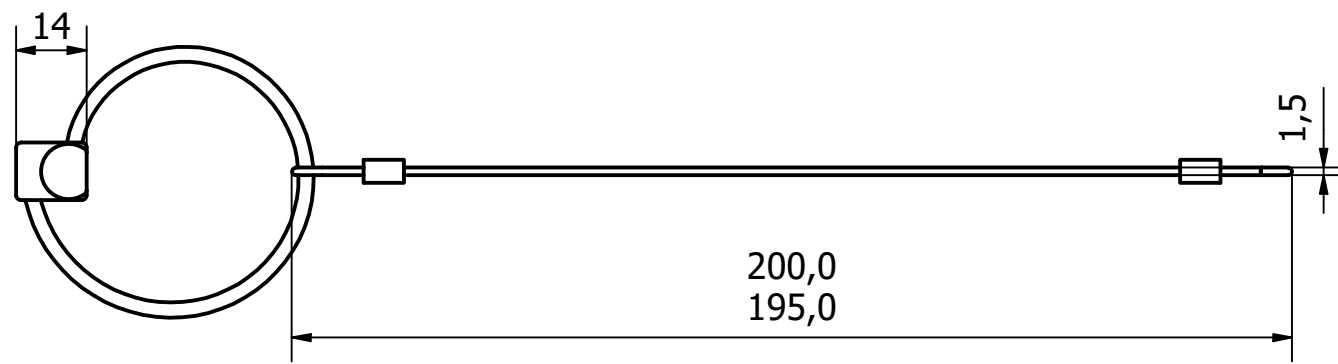
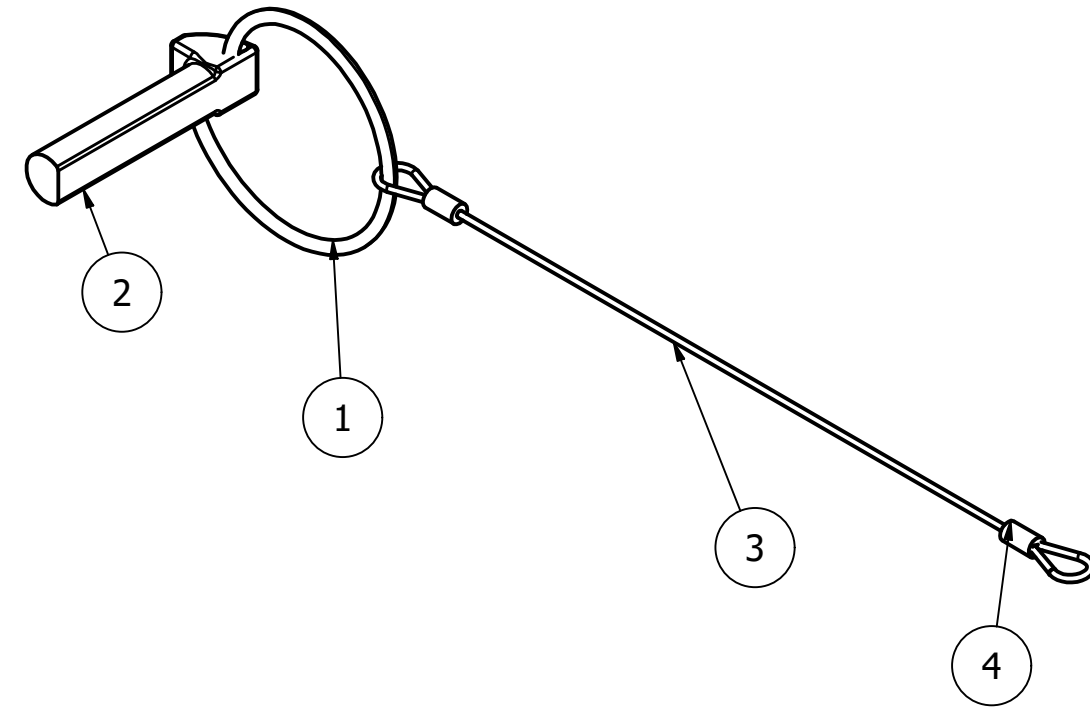


PARTS LIST			
ITEM	QTY	PART NUMBER	DESCRIPTION
1	1	1056-903-1	M/STEEL SPRING RING - ZINC PLATED/YELLOW PASSIVATED
2	1	1056-903-2	M/STEEL PIN - ZINC PLATED/YELLOW PASSIVATED
3	1	1056-903-3	STEEL WIRE TAG
4	2	1056-903-4	M/STEEL FERRULE - ZINC PLATED



NOTE:  
RING DIAMETER - 52mm  
RING THICKNESS - 3mm

GENERAL TOLERANCES ON LENGTHS
0.5 - 6 ± 0.1mm
6 - 30 ± 0.2mm
30 - 120 ± 0.3mm
120 - 400 ± 0.5mm
400 - 1000 ± 0.8mm
1000 - 2000 ± 1.2mm
2000 - 4000 ± 2.0mm

ALBERT JAGGER LTD  
GREEN LANE  
WALSALL PHONE: 01922 471000  
WEST MIDLANDS FAX: 01922 648021  
WS2 8HG

THIS DRAWING & THE DESIGN SHOWN ARE THE PROPERTY OF ALBERT JAGGER LTD AND MUST NOT BE USED OR COPIED BY A THIRD PARTY WITHOUT PERMISSION

DRAWN BY  
A.S

CHECKED BY  
A.P



SCALE  
2 : 3

MATERIAL  
SEE DRAWING

MASS  
0.054 kg

FINISH  
SEE DRAWING

Date  
15/05/2019

ALL DIMS IN MM UNLESS STATED DO NOT SCALE

A3

1	VALIDATION COMPLETE	20/04/21	U.F
REV	DESCRIPTION	DATE	APPROVED
	1056-903		
LINCH PIN & WIRE TAG		Edition 1	Sheet 1 / 1