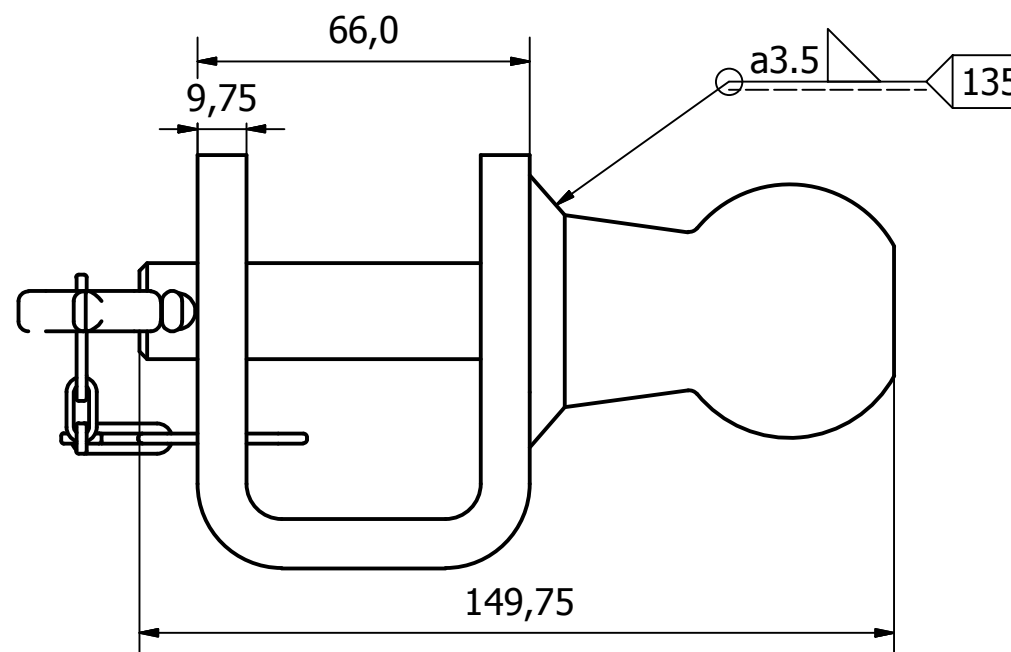
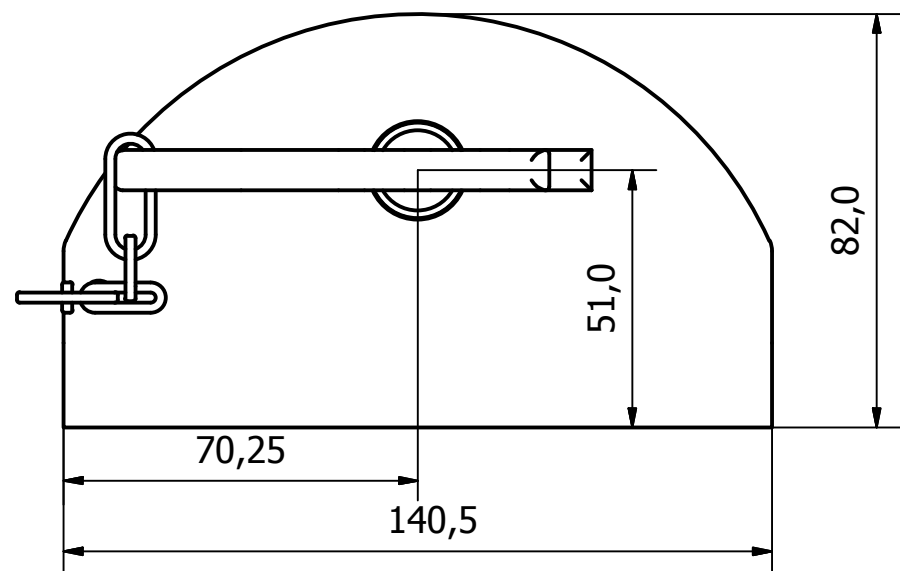
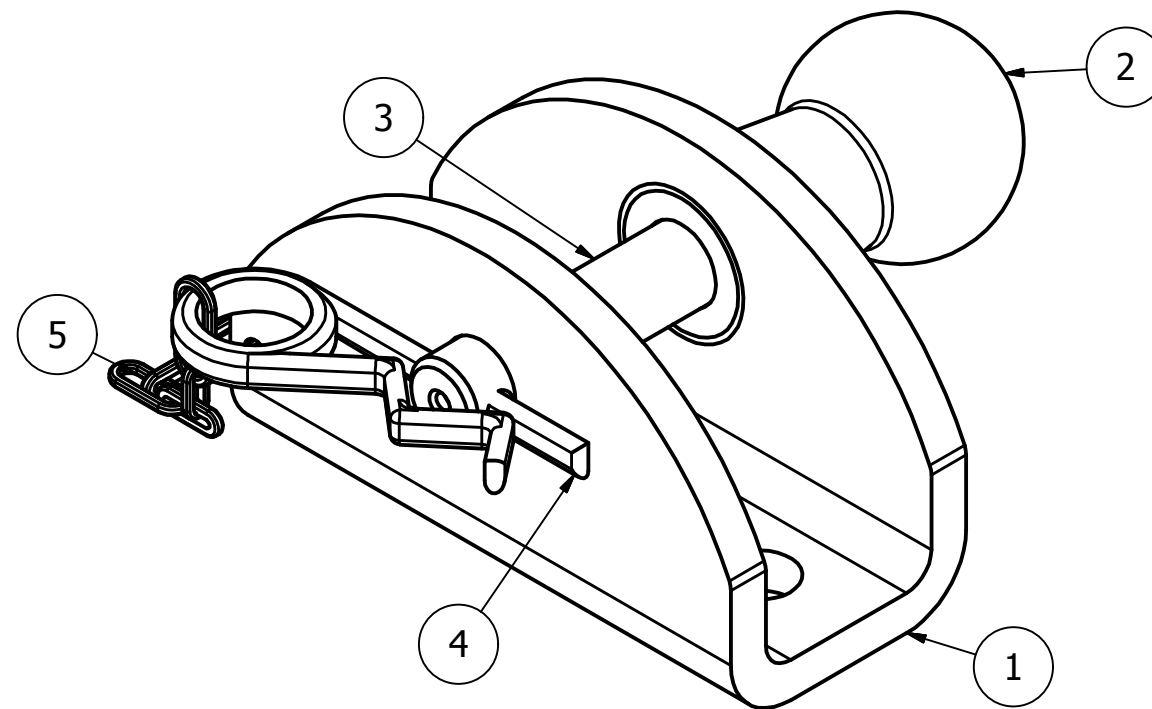
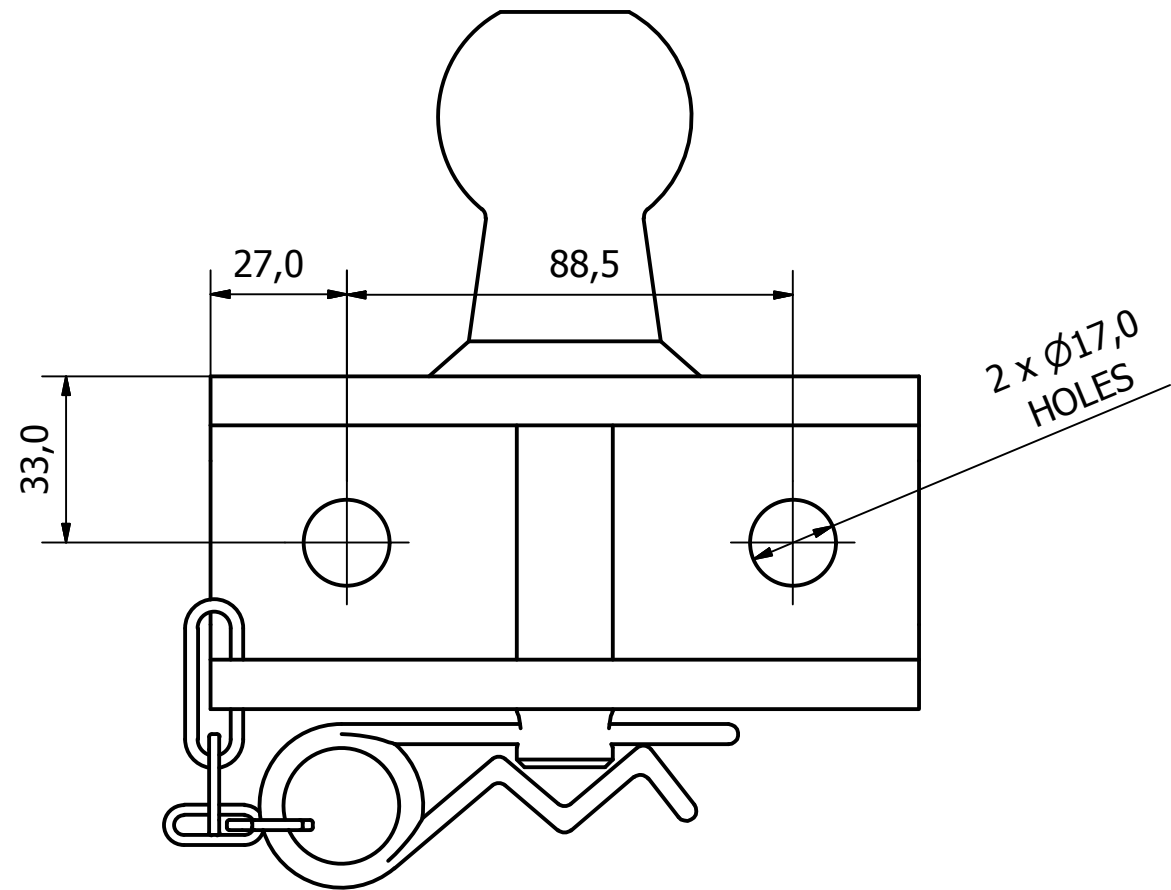


PARTS LIST			
ITEM	QTY	PART NUMBER	DESCRIPTION
1	1	1074-007-1	M/STEEL HITCH BASE
2	1	1074-007-2	M/STEEL PIN HOUSING
3	1	1074-007-3	M/STEEL PIN
4	1	1074-007-4	M/STEEL SAFETY LOCK PIN
5	1	1074-007-5	M/STEEL LOCK PIN CHAIN



NOTE:

BLACK PHOSPHATE FINISH ON HITCH. ZINC PLATED PINS AND CHAINS

MAX STATIC LOAD:

3300lb/1500kg ON BALL  
6600lb/3000kg ON PIN

N.B: NOT TO BE USED WITHOUT THE INTEGRA LOCK PIN IN POSITION

GENERAL TOLERANCES ON LENGTHS

0.5 - 6 ± 0.1mm  
6 - 30 ± 0.2mm  
30 - 120 ± 0.3mm  
120 - 400 ± 0.5mm  
400 - 1000 ± 0.8mm  
1000 - 1200 ± 1.2mm  
2000 - 4000 ± 2.0mm

ALBERT JAGGER LTD  
GREEN LANE  
WALSALL  
WEST MIDLANDS  
WS2 8HG

PHONE: 01922 471000  
FAX: 01922 648021

THIS DRAWING & THE DESIGN SHOWN ARE THE PROPERTY OF ALBERT JAGGER LTD AND MUST NOT BE USED OR COPIED BY A THIRD PARTY WITHOUT PERMISSION

DRAWN BY

U.F

CHECKED BY

A.P



SCALE  
1:1.5

MATERIAL  
SEE NOTE

MASS  
2.733 kg

FINISH  
SEE NOTE

Date  
21/02/2017

ALL DIMS IN MM UNLESS STATED DO NOT SCALE

A3

1	VALIDATION COMPLETE	11/05/17	A.P
REV	DESCRIPTION	DATE	APPROVED



STANDARD TOWING HITCH

1074-007

Edition  
1

Sheet  
1 / 1