

NOTE:

UNIVERSAL DOOR GEAR SUITABLE FOR Ø22mm TUBE

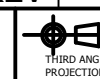
GENERAL TOLERANCES ON LENGTHS	
0.5 - 6 ± 0.1mm	
6 - 30 ± 0.2mm	
30 - 120 ± 0.3mm	
120 - 400 ± 0.5mm	
400 - 1000 ± 0.8mm	
1000 - 2000 ± 1.2mm	
2000 - 4000 ± 2.0mm	

ALBERT JAGGER LTD
 GREEN LANE
 WALSALL PHONE: 01922 471000
 WEST MIDLANDS FAX: 01922 648021
 WS2 8HG

THIS DRAWING & THE DESIGN SHOWN ARE THE PROPERTY OF ALBERT JAGGER LTD AND MUST NOT BE USED OR COPIED BY A THIRD PARTY WITHOUT PERMISSION

DRAWN BY
U.F

CHECKED BY
A.P



SCALE
1 : 3

MATERIAL
SEE TABLE

MASS
2.326 kg

FINISH
SEE TABLE

Date
19/07/2017

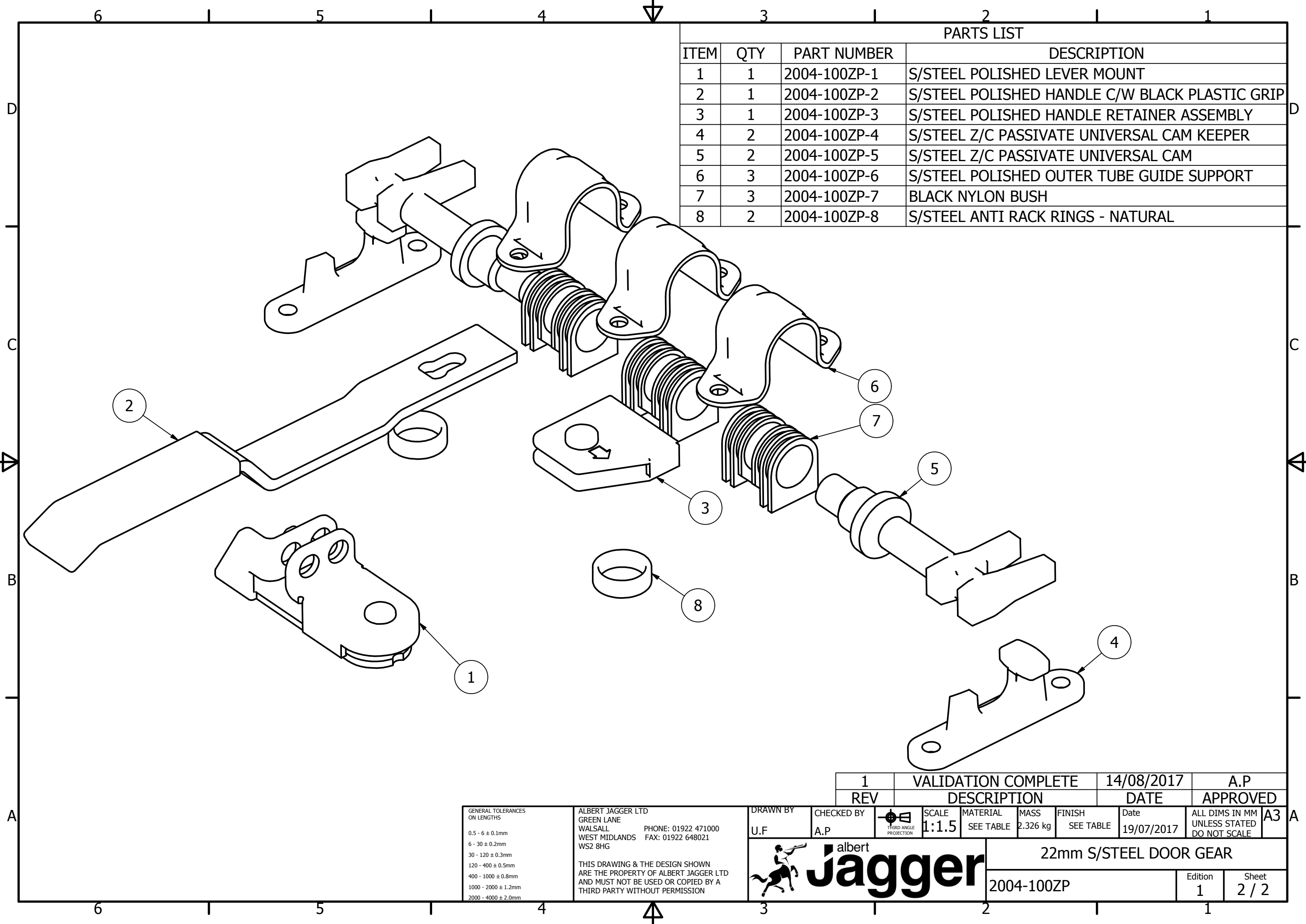
ALL DIMS IN MM UNLESS STATED DO NOT SCALE

A3

1	VALIDATION COMPLETE	14/08/17	A.P
REV	DESCRIPTION	DATE	APPROVED



22mm S/STEEL DOOR GEAR	
2004-100ZP	Edition 1 / Sheet 1 / 2



PARTS LIST			
ITEM	QTY	PART NUMBER	DESCRIPTION
1	1	2004-100ZP-1	S/STEEL POLISHED LEVER MOUNT
2	1	2004-100ZP-2	S/STEEL POLISHED HANDLE C/W BLACK PLASTIC GRIP
3	1	2004-100ZP-3	S/STEEL POLISHED HANDLE RETAINER ASSEMBLY
4	2	2004-100ZP-4	S/STEEL Z/C PASSIVATE UNIVERSAL CAM KEEPER
5	2	2004-100ZP-5	S/STEEL Z/C PASSIVATE UNIVERSAL CAM
6	3	2004-100ZP-6	S/STEEL POLISHED OUTER TUBE GUIDE SUPPORT
7	3	2004-100ZP-7	BLACK NYLON BUSH
8	2	2004-100ZP-8	S/STEEL ANTI RACK RINGS - NATURAL

1	VALIDATION COMPLETE	14/08/2017	A.P
REV	DESCRIPTION	DATE	APPROVED

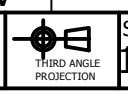
GENERAL TOLERANCES ON LENGTHS 0.5 - 6 ± 0.1mm 6 - 30 ± 0.2mm 30 - 120 ± 0.3mm 120 - 400 ± 0.5mm 400 - 1000 ± 0.8mm 1000 - 2000 ± 1.2mm 2000 - 4000 ± 2.0mm

ALBERT JAGGER LTD
 GREEN LANE
 WALSALL PHONE: 01922 471000
 WEST MIDLANDS FAX: 01922 648021
 WS2 8HG

THIS DRAWING & THE DESIGN SHOWN
 ARE THE PROPERTY OF ALBERT JAGGER LTD
 AND MUST NOT BE USED OR COPIED BY A
 THIRD PARTY WITHOUT PERMISSION

DRAWN BY
U.F

CHECKED BY
A.P



SCALE
1:1.5

MATERIAL
SEE TABLE

MASS
2.326 kg

FINISH
SEE TABLE

Date
19/07/2017

ALL DIMS IN MM
UNLESS STATED
DO NOT SCALE

A3



22mm S/STEEL DOOR GEAR

2004-100ZP

Edition 1	Sheet 2 / 2
--------------	----------------