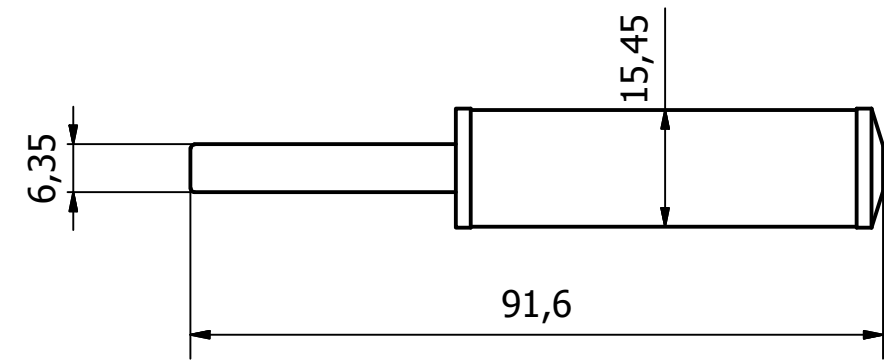
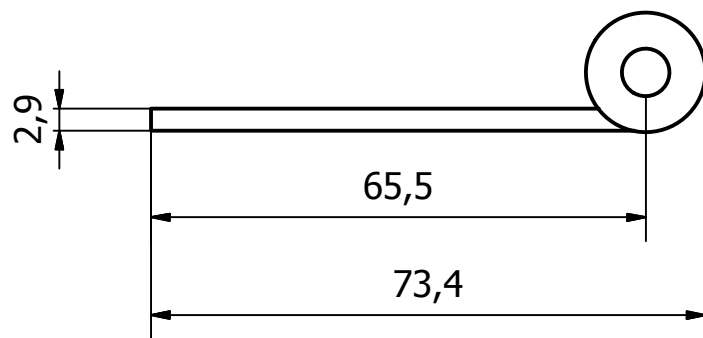
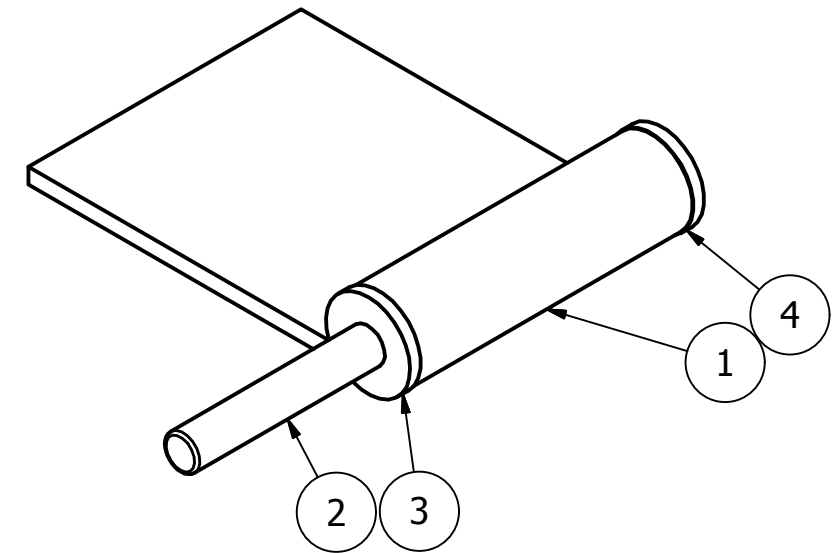
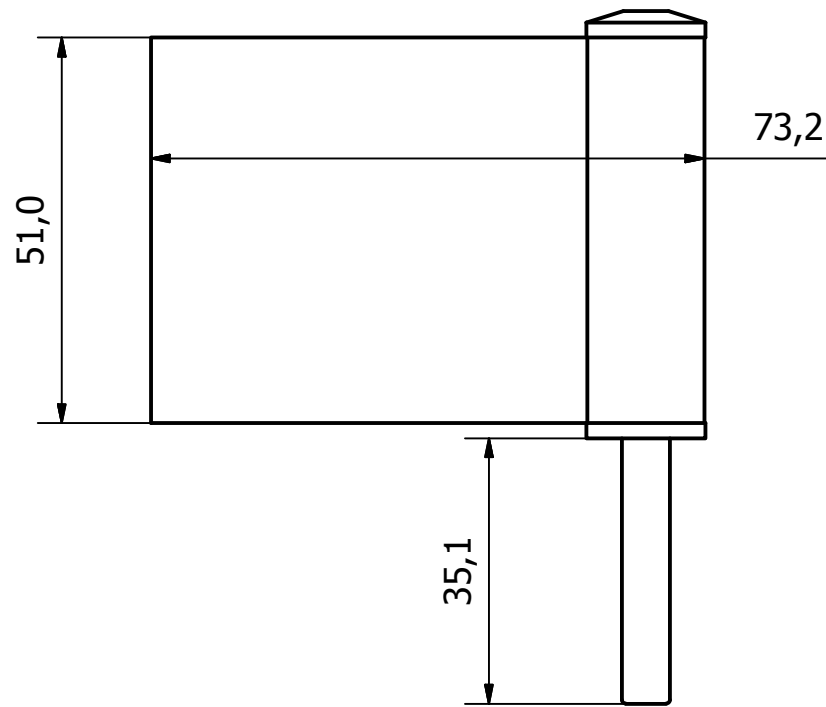


PARTS LIST			
ITEM	QTY	PART NUMBER	DESCRIPTION
1	1	2211-001-1	M/STEEL HINGE PLATE - SELF COLOUR
2	1	2211-001-2	SS HINGE PIN - 85.4 O/A POLISHED
3	1	2211-001-3	PLASTIC PIN BUSH - 28.5 O/A
4	1	2211-001-4	PLASTIC END BUSH - 9.5 O/A



1	VALIDATION COMPLETE	22/12/16	A.P
REV	DESCRIPTION	DATE	APPROVED

GENERAL TOLERANCES ON LENGTHS
0.5 - 6 ± 0.1mm
6 - 30 ± 0.2mm
30 - 120 ± 0.3mm
120 - 400 ± 0.5mm
400 - 1000 ± 0.8mm
1000 - 1200 ± 1.2mm
2000 - 4000 ± 2.0mm

ALBERT JAGGER LTD
GREEN LANE
WALSALL PHONE: 01922 471000
WEST MIDLANDS FAX: 01922 648021
WS2 8HG

THIS DRAWING & THE DESIGN SHOWN ARE THE PROPERTY OF ALBERT JAGGER LTD AND MUST NOT BE USED OR COPIED BY A THIRD PARTY WITHOUT PERMISSION

DRAWN BY
U.F

CHECKED BY
A.P

THIRD ANGLE PROJECTION

SCALE
1 : 1

MATERIAL
-

MASS
0.137 kg

FINISH
NATURAL

Date
19/10/2016

ALL DIMS IN MM UNLESS STATED DO NOT SCALE

A3



LIFT OFF HINGE - RH MALE C/W BUSHES
2211-002
Edition 1
Sheet 1 / 1