

6 1 5 1 4 3 1 2 1 1

PARTS LIST			
ITEM	QTY	PART NUMBER	DESCRIPTION
1	1	2212-003-1	MALLEABLE IRON HINGE FLAP
2	1	2212-003-2	S/S M6 SCREW - 64.5 O/A
3	1	4291-001-3	INTERNAL BRASS BALL
4	1	2212-003-3	STEEL SPRING
5	1	2212-003-4	S/S KEY WASHER
6	1	2212-003-5	SS M6 NUT
7	1	2212-003-6	MALLEABLE IRON HINGE FLAP

D

D

C

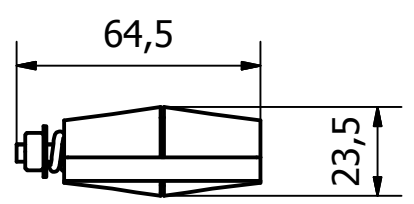
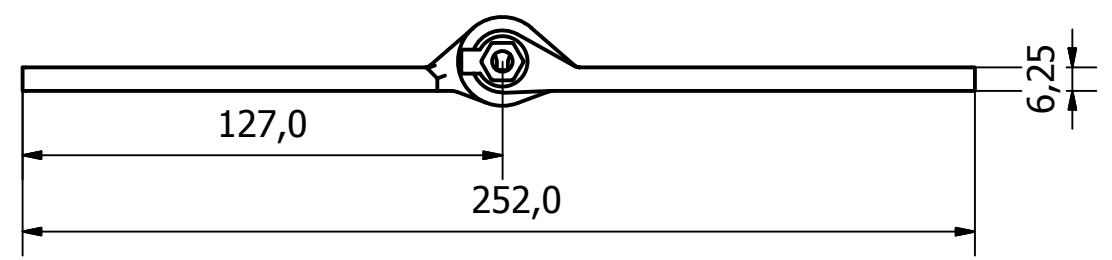
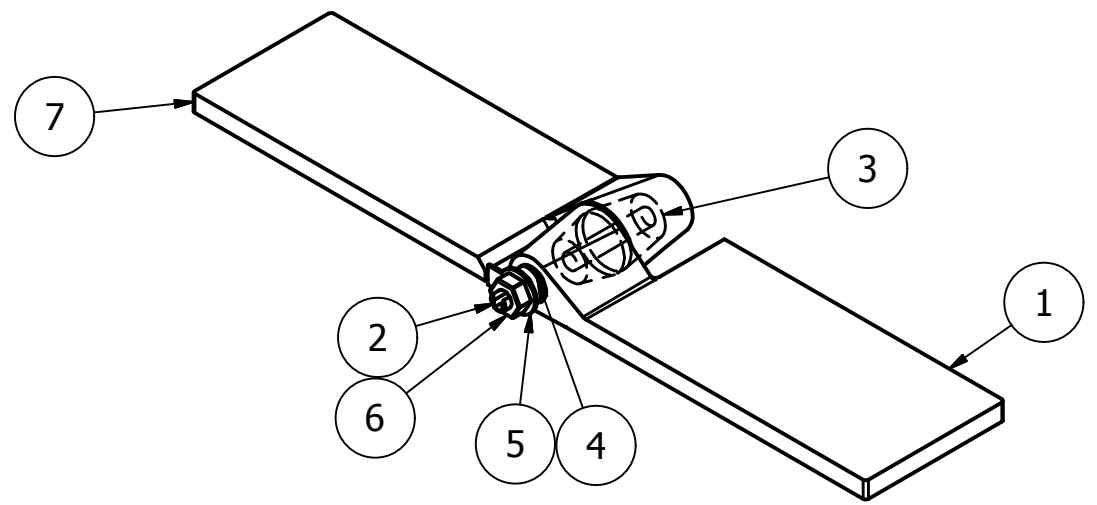
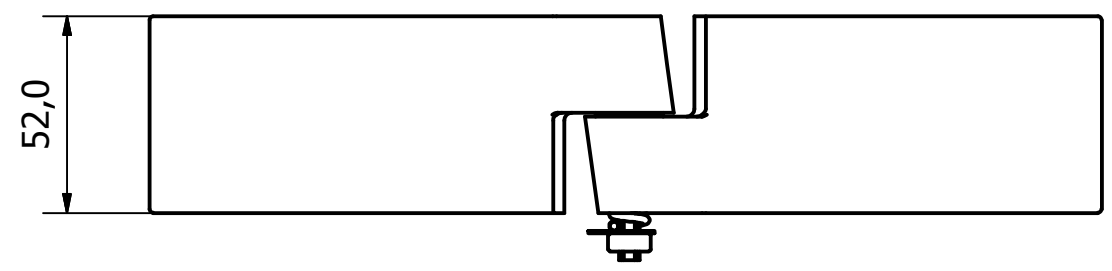
C

B

B

A

A



NOTE:
 MALLEABLE IRON, SELF COLOUR, 270° OPENING
 JOINTED AND TENSIONED WITH COIL SPRING
 & BRASS BALL ON DETACHABLE PIN

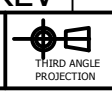
PART No.	FINISH
2212/003	NATURAL
2212/103	ZINC CLEAR PASSIVATE

GENERAL TOLERANCES ON LENGTHS
0.5 - 6 ± 0.1mm
6 - 30 ± 0.2mm
30 - 120 ± 0.3mm
120 - 400 ± 0.5mm
400 - 1000 ± 0.8mm
1000 - 1200 ± 1.2mm
2000 - 4000 ± 2.0mm

ALBERT JAGGER LTD
 GREEN LANE
 WALSALL PHONE: 01922 471000
 WEST MIDLANDS FAX: 01922 648021
 WS2 8HG
 THIS DRAWING & THE DESIGN SHOWN
 ARE THE PROPERTY OF ALBERT JAGGER LTD
 AND MUST NOT BE USED OR COPIED BY A
 THIRD PARTY WITHOUT PERMISSION

DRAWN BY
 U.F

CHECKED BY
 A.P



SCALE
 1 : 2

MATERIAL
 -

MASS
 0.672 kg

FINISH
 NATURAL

Date
 01/11/2016

ALL DIMS IN MM
 UNLESS STATED
 DO NOT SCALE

A3



LH SELF ALIGNING HINGE - ADJ TENSION

2212-003

Edition
 1

Sheet
 1 / 1

6 1 5 1 4 3 1 2 1 1