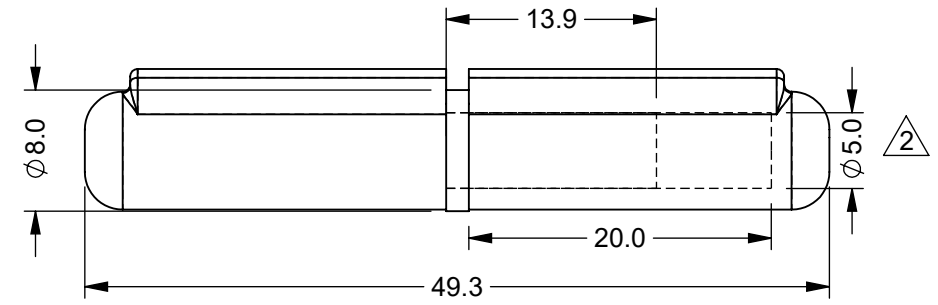
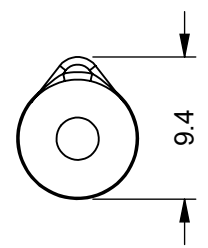
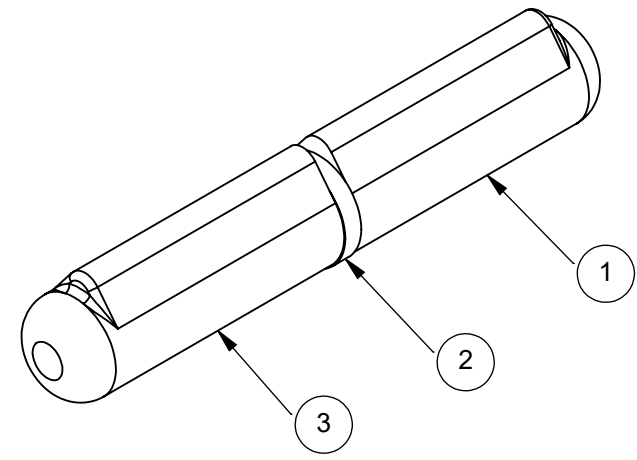
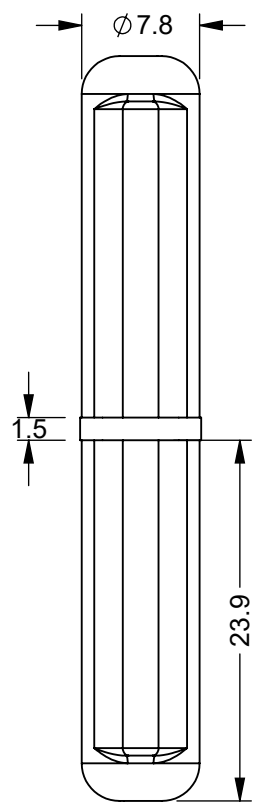


IF IN DOUBT ASK

ITEM NO.	PART NUMBER	DESCRIPTION	QTY.
1	2217-002-1	CARBON STEEL HINGE BASE	1
2	2217-002-2	BRASS BEARING WASHER	1
3	2217-002-3	CARBON STEEL MOUNTING BLOCK	1



ZONE	REV.	DESCRIPTION	DATE	APPROVED
D2	2	RE-DRAWN IN SOLIDWORKS & ADDED PIN DIMS	01/08/2023	S.R

REVISIONS

UNLESS OTHERWISE STATED, ALL DIMENSIONS IN mm	
TOLERANCES	SURFACE FINISH 1.6um Ra
0.5 - 6 = ±0.1mm	FILLET RADII 0.5 TO 1.0
6 - 30 = ±0.2 mm	SQUARENESS 0.05 IN 25
30 - 120 = ±0.3 mm	PARALLELISM 0.05 IN 25
120 - 400 = ±0.5 mm	RUNOUT 0.1
400 - 1000 = ±0.8 mm	ANGLES ±0.5°
1000 - 2000 = ±1.2 mm	
2000 - 4000 = ±2.0 mm	

MATERIAL: SEE TABLE	DRAWN BY: SR	DESCRIPTION: WELD ON LIFT - OFF HINGE - 49.3 O/A	A3	
MASS: 0.018KG	CHECKED BY: AP			
FINISH: NATURAL	APPROVED BY: AP	NUMBER: 2217-002	REVISION: 2	SHEET: 1 of 1
ORIGINATION DATE: 01/08/2023		SCALE : PROPORTIONAL - DO NOT SCALE REF SCALE 2:1 WHEN PRINTED ON A3		PROJECTION 3rd ANGLE

PROPRIETARY RIGHTS ARE INCLUDED IN THE INFORMATION DISCLOSED HEREIN. NEITHER THIS DOCUMENT NOR ANY INFORMATION DISCLOSED SHALL BE REPRODUCED, USED, TRANSFERRED TO OTHER DOCUMENTS, OR DISCLOSED TO OTHERS FOR ANY PURPOSE INCLUDING MANUFACTURING UNLESS SPECIFICALLY AUTHORISED IN WRITING. REMOVE ALL SHARP EDGES AND BURRS PART FINISHING AND MARKING TO CESF001

