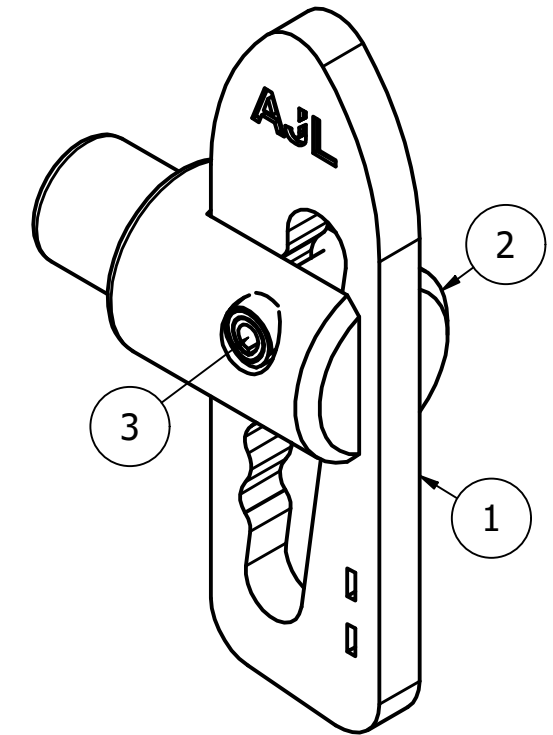
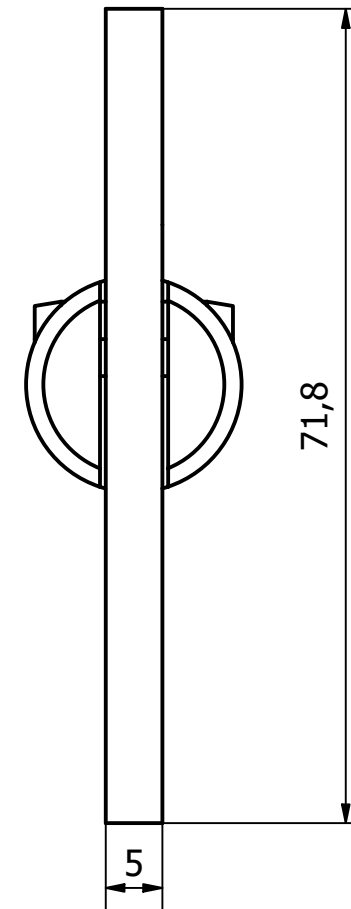
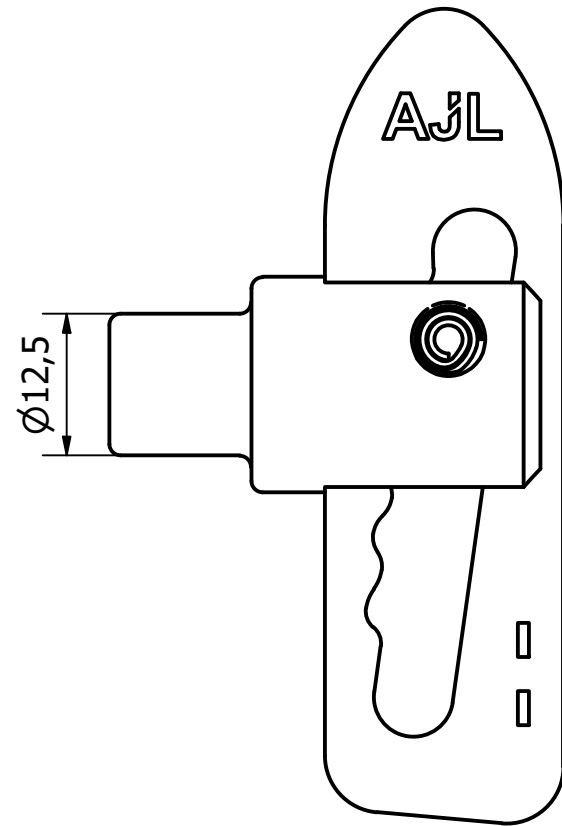
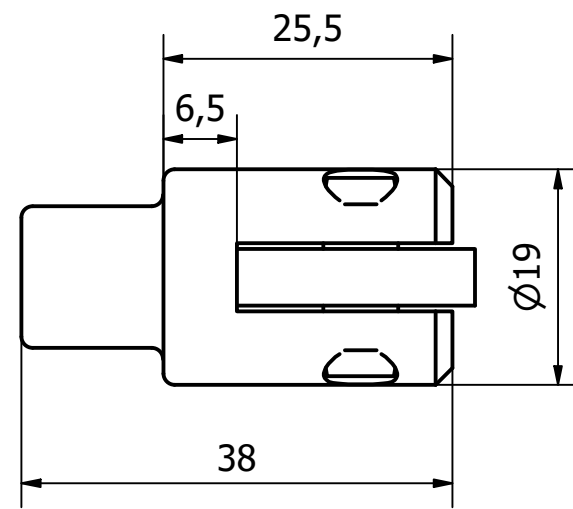


| PARTS LIST | | | |
|------------|-----|---------------|----------------------------|
| ITEM | QTY | PART NUMBER | DESCRIPTION |
| 1 | 1 | 3330319 | LARGE A/L COTTER - M/STEEL |
| 2 | 1 | 3232-001 BOSS | M/STEEL WELD ON BOSS |
| 3 | 1 | 3330233 | ANTILUCE SPIRAL PIN - STD |



| REV | DESCRIPTION | DATE | APPROVED |
|-----|---------------------|----------|----------|
| 2 | DESIGN UPDATED | 04/03/22 | K.M |
| 1 | VALIDATION COMPLETE | 15/06/17 | A.P |

NOTE
FINISH: ZINC PLATED TO 8 MICRONS THICK WITH CLEAR JS500 TOP COAT

| GENERAL TOLERANCES ON LENGTHS |
|-------------------------------|
| 0.5 - 6 ± 0.1mm |
| 6 - 30 ± 0.2mm |
| 30 - 120 ± 0.3mm |
| 120 - 400 ± 0.5mm |
| 400 - 1000 ± 0.8mm |
| 1000 - 2000 ± 1.2mm |
| 2000 - 4000 ± 2.0mm |

ALBERT JAGGER LTD
GREEN LANE
WALSALL PHONE: 01922 471000
WEST MIDLANDS FAX: 01922 648021
WS2 8HG

THIS DRAWING & THE DESIGN SHOWN ARE THE PROPERTY OF ALBERT JAGGER LTD AND MUST NOT BE USED OR COPIED BY A THIRD PARTY WITHOUT PERMISSION

DRAWN BY
U.F

CHECKED BY
A.P



SCALE
1.5:1

MATERIAL
M/STEEL

MASS
0.093 kg

FINISH
SEE NOTE

Date
13/04/2017

ALL DIMS IN MM UNLESS STATED DO NOT SCALE

A3



WELD ON 12.5MM ANTILUCE™ ROUND SHANK 12MM LTH NO THREAD

3232-001

Edition 2
Sheet 1 / 1