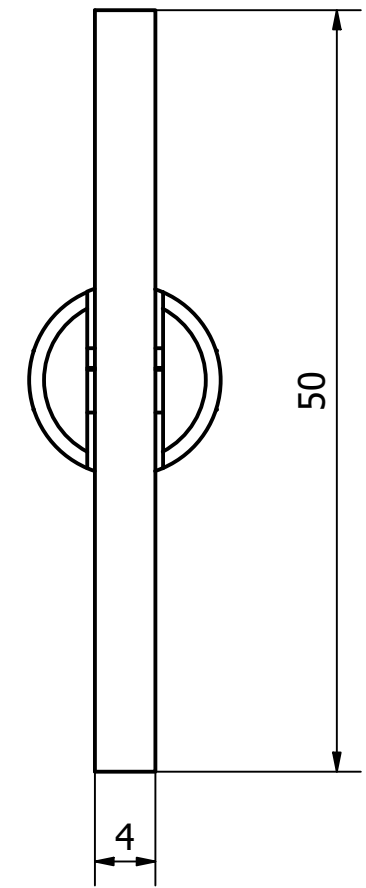
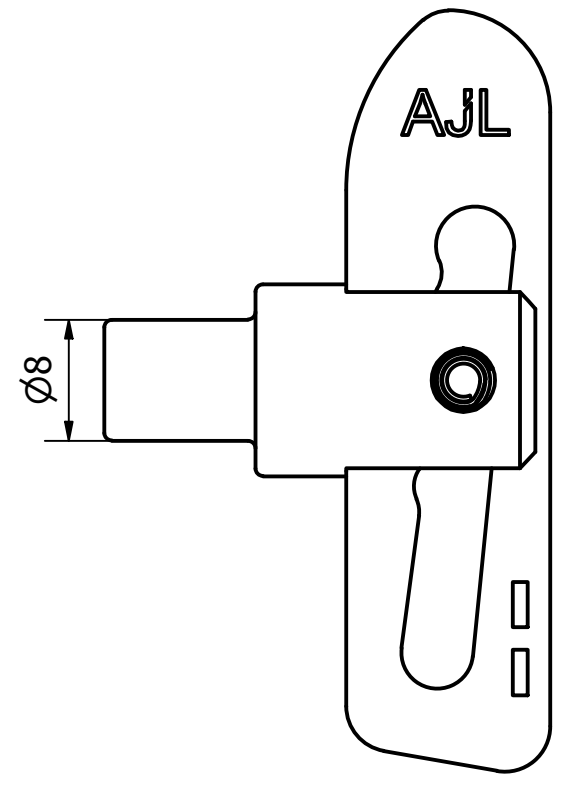
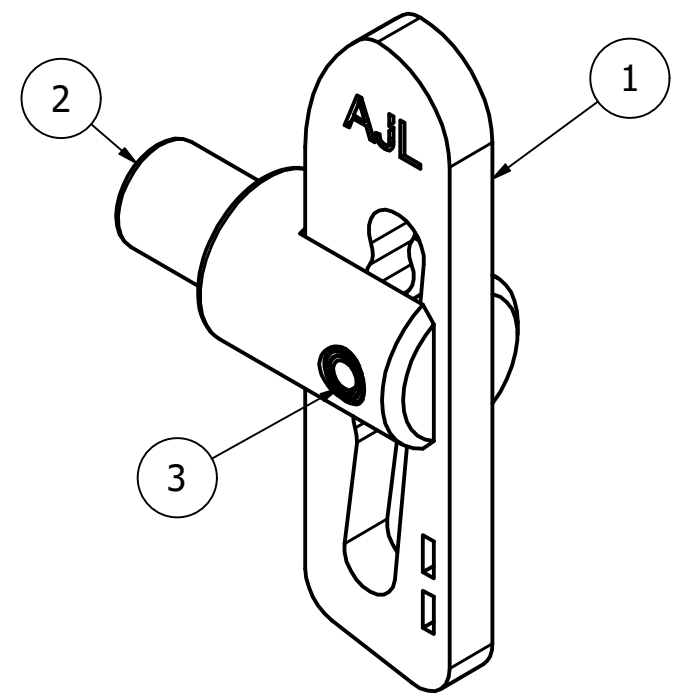
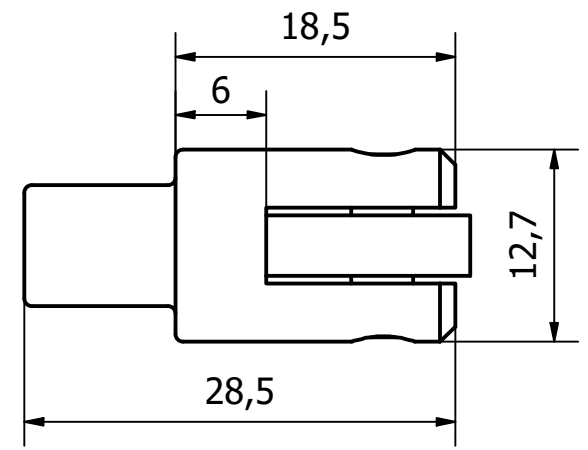


6 1 5 1 4 3 1 2 1 1

PARTS LIST			
ITEM	QTY	PART NUMBER	DESCRIPTION
1	1	3330313	SMALL BABY COTTER M/S
2	1	3274-001 BOSS	M/STEEL WELD ON BOSS
3	1	3330236	M/STEEL SMALL ROLL PIN



REV	DESCRIPTION	DATE	APPROVED
2	DESIGN UPDATED	07/03/22	K.M
1	VALIDATION COMPLETE	05/07/17	A.P

NOTE
FINISH: ZINC PLATED TO 8 MICRONS THICK WITH J500 CLEAR TOP COAT

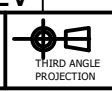
GENERAL TOLERANCES ON LENGTHS
0.5 - 6 ± 0.1mm
6 - 30 ± 0.2mm
30 - 120 ± 0.3mm
120 - 400 ± 0.5mm
400 - 1000 ± 0.8mm
1000 - 2000 ± 1.2mm
2000 - 4000 ± 2.0mm

ALBERT JAGGER LTD
GREEN LANE
WALSALL PHONE: 01922 471000
WEST MIDLANDS FAX: 01922 648021
WS2 8HG

THIS DRAWING & THE DESIGN SHOWN ARE THE PROPERTY OF ALBERT JAGGER LTD AND MUST NOT BE USED OR COPIED BY A THIRD PARTY WITHOUT PERMISSION

DRAWN BY
U.F

CHECKED BY
A.P



SCALE
2 : 1

MATERIAL
M/STEEL

MASS
0.031 kg

FINISH
SEE NOTE

Date
18/04/2017

ALL DIMS IN MM UNLESS STATED DO NOT SCALE

A3



ANTILUCE™ WELD ON ASSY - NO THREAD

3274-001

Edition
2

Sheet
1 / 1

A 6 1 5 1 4 3 1 2 1 1 A