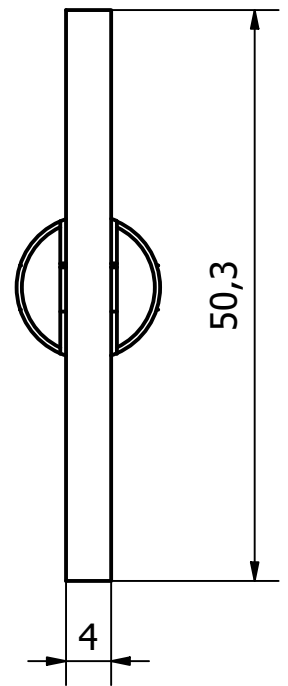
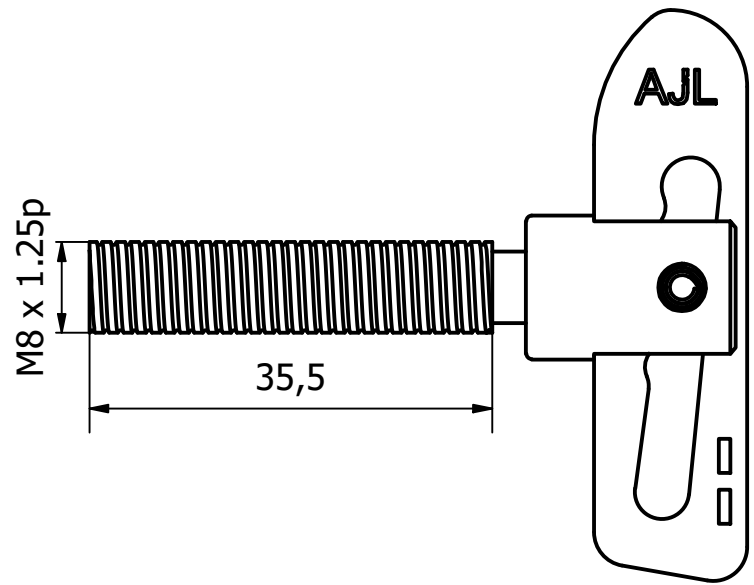
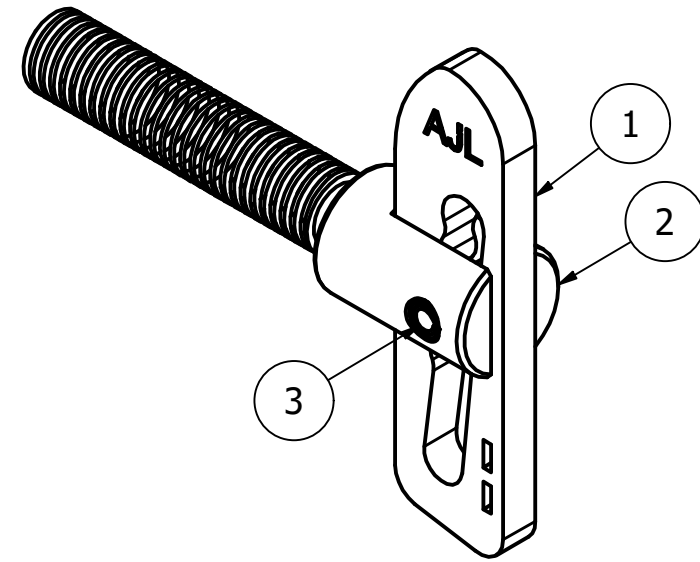
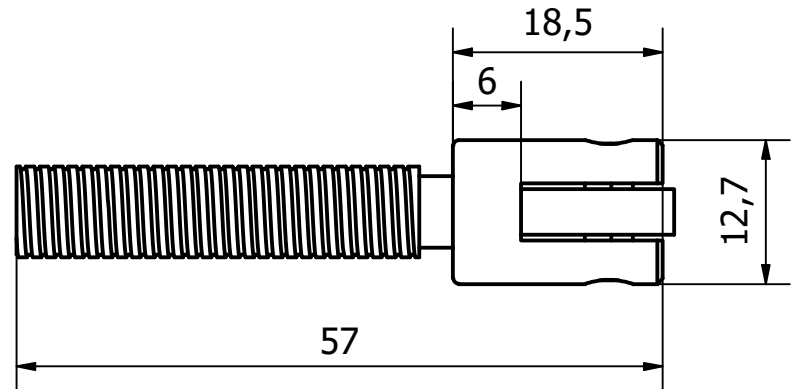


PARTS LIST			
ITEM	QTY	PART NUMBER	DESCRIPTION
1	1	3330315	SMALL BABY COTTER S/STEEL
2	1	3327-001 BOSS	S/STEEL A/L M8 BOSS
3	1	3330235	S/STEEL ROLL PIN



REV	DESCRIPTION	DATE	APPROVED
3	DESIGN UPDATED	09/03/22	K.M
2	COTTER UPDATED, MATERIAL NOW T316	08/10/20	U.F
1	VALIDATION COMPLETE	25/05/17	A.P

GENERAL TOLERANCES ON LENGTHS	
0.5 - 6 ± 0.1mm	
6 - 30 ± 0.2mm	
30 - 120 ± 0.3mm	
120 - 400 ± 0.5mm	
400 - 1000 ± 0.8mm	
1000 - 2000 ± 1.2mm	
2000 - 4000 ± 2.0mm	

ALBERT JAGGER LTD
 GREEN LANE
 WALSALL PHONE: 01922 471000
 WEST MIDLANDS FAX: 01922 648021
 WS2 8HG

THIS DRAWING & THE DESIGN SHOWN ARE THE PROPERTY OF ALBERT JAGGER LTD AND MUST NOT BE USED OR COPIED BY A THIRD PARTY WITHOUT PERMISSION

DRAWN BY U.F	CHECKED BY A.P	THIRD ANGLE PROJECTION	SCALE 3 : 2	MATERIAL S/STEEL - T316	MASS 0.042 kg	FINISH NATURAL	Date 20/04/2017	ALL DIMS IN MM UNLESS STATED DO NOT SCALE	A3
				M8 ST/ST ANTILUCE™ 36MM U/CUT THREAD					
				3327-001	Edition 3	Sheet 1 / 1			