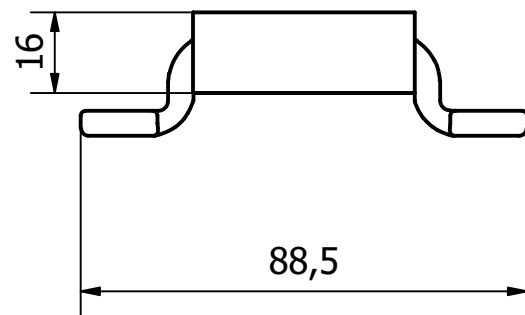
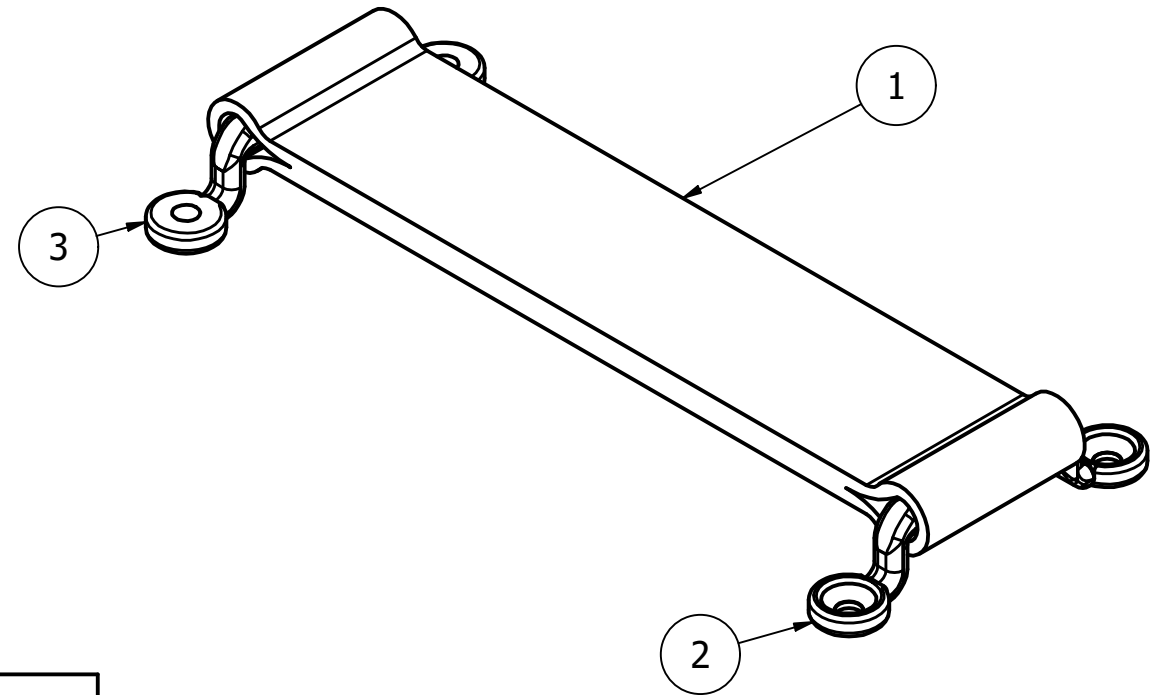
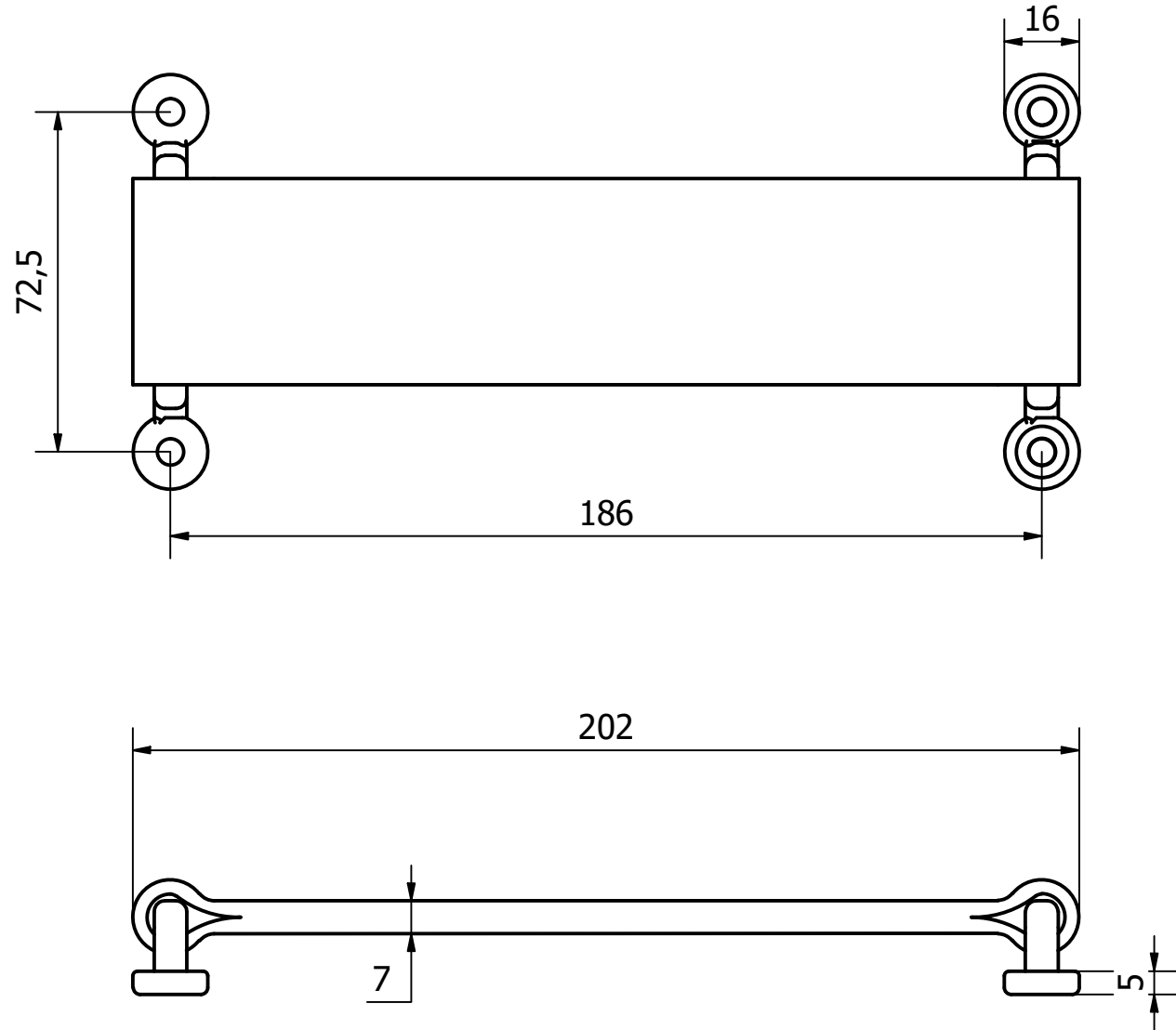


PARTS LIST			
ITEM	QTY	PART NUMBER	DESCRIPTION
1	1	4279-001-1	STITCHED LEATHER STRAP
2	1	4279-001-3	M/STEEL-BLACK JAPANED STAPLES
3	1	4279-001-4	M/STEEL-BLACK JAPANED STAPLES



1	VALIDATION COMPLETE	09/12/21	C.H
REV	DESCRIPTION	DATE	APPROVED
1:2	SEE TABLE	12/08/2021	A3
SCALE	MATERIAL	MASS	FINISH
1:2	SEE TABLE	0.133 kg	SEE TABLE
LEATHER DOOR STRAP			Date
4279/001			12/08/2021
Edition		Sheet	
1		1 / 1	

GENERAL TOLERANCES ON LENGTHS
0.5 - 6 ± 0.1mm
6 - 30 ± 0.2mm
30 - 120 ± 0.3mm
120 - 400 ± 0.5mm
400 - 1000 ± 0.8mm
1000 - 2000 ± 1.2mm
2000 - 4000 ± 2.0mm

ALBERT JAGGER LTD
 GREEN LANE
 WALSALL PHONE: 01922 471000
 WEST MIDLANDS FAX: 01922 648021
 WS2 8HG

THIS DRAWING & THE DESIGN SHOWN ARE THE PROPERTY OF ALBERT JAGGER LTD AND MUST NOT BE USED OR COPIED BY A THIRD PARTY WITHOUT PERMISSION

DRAWN BY S.R
 CHECKED BY A.P
 THIRD ANGLE PROJECTION