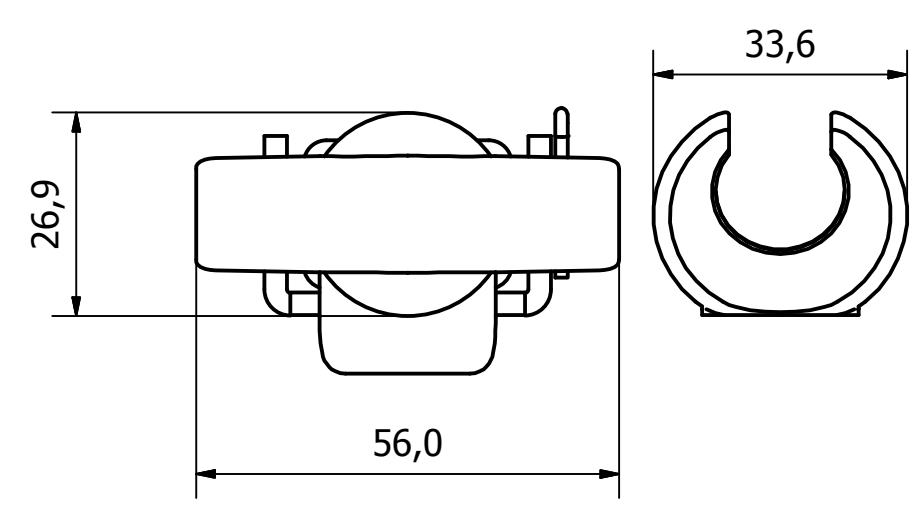
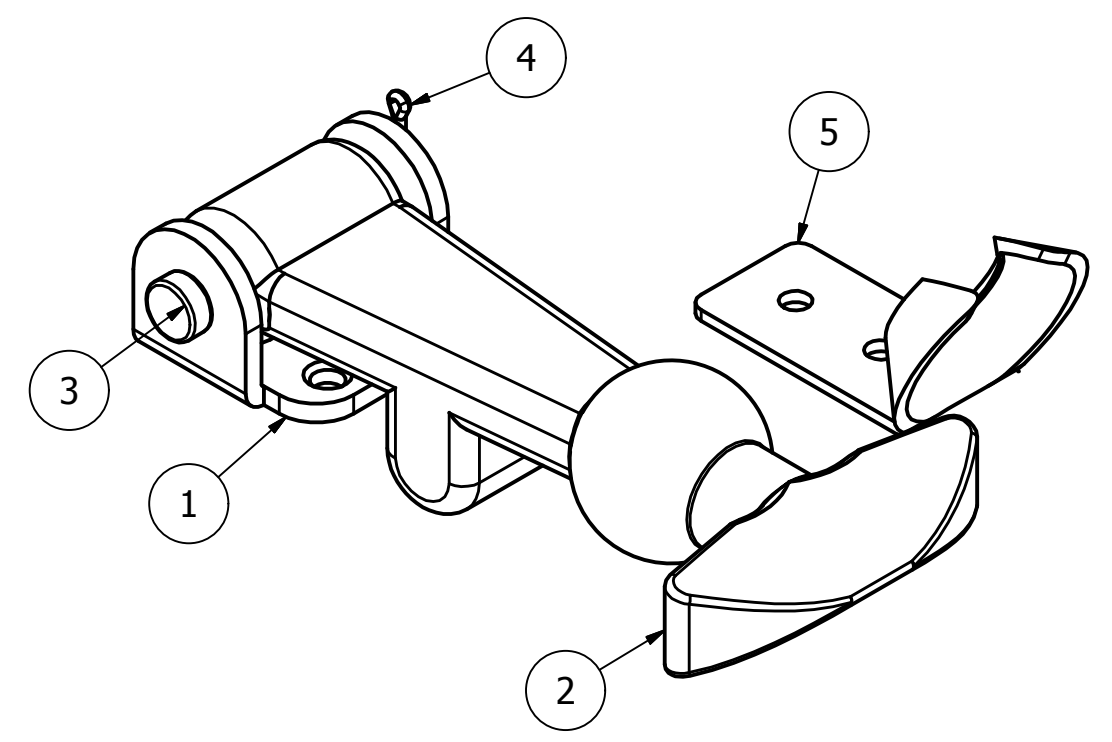


PARTS LIST			
ITEM	QTY	PART NUMBER	DESCRIPTION
1	1	5300-001-1	M/STEEL Z/C PASSIVATED MOUNTING BRACKET
2	1	5300-001-2	BLACK EPDM HOOK
3	1	5300-001-3	M/STEEL Z/C PASSIVATED MOUNTING PIN
4	1	5300-001-4	M/STEEL Z/C PASSIVATED SECURING PIN
5	1	5300-001-5	M/STEEL Z/C PASSIVATED HOOK CLIP



1	VALIDATION COMPLETE	14/08/17	A.P
REV	DESCRIPTION	DATE	APPROVED
U.F	A.P	27/07/2017	A3

GENERAL TOLERANCES ON LENGTHS

0.5 - 6 ± 0.1mm
6 - 30 ± 0.2mm
30 - 120 ± 0.3mm
120 - 400 ± 0.5mm
400 - 1000 ± 0.8mm
1000 - 2000 ± 1.2mm
2000 - 4000 ± 2.0mm

ALBERT JAGGER LTD  
 GREEN LANE  
 WALSALL PHONE: 01922 471000  
 WEST MIDLANDS FAX: 01922 648021  
 WS2 8HG

THIS DRAWING & THE DESIGN SHOWN ARE THE PROPERTY OF ALBERT JAGGER LTD AND MUST NOT BE USED OR COPIED BY A THIRD PARTY WITHOUT PERMISSION

DRAWN BY U.F  
 CHECKED BY A.P  
 SCALE 1:1  
 MATERIAL SEE TABLE  
 MASS 0.125 kg  
 FINISH SEE TABLE  
 Date 27/07/2017  
 ALL DIMS IN MM UNLESS STATED DO NOT SCALE

RUBBER RETAINER C/W BRACKET AND HOOK	
5300-001	Sheet 1 / 1