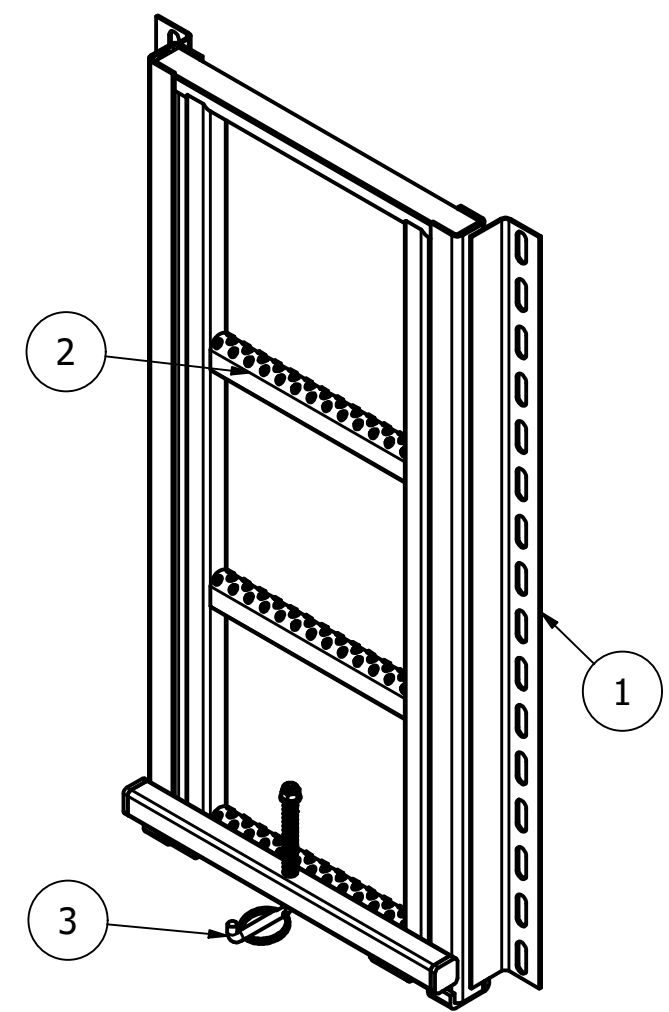
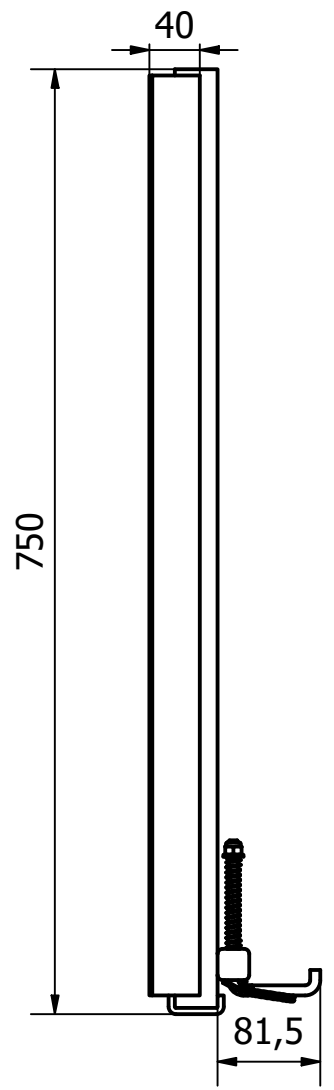
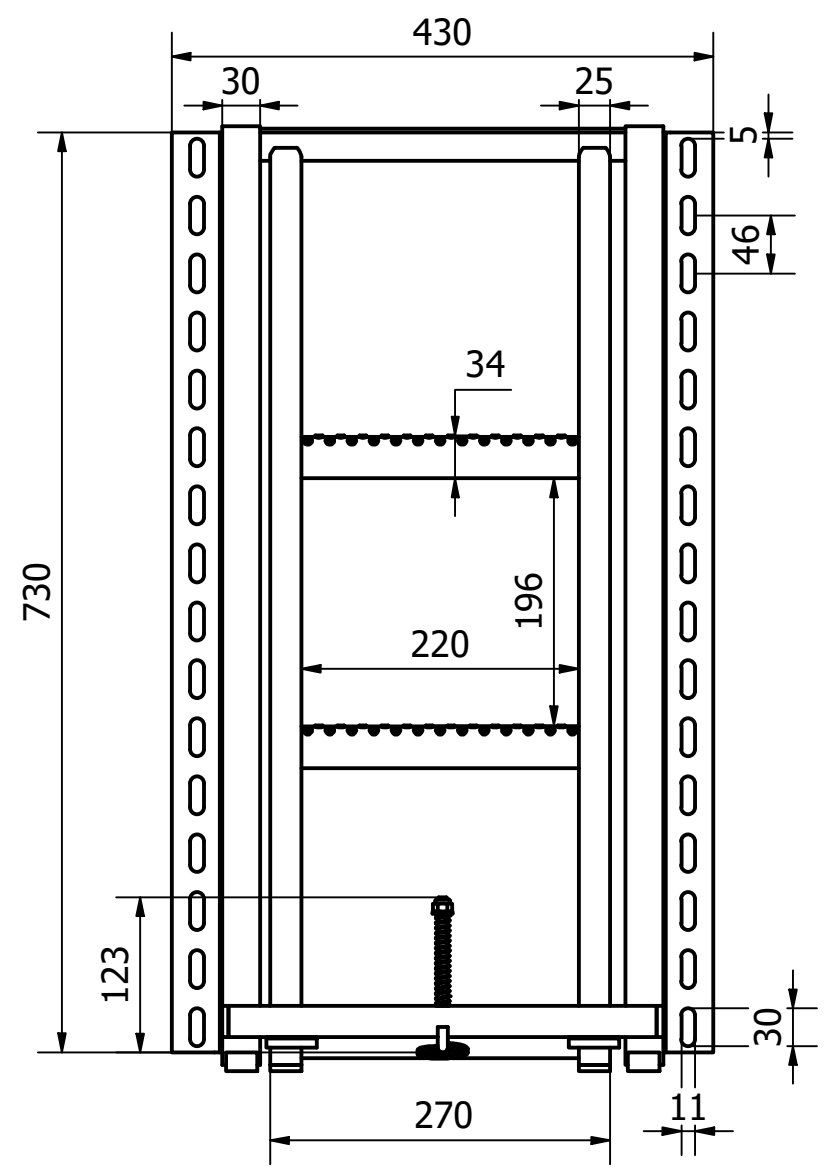
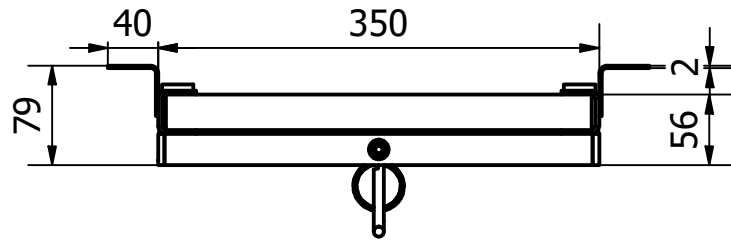


PARTS LIST			
ITEM	QTY	PART NUMBER	DESCRIPTION
1	1	4273-SUPPORT_ASM	M/STEEL- SUPPORT BODY- Z/C PASSIVATE
2	1	4273-ECHELLE_ASM	M/STEEL- STEPS- Z/C PASSIVATE
3	1	4273-LOCK AND RELEASE	M/STEEL- LOCK AND RELEASE HOOK- Z/C PASSIVATE



1	VALIDATION COMPLETE	21/07/22	C.H
REV	DESCRIPTION	DATE	APPROVED

GENERAL TOLERANCES ON LENGTHS
0.5 - 6 ± 0.1mm
6 - 30 ± 0.2mm
30 - 120 ± 0.3mm
120 - 400 ± 0.5mm
400 - 1000 ± 0.8mm
1000 - 2000 ± 1.2mm
2000 - 4000 ± 2.0mm

ALBERT JAGGER LTD
 GREEN LANE
 WALSALL PHONE: 01922 471000
 WEST MIDLANDS FAX: 01922 648021
 WS2 8HG

THIS DRAWING & THE DESIGN SHOWN ARE THE PROPERTY OF ALBERT JAGGER LTD AND MUST NOT BE USED OR COPIED BY A THIRD PARTY WITHOUT PERMISSION

DRAWN BY	CHECKED BY	SCALE	MATERIAL	MASS	FINISH	Date	ALL DIMS IN MM UNLESS STATED DO NOT SCALE
S.R	C.H	1 : 6	SEE TABLE	8.790 kg	SEE TABLE	14/07/2022	A3



RETRACTABLE UNDERBODY ACCESS STEP
 5330-003

Edition	Sheet
1	1 / 1