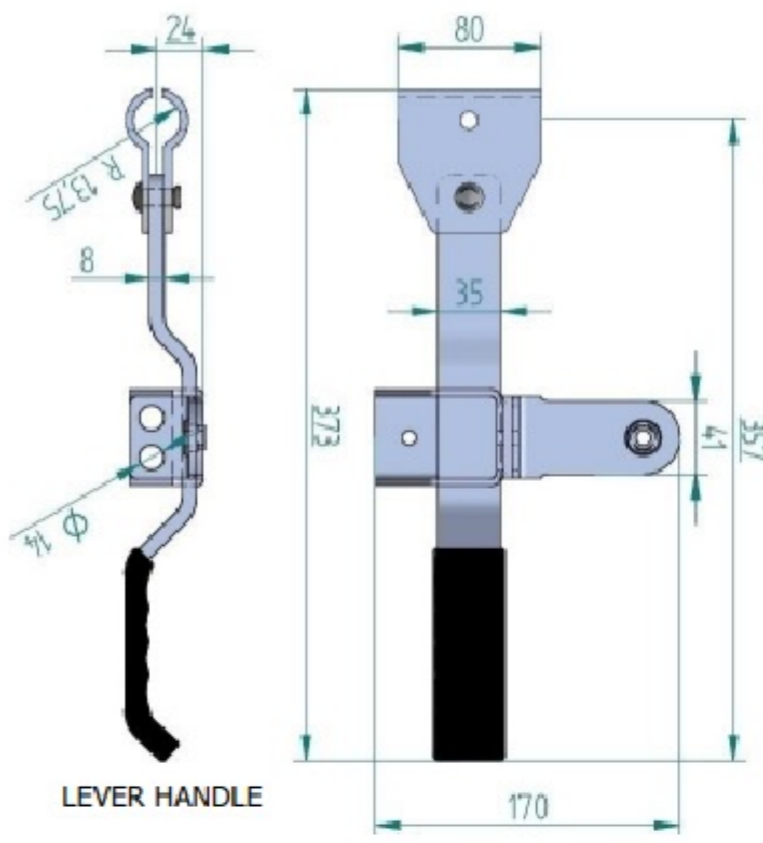
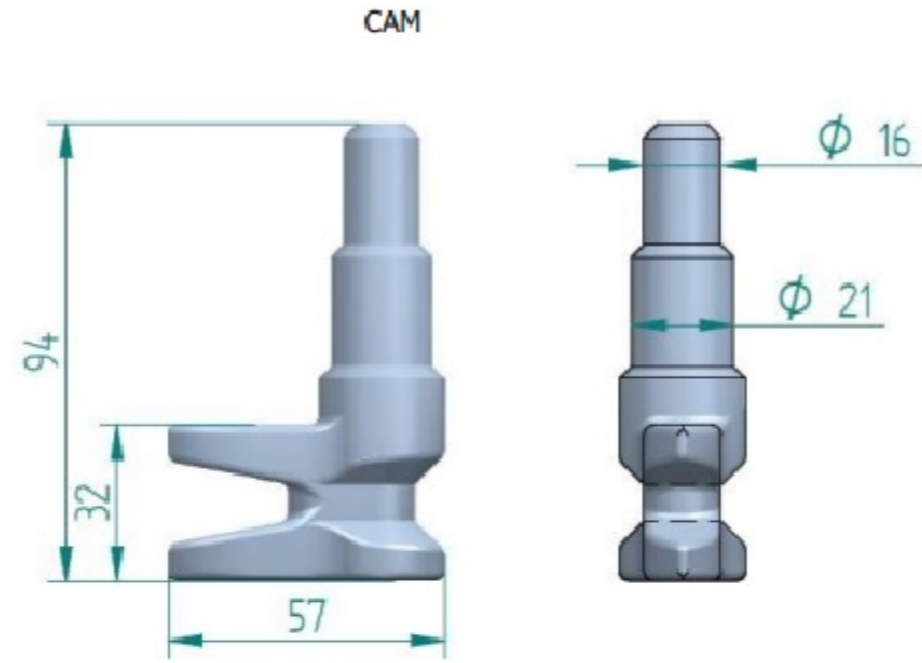


IF IN DOUBT ASK

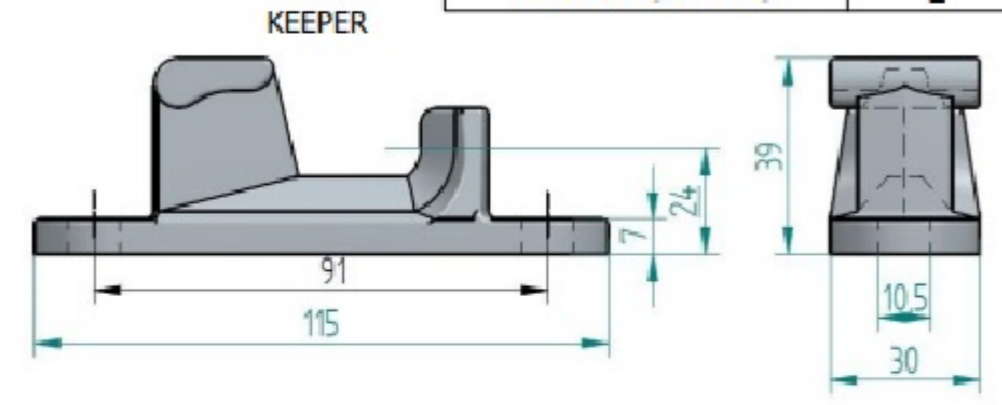
IF IN DOUBT ASK



LEVER HANDLE

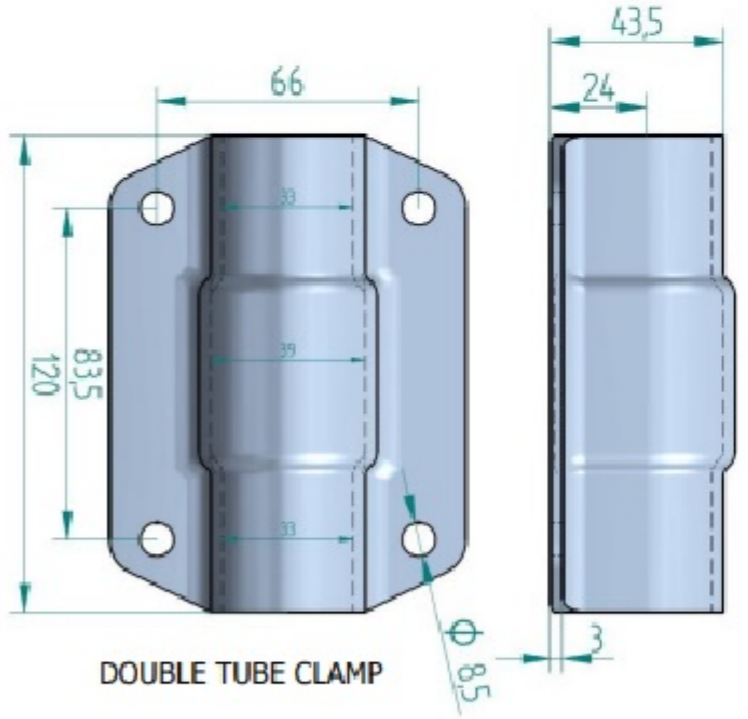


CAM

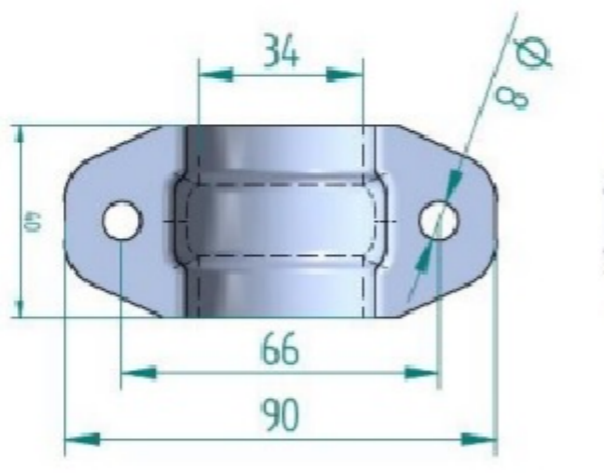


KEEPER

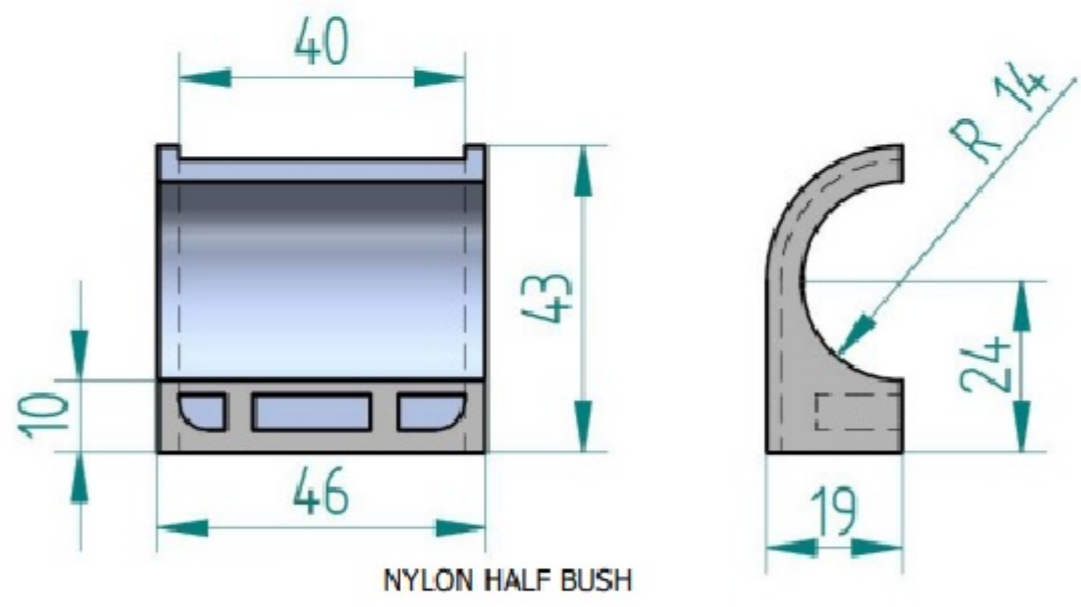
TABLE	
PART	QTY
LEVER HANDLE	1
CAM	2
KEEPER	2
SMALL TUBE CLAMP	3
DOUBLE TUBE CLAMP	2
NYLON HALF BUSH	14
ANTI RACK RING	2



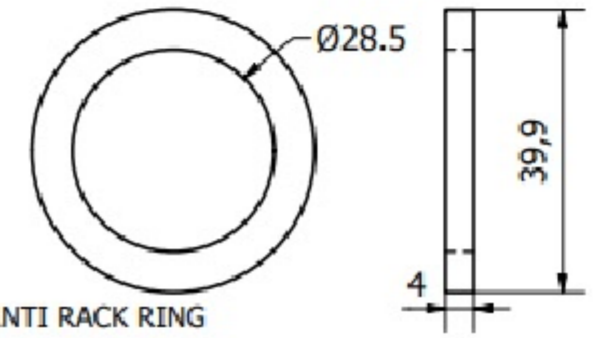
DOUBLE TUBE CLAMP



SMALL TUBE CLAMP



NYLON HALF BUSH



ANTI RACK RING

NOTE:
TO SUIT Ø27 O/D TUBE, NOT SUPPLIED

ZONE	REV.	DESCRIPTION	DATE	APPROVED
	1	VALIDATION COMPLETE	21/03/2023	A.P

REVISIONS

UNLESS OTHERWISE STATED, ALL DIMENSIONS IN mm	
TOLERANCES	SURFACE FINISH 1.6µm Ra
0.5 - 6 = ±0.1mm	FILLET RADII 0.5 TO 1.0
6 - 30 = ±0.2 mm	SQUARENESS 0.05 IN 25
30 - 120 = ±0.3 mm	PARALLELISM 0.05 IN 25
120 - 400 = ±0.5 mm	RUNOUT 0.1
400 - 1000 = ±0.8 mm	ANGLES ±0.5°
1000 - 2000 = ±1.2 mm	
2000 - 4000 = ±2.0 mm	

MATERIAL: M/STEEL
MASS:
FINISH: ZINC PLATED WITH CLEAR PASSIVATION

DRAWN BY: UF
CHECKED BY: A.P

DESCRIPTION: M/STEEL BUSHED GEAR KIT
NUMBER: 6000-3022701Z
REVISION: 1
SHEET: 1 of 1

A3



APPROVED BY: A.P
ORIGINATION DATE: 21/03/2023

SCALE: PROPORTIONAL - DO NOT SCALE
REF SCALE 1:2 WHEN PRINTED ON A3



PROPRIETARY RIGHTS ARE INCLUDED IN THE INFORMATION DISCLOSED HEREIN. NEITHER THIS DOCUMENT NOR ANY INFORMATION DISCLOSED SHALL BE REPRODUCED, USED, TRANSFERRED TO OTHER DOCUMENTS, OR DISCLOSED TO OTHERS FOR ANY PURPOSE INCLUDING MANUFACTURING UNLESS SPECIFICALLY AUTHORISED IN WRITING. REMOVE ALL SHARP EDGES AND BURRS. PART FINISHING AND MARKING TO CESF001