

6 1 5 1 4 3 1 2 1 1

D

D

C

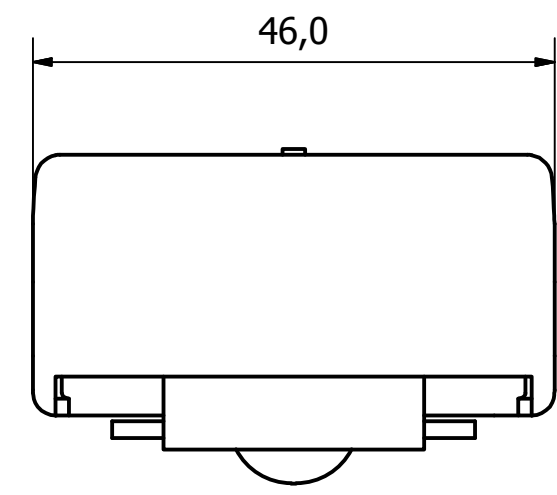
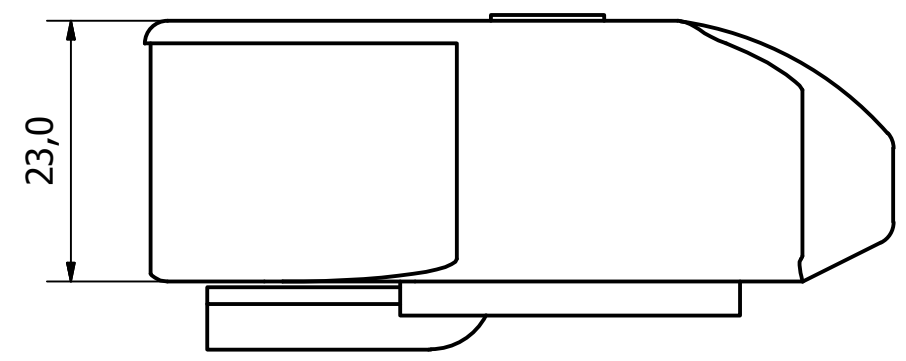
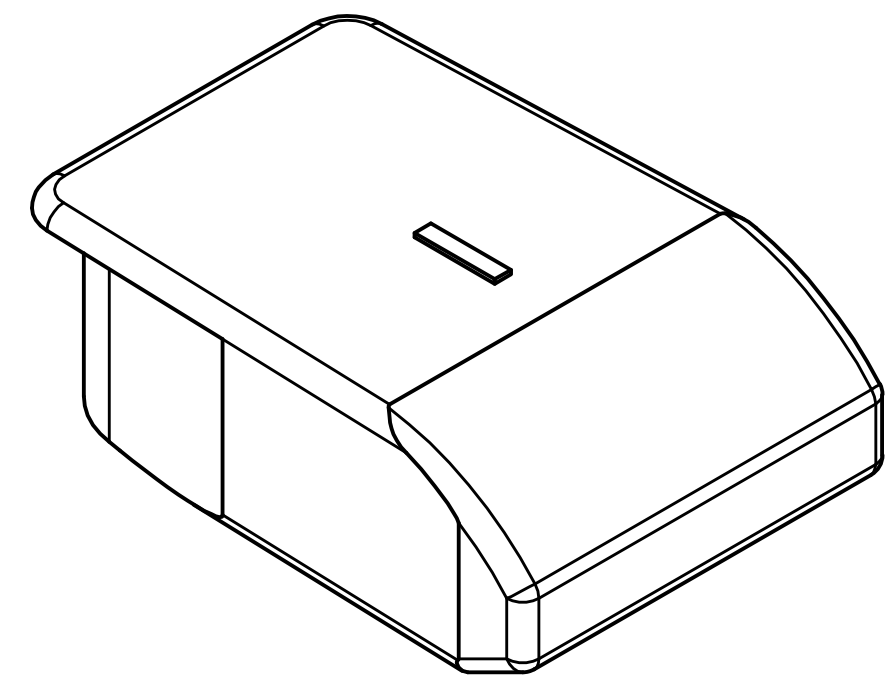
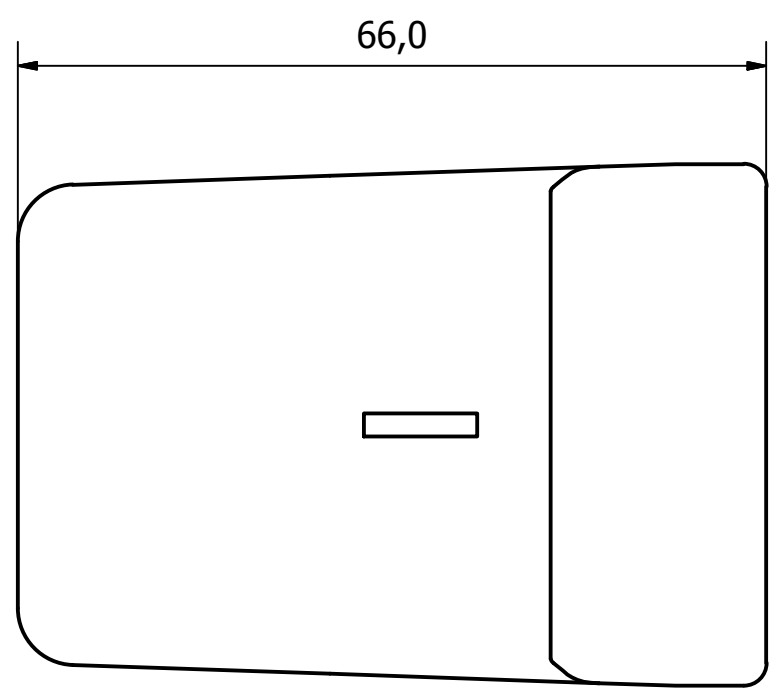
C

B

B

A

A



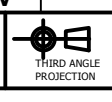
NOTE:  
 MATERIAL - BLUE POLYPROPYLENE COVER, COPPER ALLOY AND STAINLESS STEEL (316)  
 FITS ALL SAE AND DIN BATTERIES  
 RESISTANCE: APPROX 0.12 MICRO OHMS AND 10A.  
 CERTIFIED SAFE UP TO 800A

GENERAL TOLERANCES ON LENGTHS
0.5 - 6 ± 0.1mm
6 - 30 ± 0.2mm
30 - 120 ± 0.3mm
120 - 400 ± 0.5mm
400 - 1000 ± 0.8mm
1000 - 2000 ± 1.2mm
2000 - 4000 ± 2.0mm

ALBERT JAGGER LTD  
 GREEN LANE  
 WALSALL PHONE: 01922 471000  
 WEST MIDLANDS FAX: 01922 648021  
 WS2 8HG  
 THIS DRAWING & THE DESIGN SHOWN ARE THE PROPERTY OF ALBERT JAGGER LTD AND MUST NOT BE USED OR COPIED BY A THIRD PARTY WITHOUT PERMISSION

DRAWN BY  
 U.F

CHECKED BY  
 A.P



SCALE  
 1.5:1

MATERIAL  
 SEE NOTE

MASS  
 0.08kg

FINISH  
 SEE NOTE

Date  
 08/10/2018

ALL DIMS IN MM UNLESS STATED DO NOT SCALE

A3



1		VALIDATION COMPLETE	08/10/18	A.P
REV	DESCRIPTION	DATE	APPROVED	
	BLUE NEGATIVE QUICK RELEASE BATTERY CONNECTOR		Edition	Sheet
	9100-45110		1	1 / 1

6 1 5 1 4 3 1 2 1 1