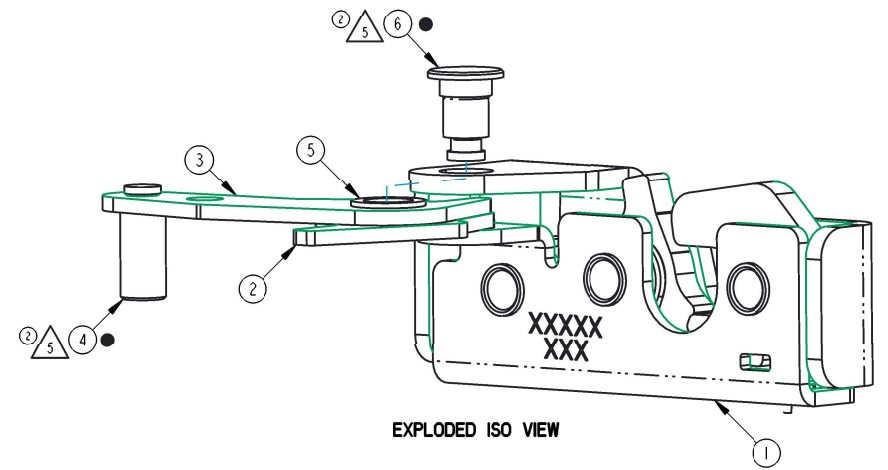
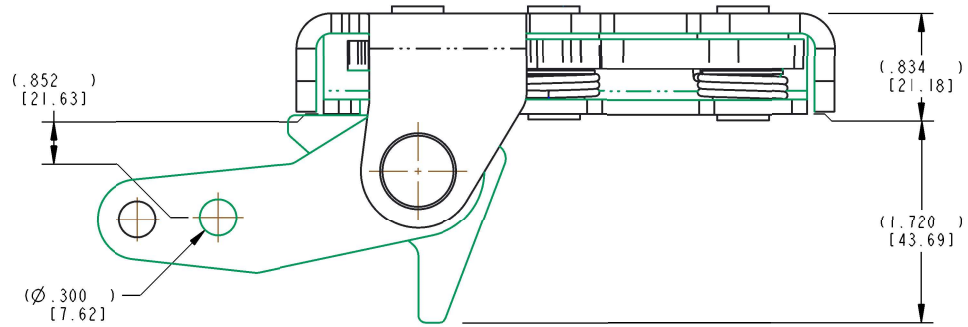
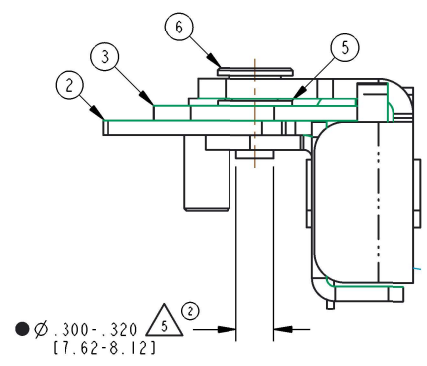
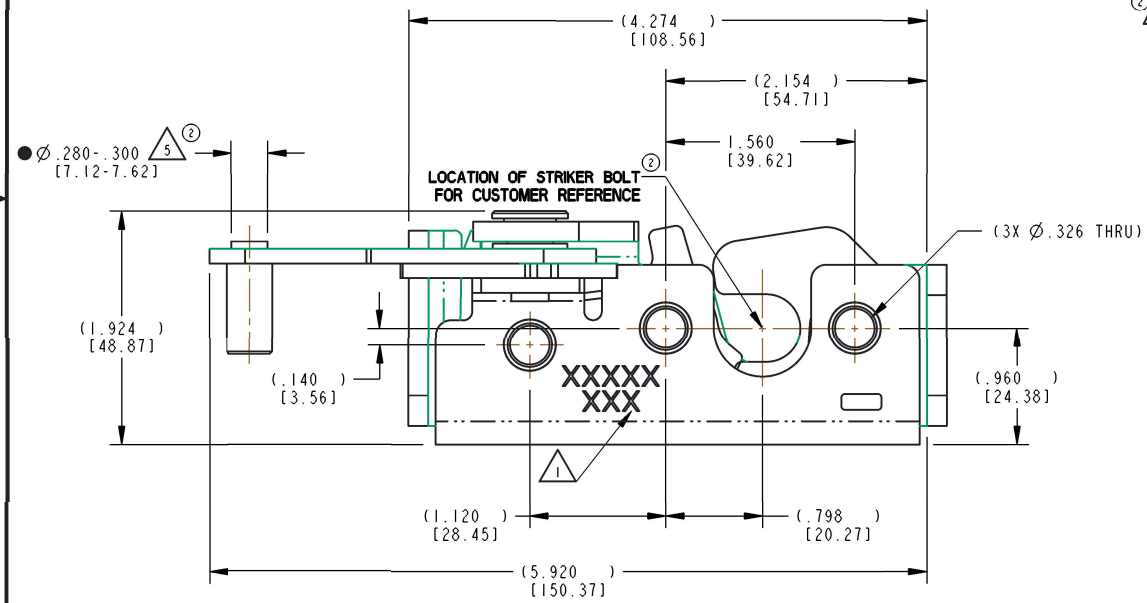


PART NUMBER DESCRIPTION	ITEM 1 BASE LATCH (QTY)	ITEM 2 LEVER (QTY)	ITEM 3 LEVER (QTY)	ITEM 4 PIN (QTY)	ITEM 5 WASHER (QTY)	ITEM 6 RIVET (QTY)	ITEM 7 EXPORT LABEL (QTY)	PACKAGING	PART MARKING
32359-01 050-1600, LH, 2 POSN., 326, DUAL TRIP LVR	0501600-62 (1)	28810-01 (1)	32341-01 (1)	32336-01 (1)	31423-01 (1)	28693-01 (1)	N/A	NONE	32359
32359-02 050-1600, LH, 2 POSN., 326, DUAL TRIP LVR							31287-01 (1)	STANDARD	

REVISION	ECN	ECN BY	DESCRIPTION
1	RLSE	JMH 5/27/14	RELEASED FOR PRODUCTION FROM REVISION D
2	38778	RLD 11-18-14	Ø .280-.300 WAS .290-.310. REFERENCE WAS REFERENCE. UPDATED; NOTE 5 TEXT TO CLARIFY COMPONENTS, NOTE 3 AND NOTE 7 WORDING, PART WEIGHT. REVISED NOTE 5 TO FLAGNOTE. NOTE 6; 32360-XX WAS 32360-01.



EXPLODED ISO VIEW



NOTES: UNLESS OTHERWISE SPECIFIED;

- ① IDENTIFY ASSEMBLY WITH PART NUMBER AND DATE CODE APPROXIMATELY AS SHOWN, OR IN OTHER APPROVED LOCATIONS AS OUTLINED IN ES-121.
- 2. USE WITH TRIMARK'S Ø .550 STRIKER BOLT.
- ② 3. DIMENSIONS SHOWN IN [] ARE METRIC FOR REFERENCE ONLY.
- 4. TIGHTEN M8X1.25 CLASS 10.9 MOUNTING FASTENERS TO THE FASTENER MANUFACTURER'S RECOMMENDED TORQUE VALUE.
- ② ⑤ ITEM 4 (PIN), ITEM 6 (RIVET) CAN NOT SPIN AFTER ROLLING OVER.
- ② 6. OPPOSITE HAND IS 32360-XX.
- ② ⑦ PLACE PART IN BAG AND ADD LABEL (ITEM 7) TO THE OUTSIDE OF BAG, ON EACH ASSEMBLY, FOR EXPORT PURPOSES.

● INDICATES REQUIRED ASSEMBLY INFORMATION. UOS: THE -00 VERSION SHALL BE THE UNFINISHED VERSION OF PART SHOWN. UOS: ALL DIMENSIONS APPLY BEFORE COATING. (ASME Y14.5M-1994, sec. 2.4.1)		TriMark 500 Bailey Avenue P. O. Box 350 New Hampton, Iowa 50659 U.S.A. Tel: 641-394-3188 Fax: 641-394-2392	
TOLERANCES UNLESS OTHERWISE SPECIFIED (UOS) ASME Y14.5M-1994 INCH MILLIMETER X.X ±.1 X ±.3 X.XX ±.03 X.X ±.8 X.XXX ±.010 X.XX ±.25		DRAWN BY: MWS CHECKED BY: GCL PROJECT: 12281 CUSTOMER:	2013-06-27 2014-04-23 PRODUCT CODE: E75 (050-1600)
ANGLES X° ±.3° X.X° ±1.0° X.XX° ±.50°		CUSTOMER PART NUMBER:	DESCRIPTION: SEE BOM
REF. T/M OF 4.20-2 FOR SUP. QUALITY REQ. REF. T/M OF 4.20-3 FOR INT. QUALITY REQ.		PART WEIGHT: (1.19 LB)	SIZE: C SCALE: 1.25 PART NUMBER: 32359