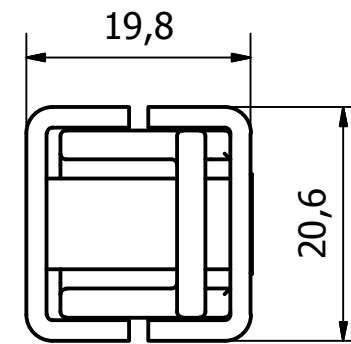
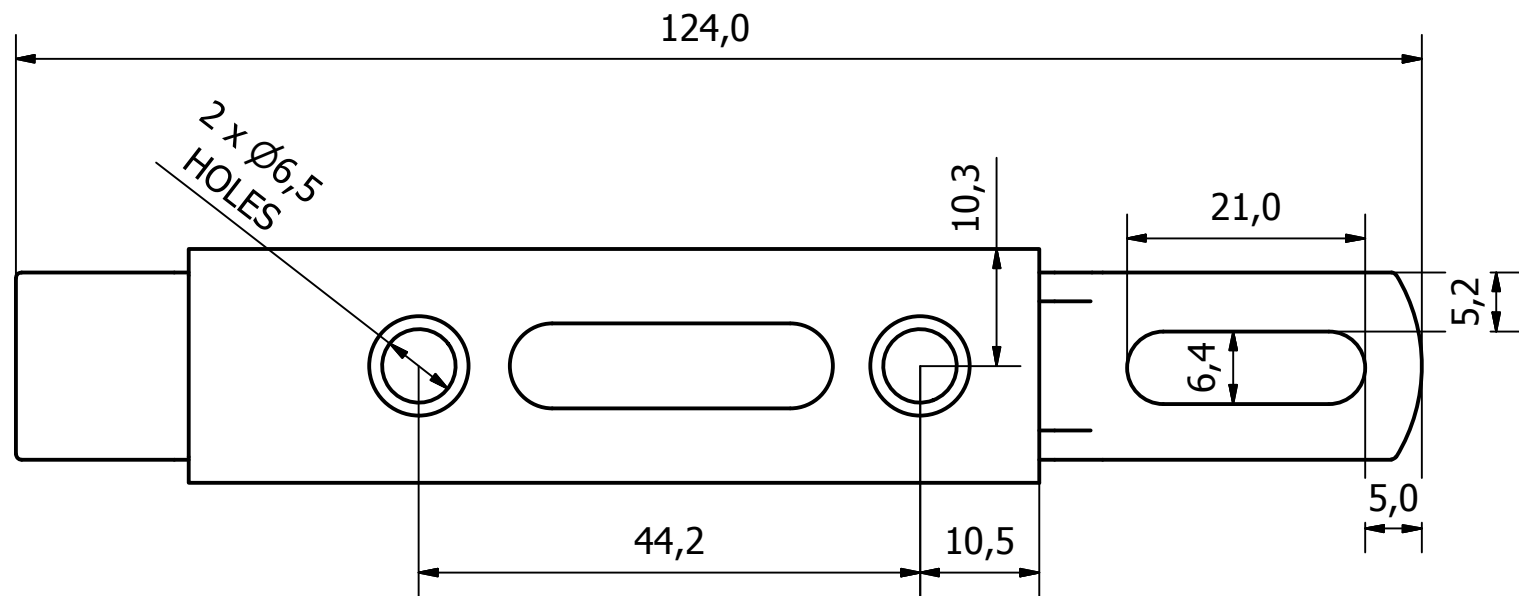
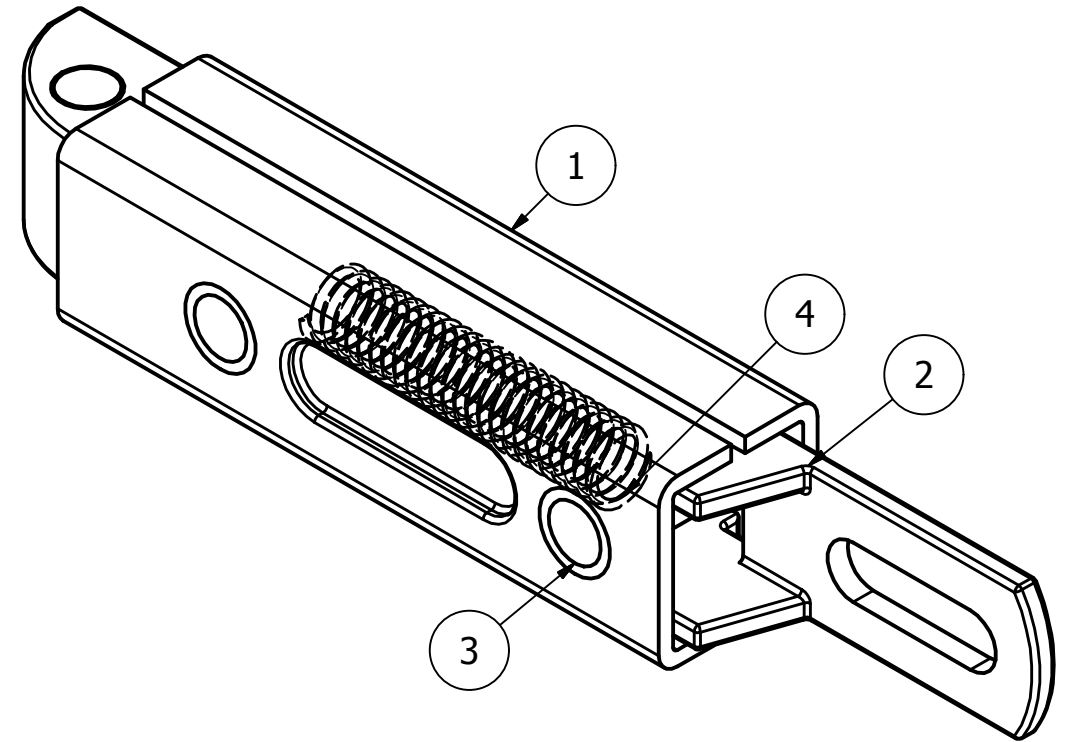
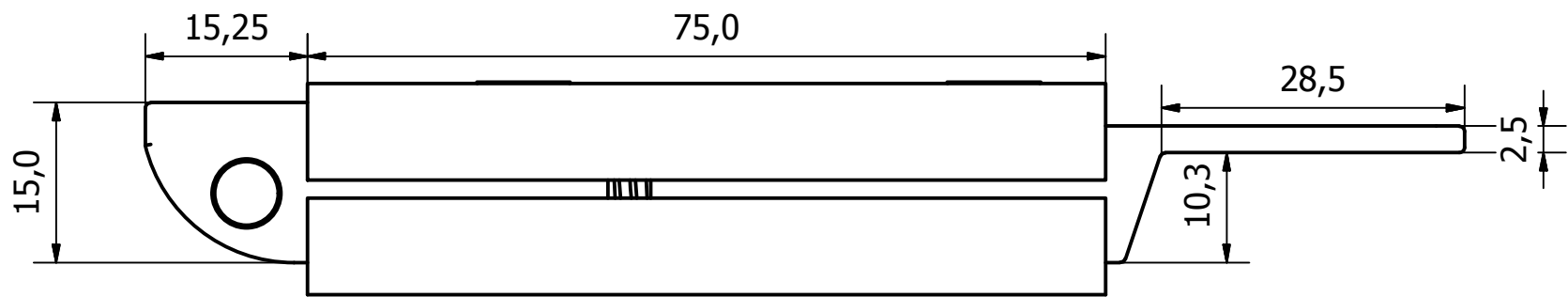


PARTS LIST			
ITEM	QTY	PART NUMBER	DESCRIPTION
1	2	9800-3830-1	M/STEEL SLAM BODY
2	1	9800-3830-2	M/STEEL SLAM TONGUE
3	2	9800-3830-3	M/STEEL DOUBLE END RIVET
4	1	9800-3830-4	M/STEEL COIL SPRING



1	VALIDATION COMPLETE	28/07/17	A.P
REV	DESCRIPTION	DATE	APPROVED

GENERAL TOLERANCES ON LENGTHS
0.5 - 6 ± 0.1mm
6 - 30 ± 0.2mm
30 - 120 ± 0.3mm
120 - 400 ± 0.5mm
400 - 1000 ± 0.8mm
1000 - 2000 ± 1.2mm
2000 - 4000 ± 2.0mm

ALBERT JAGGER LTD
 GREEN LANE
 WALSALL PHONE: 01922 471000
 WEST MIDLANDS FAX: 01922 648021
 WS2 8HG

THIS DRAWING & THE DESIGN SHOWN ARE THE PROPERTY OF ALBERT JAGGER LTD AND MUST NOT BE USED OR COPIED BY A THIRD PARTY WITHOUT PERMISSION

DRAWN BY
U.F

CHECKED BY
A.P



SCALE
1.5:1

MATERIAL
-

MASS
0.160 kg

FINISH
Z/C
PASSIVATE

Date
25/05/2017

ALL DIMS IN MM UNLESS STATED DO NOT SCALE

A3



M/STEEL END SLAM 124mm O/A		Edition 1	Sheet 1 / 1
9800-3830			