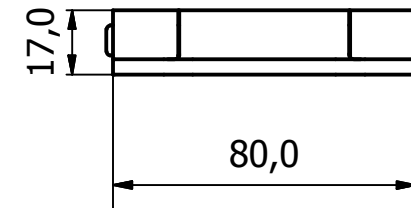
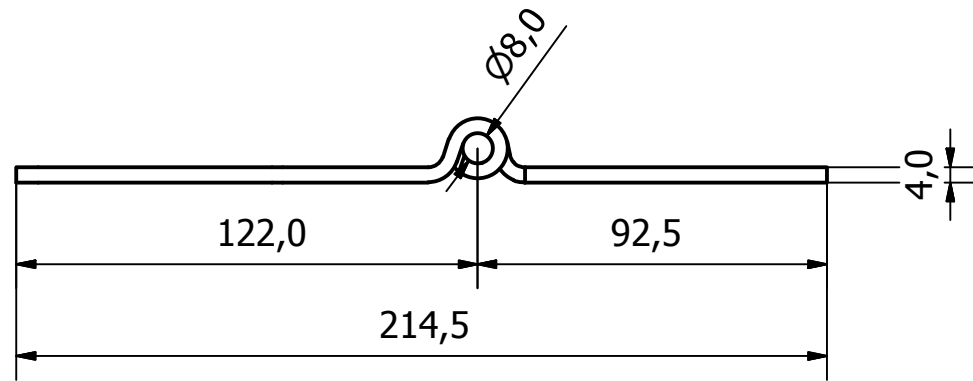
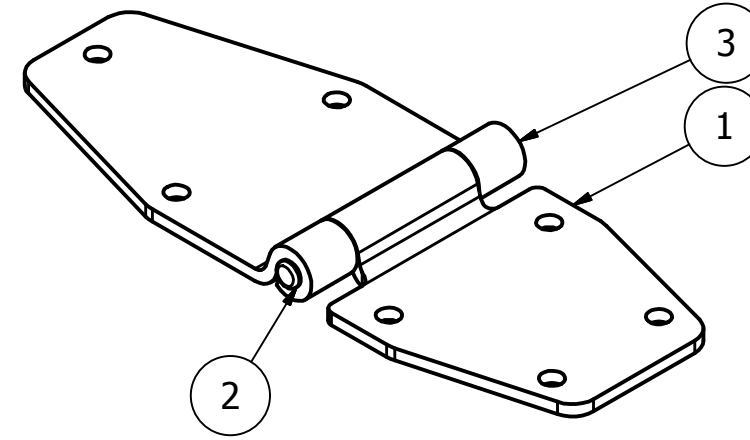
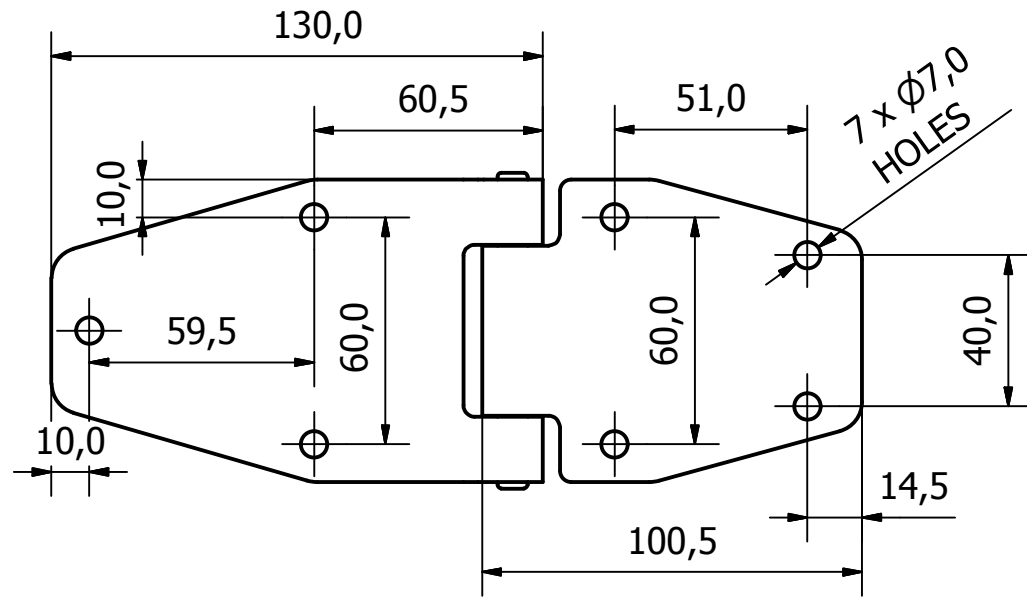


PART No	MATERIAL	FINISH
9810/6350	S/S - T304	MIRROR POLISH
9810/6360	MILD STEEL	Z/C PASSIVATE

PARTS LIST			
ITEM	QTY	PART NUMBER	DESCRIPTION
1	1	9810-6350-1	SS HINGE MAIN PLATE - T304
2	1	9810-6350-2	SS HINGE PIN 83.5 O/A - T304
3	1	9810-6350-3	SS HINGE MOUNTING PLATE - T304



NOTE:  
HINGE DESIGNED FOR 180° APPLICATIONS  
BUT WILL ROTATE THROUGH 270°

GENERAL TOLERANCES ON LENGTHS
0.5 - 6 ± 0.1mm
6 - 30 ± 0.2mm
30 - 120 ± 0.3mm
120 - 400 ± 0.5mm
400 - 1000 ± 0.8mm
1000 - 1200 ± 1.2mm
2000 - 4000 ± 2.0mm

ALBERT JAGGER LTD  
GREEN LANE  
WALSALL PHONE: 01922 471000  
WEST MIDLANDS FAX: 01922 648021  
WS2 8HG

THIS DRAWING & THE DESIGN SHOWN  
ARE THE PROPERTY OF ALBERT JAGGER LTD  
AND MUST NOT BE USED OR COPIED BY A  
THIRD PARTY WITHOUT PERMISSION

DRAWN BY  
U.F

CHECKED BY  
A.P

THIRD ANGLE  
PROJECTION

SCALE  
1 : 2

MATERIAL  
-

MASS  
0.548 kg

FINISH  
MIRROR  
POLISH

Date  
27/09/2016

ALL DIMS IN MM  
UNLESS STATED  
DO NOT SCALE

A3

1	VALIDATION COMPLETE	12/10/16	A.P
REV	DESCRIPTION	DATE	APPROVED



SS PRESSED HINGE - T304	
9810-6350	Edition 1 / Sheet 1 / 1