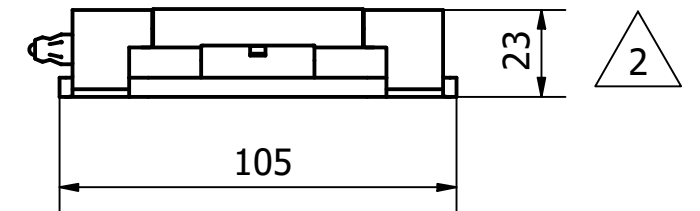
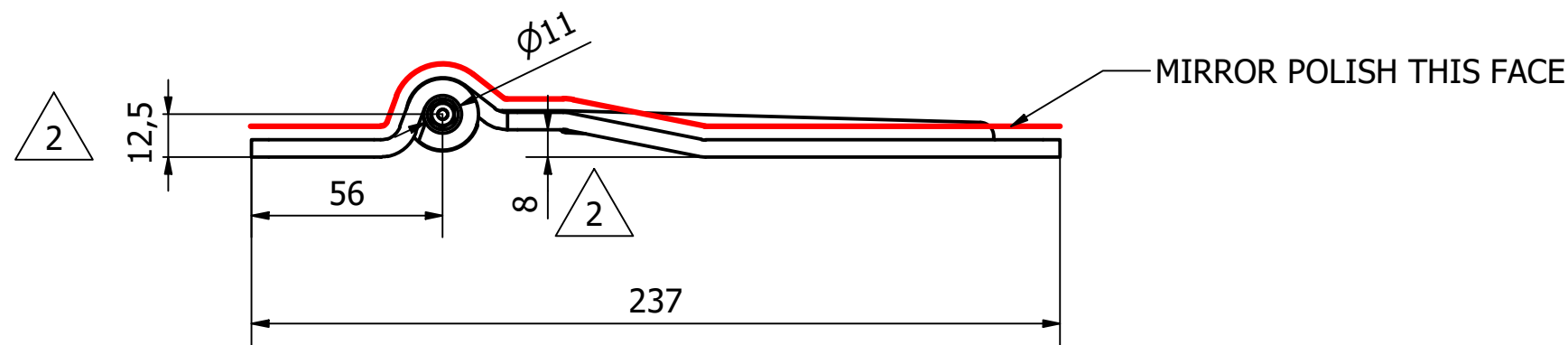
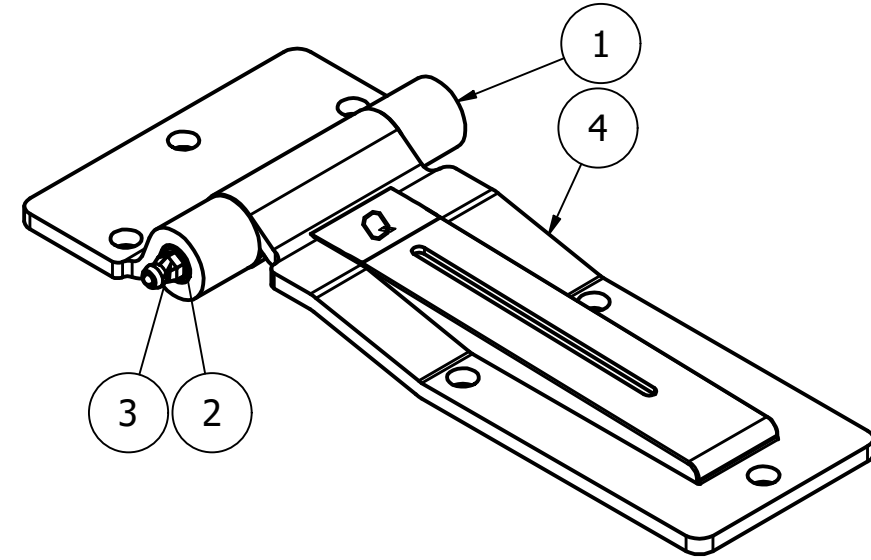
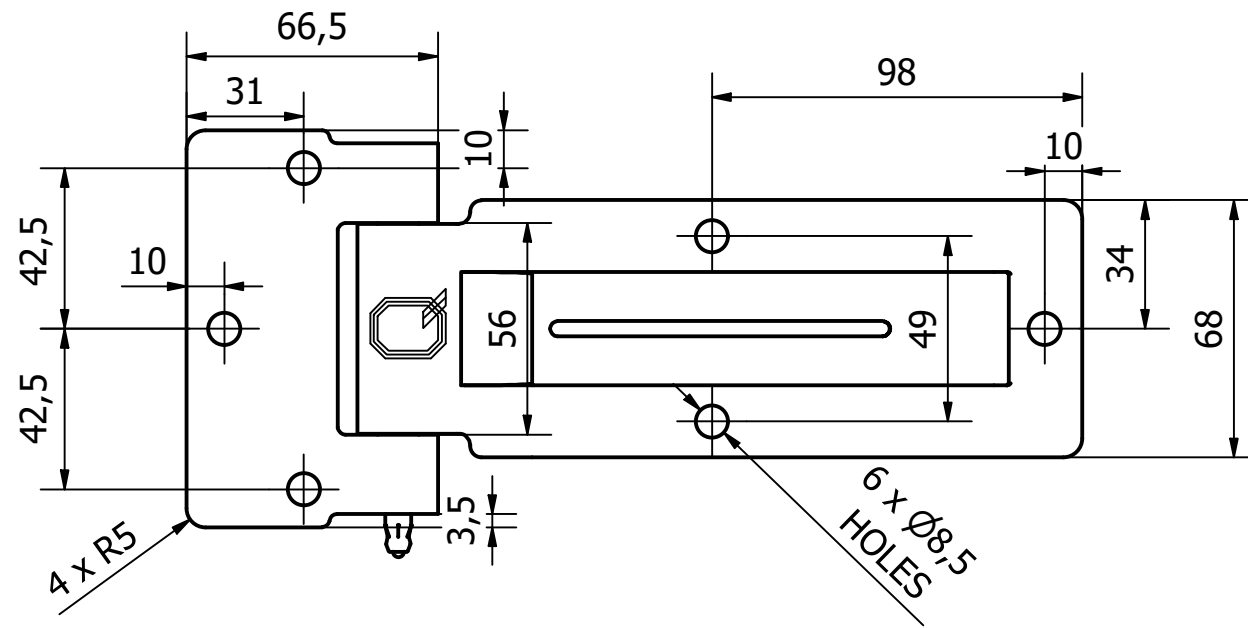


PARTS LIST			
ITEM	QTY	PART NUMBER	DESCRIPTION
1	1	9820-1181-1	SS HINGE BASE PLATE
2	1	9820-1181-2	SS HINGE PIN - 98 O/A
3	1	GREASE NIPPLE	GREASE NIPPLE
4	1	9820-1181-3	SS HINGE MAIN PLATE



NOTE:  
HINGE DESIGNED FOR 180° APPLICATIONS  
BUT WILL ROTATE THROUGH TO 270°

GENERAL TOLERANCES ON LENGTHS
0.5 - 6 ± 0.1mm
6 - 30 ± 0.2mm
30 - 120 ± 0.3mm
120 - 400 ± 0.5mm
400 - 1000 ± 0.8mm
1000 - 1200 ± 1.2mm
2000 - 4000 ± 2.0mm

ALBERT JAGGER LTD  
GREEN LANE  
WALSALL PHONE: 01922 471000  
WEST MIDLANDS FAX: 01922 648021  
WS2 8HG

THIS DRAWING & THE DESIGN SHOWN  
ARE THE PROPERTY OF ALBERT JAGGER LTD  
AND MUST NOT BE USED OR COPIED BY A  
THIRD PARTY WITHOUT PERMISSION

DRAWN BY  
U.F

CHECKED BY  
A.P

THIRD ANGLE  
PROJECTION

SCALE  
1 : 2

MATERIAL  
-

MASS  
N/A

FINISH  
SEE NOTE

Date  
22/09/2016

ALL DIMS IN MM  
UNLESS STATED  
DO NOT SCALE

APPROVED  
A3



PRESSED SS STEEL HINGE - CRANKED BLADE C/W GREASE NIPPLE RH  
9820-1180  
Edition 2  
Sheet 1 / 1

2	HEIGHT ADJUSTED	26/07/21	U.F
1	VALIDATION COMPLETE	03/11/16	A.P
REV	DESCRIPTION	DATE	APPROVED