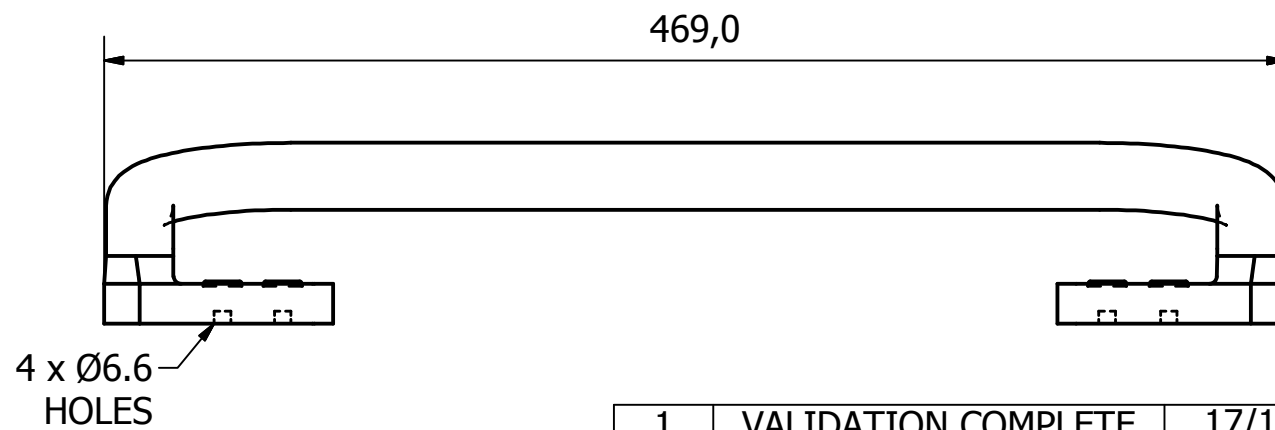
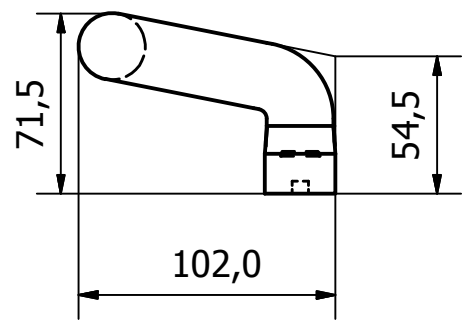


NOTE:
 EXPANDED POLYURETHENE FOAM ON A 10mm SPRING
 STEEL CORE
 SEMI GLOSS YELLOW FINISH



GENERAL TOLERANCES ON LENGTHS	
0.5 - 6 ± 0.1mm	
6 - 30 ± 0.2mm	
30 - 120 ± 0.3mm	
120 - 400 ± 0.5mm	
400 - 1000 ± 0.8mm	
1000 - 1200 ± 1.2mm	
2000 - 4000 ± 2.0mm	

ALBERT JAGGER LTD
 GREEN LANE
 WALSALL PHONE: 01922 471000
 WEST MIDLANDS FAX: 01922 648021
 WS2 8HG

THIS DRAWING & THE DESIGN SHOWN
 ARE THE PROPERTY OF ALBERT JAGGER LTD
 AND MUST NOT BE USED OR COPIED BY A
 THIRD PARTY WITHOUT PERMISSION

DRAWN BY
 U.F

CHECKED BY
 A.P



SCALE
 1:3

MATERIAL
 -

MASS
 0.76kg

FINISH
 SEE NOTE

Date
 16/11/2016

ALL DIMS IN MM
 UNLESS STATED
 DO NOT SCALE

A3



1	VALIDATION COMPLETE	17/11/16	A.P
REV	DESCRIPTION	DATE	APPROVED
	PULL HANDLE - SEMI GLOSS YELLOW 469 O/A		
0080-102		Edition 1	Sheet 1 / 1