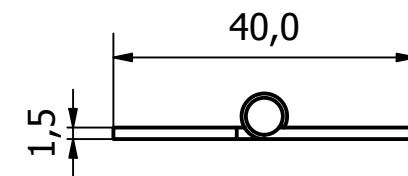
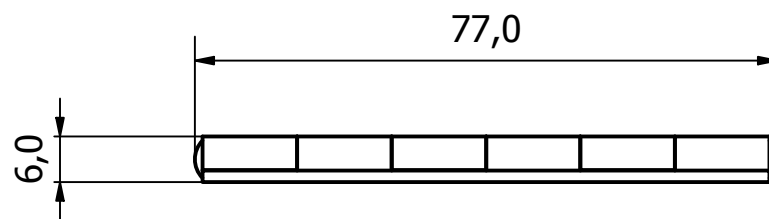
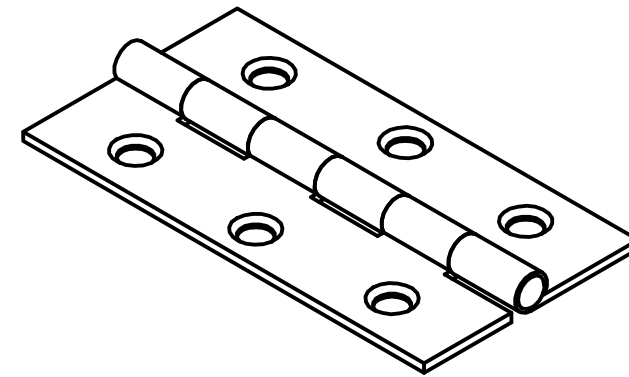


6 x Ø7,1 HOLES  $\sphericalangle$  Ø5.1 @ 90°



1	VALIDATION COMPLETE	03/01/19	A.P
REV	DESCRIPTION	DATE	APPROVED
		23/11/2018	

DRAWN BY A.S	CHECKED BY A.P	SCALE 1 : 1	MATERIAL S/STEEL T304	MASS 0.046 kg	FINISH NATURAL	Date 23/11/2018	ALL DIMS IN MM UNLESS STATED DO NOT SCALE	A3
S/STEEL BUTT HINGE 75mm x 40mm							Edition 1	Sheet 1 / 1
0486-5213990								

GENERAL TOLERANCES ON LENGTHS
0.5 - 6 ± 0.1mm
6 - 30 ± 0.2mm
30 - 120 ± 0.3mm
120 - 400 ± 0.5mm
400 - 1000 ± 0.8mm
1000 - 2000 ± 1.2mm
2000 - 4000 ± 2.0mm

ALBERT JAGGER LTD  
GREEN LANE  
WALSALL PHONE: 01922 471000  
WEST MIDLANDS FAX: 01922 648021  
WS2 8HG

THIS DRAWING & THE DESIGN SHOWN  
ARE THE PROPERTY OF ALBERT JAGGER LTD  
AND MUST NOT BE USED OR COPIED BY A  
THIRD PARTY WITHOUT PERMISSION

THIRD ANGLE  
PROJECTION



0486-5213990