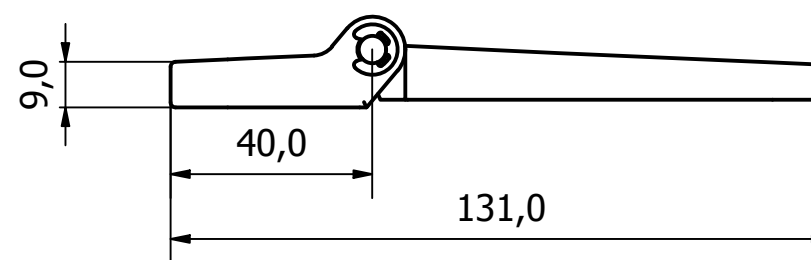
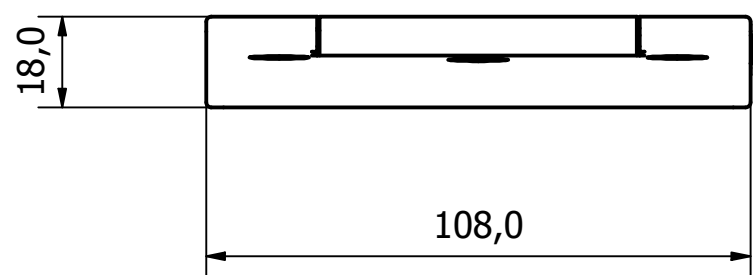
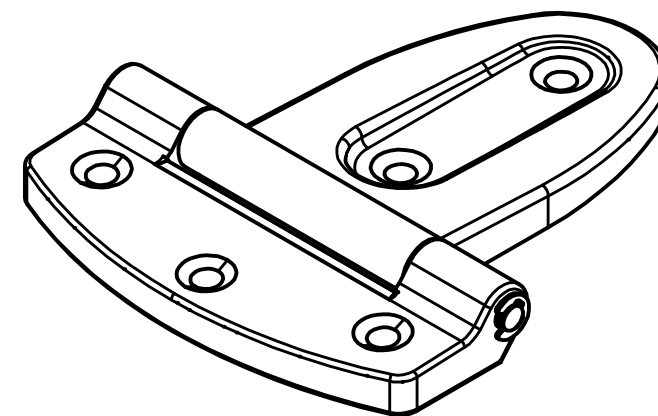


5 x Ø11,8 HOLES \surd Ø6.8 @ 90°



1	VALIDATION COMPLETE	03/01/19	A.P
REV	DESCRIPTION	DATE	APPROVED

GENERAL TOLERANCES ON LENGTHS

0.5 - 6 ± 0.1mm
6 - 30 ± 0.2mm
30 - 120 ± 0.3mm
120 - 400 ± 0.5mm
400 - 1000 ± 0.8mm
1000 - 2000 ± 1.2mm
2000 - 4000 ± 2.0mm

ALBERT JAGGER LTD
 GREEN LANE
 WALSALL PHONE: 01922 471000
 WEST MIDLANDS FAX: 01922 648021
 WS2 8HG

THIS DRAWING & THE DESIGN SHOWN ARE THE PROPERTY OF ALBERT JAGGER LTD AND MUST NOT BE USED OR COPIED BY A THIRD PARTY WITHOUT PERMISSION

DRAWN BY
A.S

CHECKED BY
A.P



SCALE
1:1.5

MATERIAL
PC/ABS
PLASTIC

MASS
0.019 kg

FINISH
BLACK

Date
23/11/2018

ALL DIMS IN MM UNLESS STATED DO NOT SCALE

A3



PC/ABS PLASTIC BUTT HINGE 108mm x 131mm

0486-5419000

Edition 1	Sheet 1 / 1
--------------	----------------