

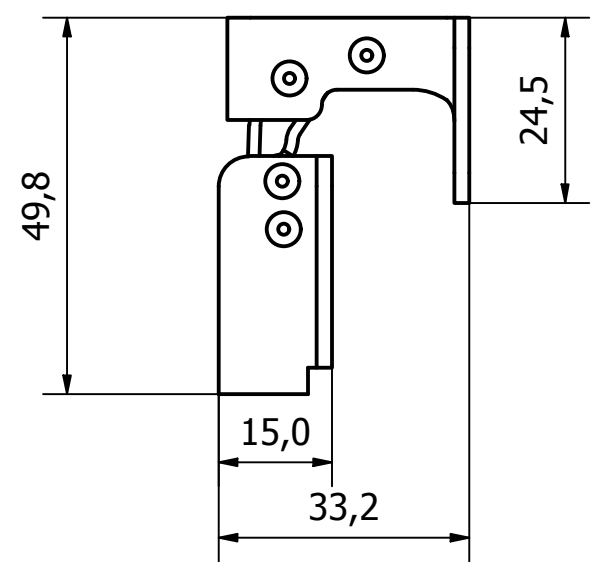
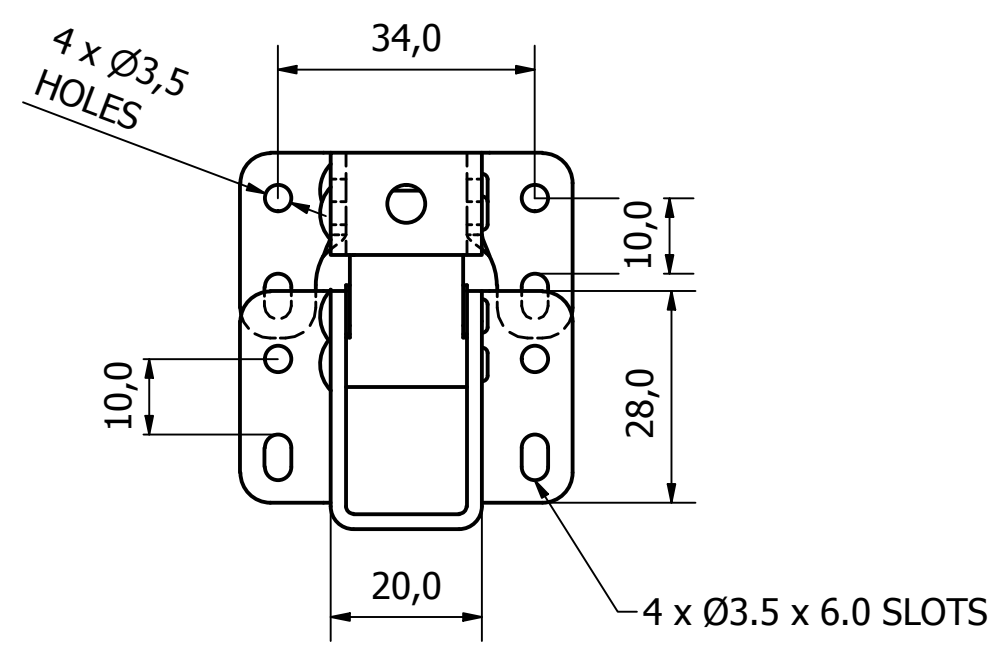
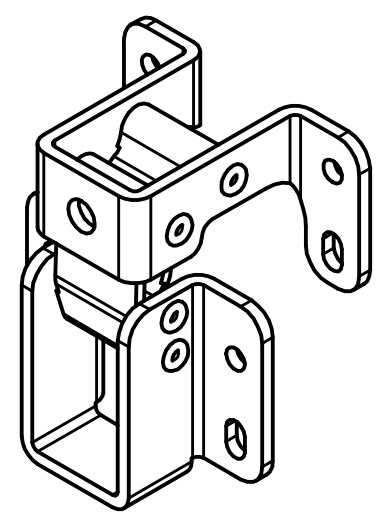
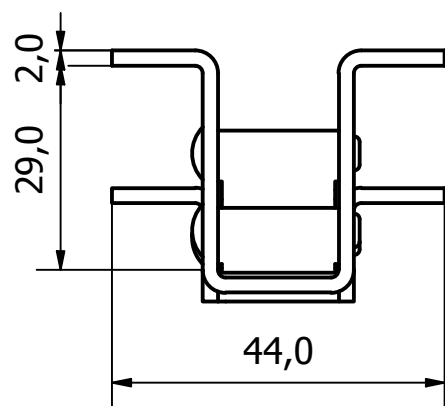
6 5 4 3 2 1

D

C

B

A



NOTE:
90° OPENING

1	VALIDATION COMPLETE	03/01/19	A.P
REV	DESCRIPTION	DATE	APPROVED

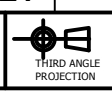
GENERAL TOLERANCES ON LENGTHS	
0.5 - 6 ± 0.1mm	
6 - 30 ± 0.2mm	
30 - 120 ± 0.3mm	
120 - 400 ± 0.5mm	
400 - 1000 ± 0.8mm	
1000 - 2000 ± 1.2mm	
2000 - 4000 ± 2.0mm	

ALBERT JAGGER LTD
GREEN LANE
WALSALL PHONE: 01922 471000
WEST MIDLANDS FAX: 01922 648021
WS2 8HG

THIS DRAWING & THE DESIGN SHOWN ARE THE PROPERTY OF ALBERT JAGGER LTD AND MUST NOT BE USED OR COPIED BY A THIRD PARTY WITHOUT PERMISSION

DRAWN BY
A.S

CHECKED BY
A.P



SCALE
1 : 1

MATERIAL
M/STEEL

MASS
0.068 kg

FINISH
Z + C
PASSIVATE

Date
23/11/2018

ALL DIMS IN MM
UNLESS STATED
DO NOT SCALE

A3



CONCEALED CANTILEVER HINGE 44mm x 29mm

0486-7013520

Edition 1	Sheet 1 / 1
--------------	----------------

6 5 4 3 2 1