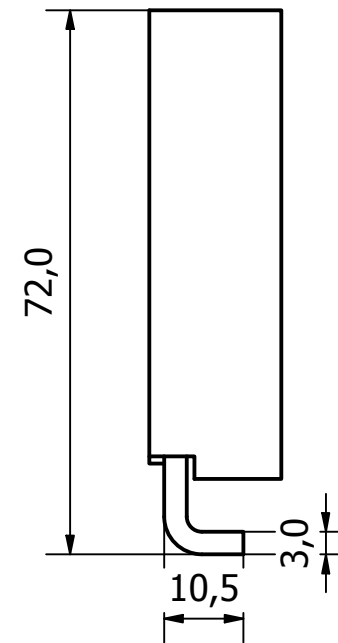
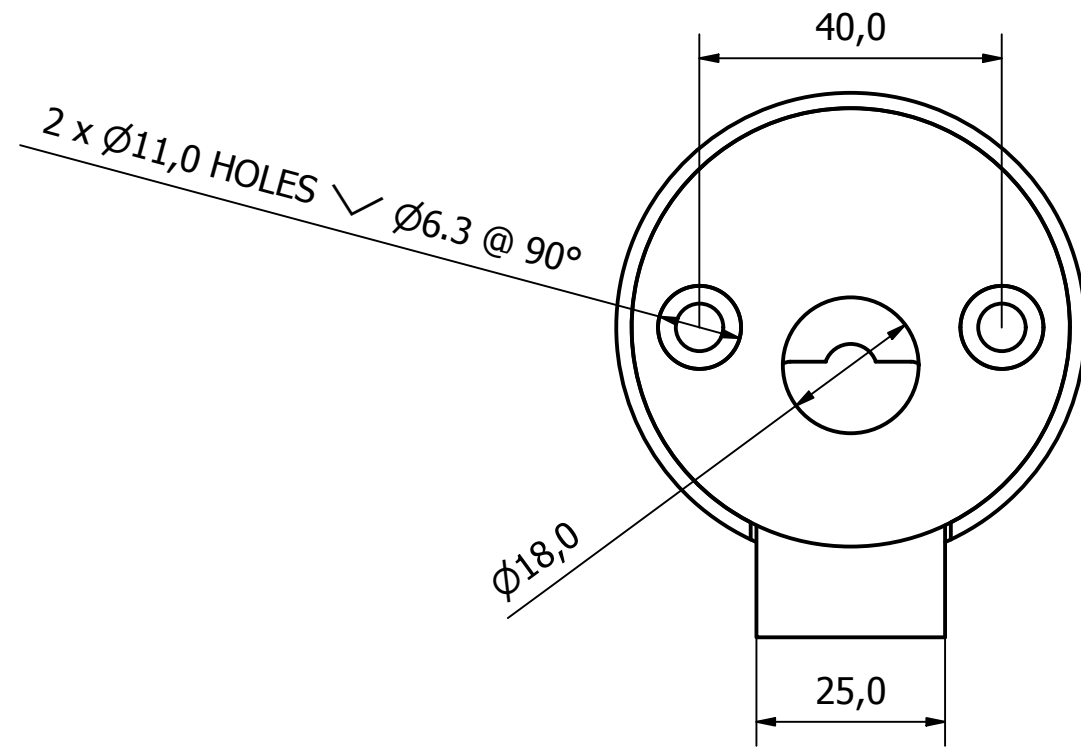
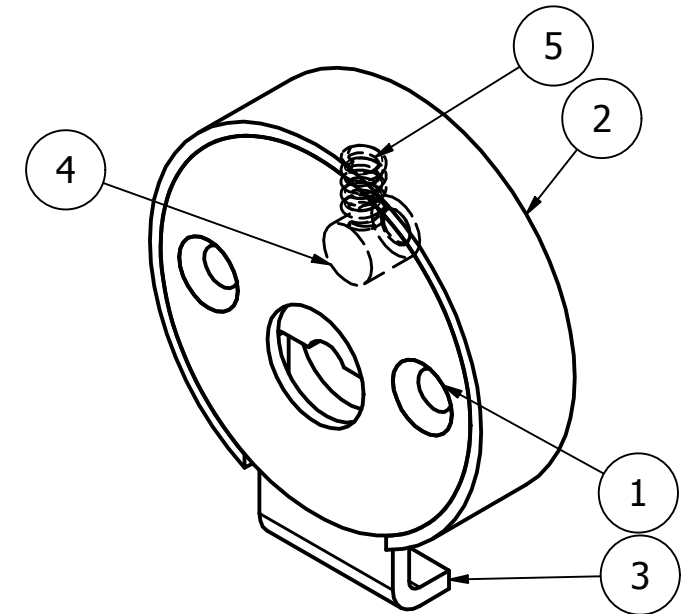
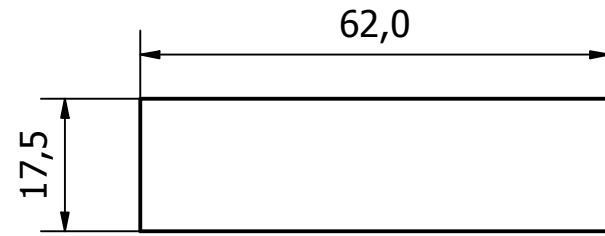


PARTS LIST			
ITEM	QTY	PART NUMBER	DESCRIPTION
1	1	0500-005-1	T304 S/STEEL FACE
2	1	0500-005-2	BLACK NYLON WASHER
3	1	0500-005-3	T304 S/STEEL TONGUE
4	1	0500-005-4	T304 S/STEEL PIN
5	1	0500-005-5	T304 S/STEEL SPRING



1	VALIDATION COMPLETE	15/02/19	A.P
REV	DESCRIPTION	DATE	APPROVED

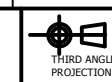
GENERAL TOLERANCES ON LENGTHS
0.5 - 6 ± 0.1mm
6 - 30 ± 0.2mm
30 - 120 ± 0.3mm
120 - 400 ± 0.5mm
400 - 1000 ± 0.8mm
1000 - 2000 ± 1.2mm
2000 - 4000 ± 2.0mm

ALBERT JAGGER LTD
 GREEN LANE
 WALSALL PHONE: 01922 471000
 WEST MIDLANDS FAX: 01922 648021
 WS2 8HG

THIS DRAWING & THE DESIGN SHOWN ARE THE PROPERTY OF ALBERT JAGGER LTD AND MUST NOT BE USED OR COPIED BY A THIRD PARTY WITHOUT PERMISSION

DRAWN BY
A.S

CHECKED BY
A.P



SCALE
1 : 1

MATERIAL
SEE TABLE

MASS
0.099 kg

FINISH
SEE TABLE

Date
07/01/2019

ALL DIMS IN MM UNLESS STATED DO NOT SCALE

A3



DOOR RETAINER - 0500 SERIES - FEMALE
 0500-005

Edition 1	Sheet 1 / 1
--------------	----------------