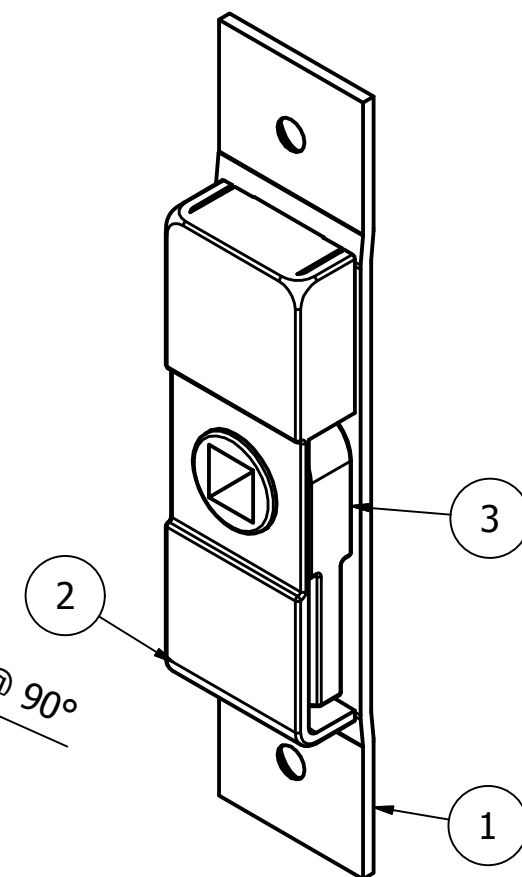
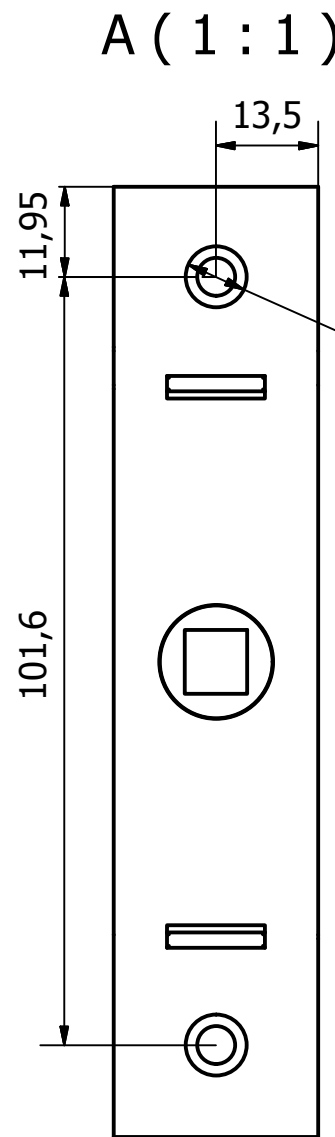
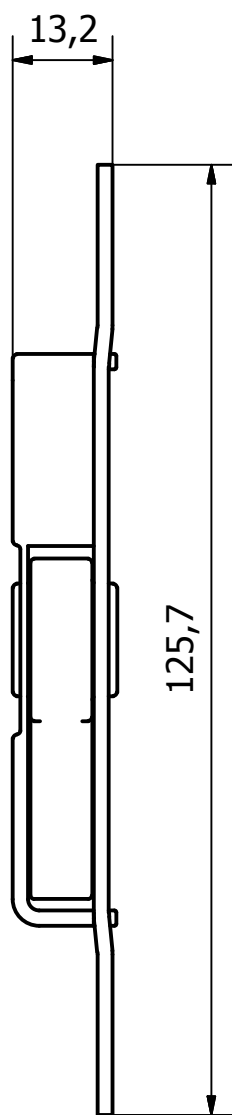
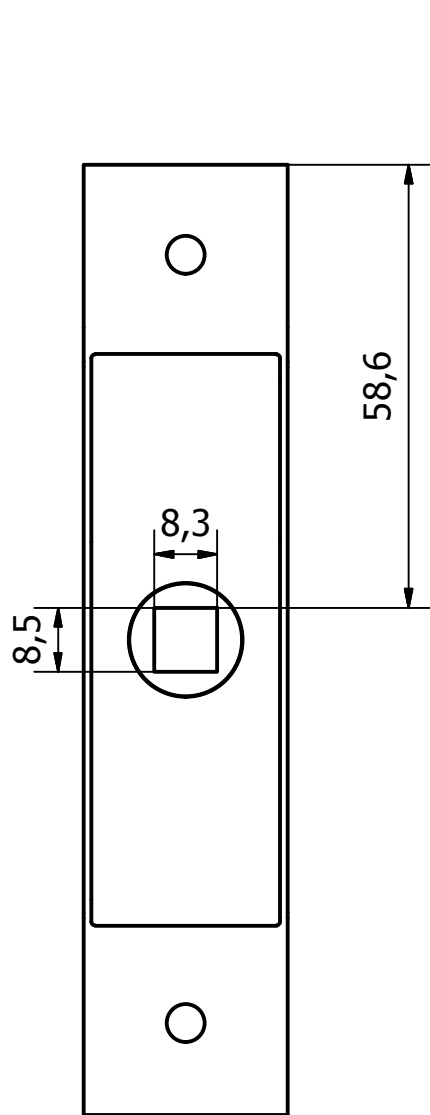
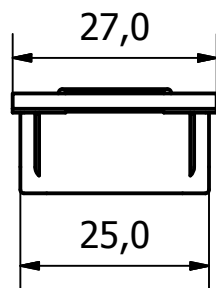


PARTS LIST			
ITEM	QTY	PART NUMBER	DESCRIPTION
1	1	0750-002-1	M/STEEL LOCK BASE PLATE
2	1	0750-002-2	M/STEEL LOCK TOP PLATE
3	1	0750-002-3	M/STEEL LOCK TONGUE



GENERAL TOLERANCES ON LENGTHS
0.5 - 6 ± 0.1mm
6 - 30 ± 0.2mm
30 - 120 ± 0.3mm
120 - 400 ± 0.5mm
400 - 1000 ± 0.8mm
1000 - 2000 ± 1.2mm
2000 - 4000 ± 2.0mm

ALBERT JAGGER LTD
GREEN LANE
WALSALL PHONE: 01922 471000
WEST MIDLANDS FAX: 01922 648021
WS2 8HG

THIS DRAWING & THE DESIGN SHOWN ARE THE PROPERTY OF ALBERT JAGGER LTD AND MUST NOT BE USED OR COPIED BY A THIRD PARTY WITHOUT PERMISSION

DRAWN BY
U.F

CHECKED BY
A.P

THIRD ANGLE PROJECTION

SCALE
1:1

MATERIAL
-

MASS
0.150 kg

FINISH
Z/C
PASSIVATE

Date
09/05/2017

ALL DIMS IN MM UNLESS STATED DO NOT SCALE

A3



M/STEEL BUDGET LOCK
0750-002

Edition
1

Sheet
1 / 1

1	VALIDATION COMPLETE	27/07/17	A.P
REV	DESCRIPTION	DATE	APPROVED