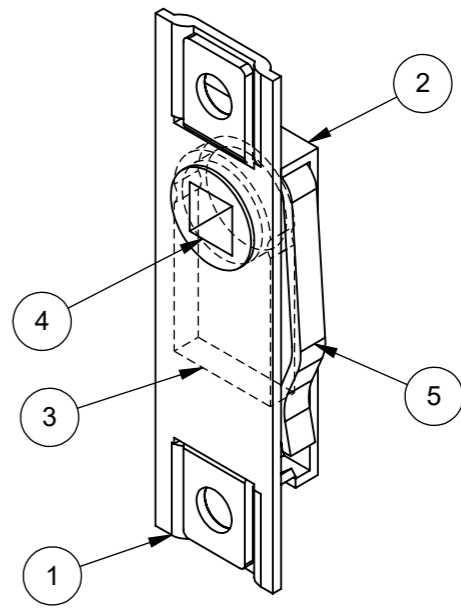
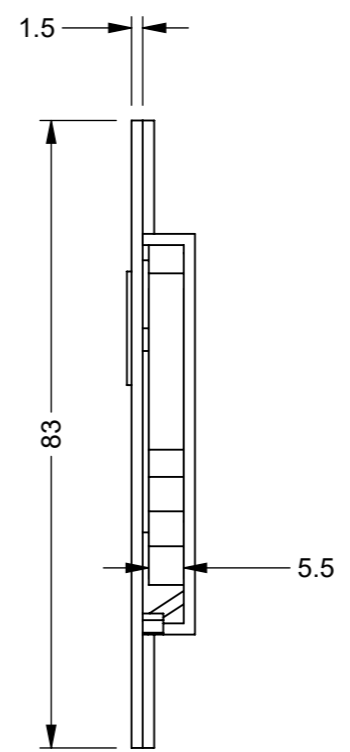
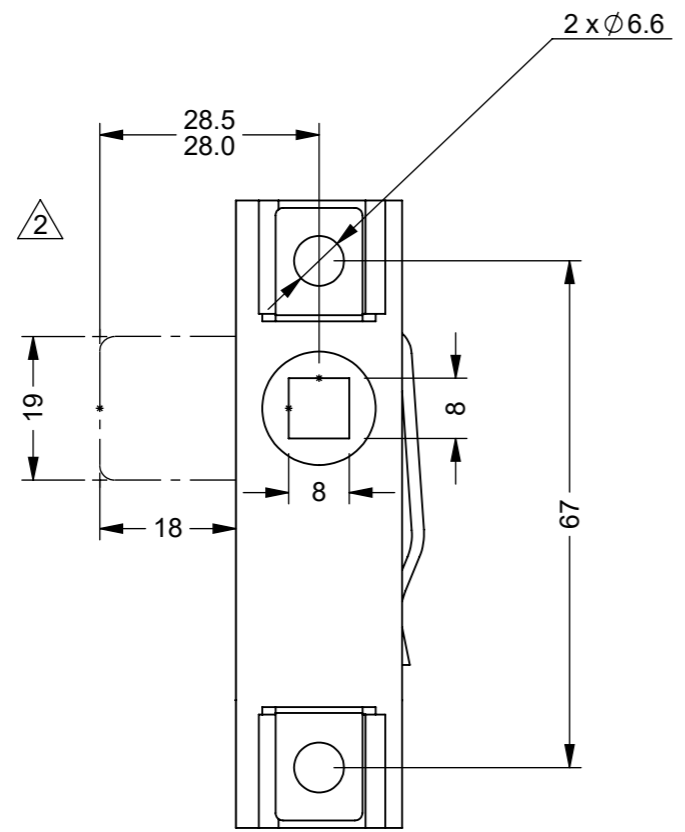
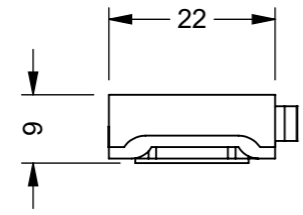


IF IN DOUBT ASK

ITEM NO.	PART NUMBER	DESCRIPTION	QTY.
2	0754-002-1	ZINC PLATED MILD STEEL BASE	1
4	0754-002-2	ZINC PLATED MILD STEEL BODY	1
6	0754-002-4	ZINC PLATED MILD STEEL TONGUE	1
8	0754-002-6	ZINC PLATED MILD STEEL SQUARE DRIVE INSERT	1
10	0754-002-3	ZINC PLATED MILD STEEL RETAINING BRACKET	1



C7	2	ECR 05 - TONGUE SKETCH AND DIMENSIONS ADDED	25/05/2023	U.F
	1	VALIDATION COMPLETE	20/05/2019	A.P
ZONE	REV.	DESCRIPTION	DATE	APPROVED

REVISIONS

UNLESS OTHERWISE STATED, ALL DIMENSIONS IN mm

TOLERANCES		SURFACE FINISH 1.6µm Ra	
0.5 - 6	= ±0.1mm	FILLET RADII	0.5 TO 1.0
6 - 30	= ±0.2 mm	SQUARENESS	0.05 IN 25
30 - 120	= ±0.3 mm	PARALLELISM	0.05 IN 25
120 - 400	= ±0.5 mm	RUNOUT	0.1
400 - 1000	= ±0.8 mm	ANGLES	±0.5°
1000 - 2000	= ±1.2 mm		
2000 - 4000	= ±2.0 mm		

MATERIAL: SEE TABLE	DRAWN BY: UF	DESCRIPTION: LH BUDGET LOCK - PRESSED STEEL TONGUE			A3
MASS: 0.06	CHECKED BY: A.P	NUMBER: 0754-002	REVISION: 2	SHEET: 1 of 1	
FINISH: SEE TABLE	APPROVED BY: A.P	ORIGINATION DATE: 25/05/2023	SCALE : PROPORTIONAL - DO NOT SCALE REF SCALE 1:1 WHEN PRINTED ON A3		

PROPRIETARY RIGHTS ARE INCLUDED IN THE INFORMATION DISCLOSED HEREIN. NEITHER THIS DOCUMENT NOR ANY INFORMATION DISCLOSED SHALL BE REPRODUCED, USED, TRANSFERRED TO OTHER DOCUMENTS, OR DISCLOSED TO OTHERS FOR ANY PURPOSE INCLUDING MANUFACTURING UNLESS SPECIFICALLY AUTHORISED IN WRITING
REMOVE ALL SHARP EDGES AND BURRS
PART FINISHING AND MARKING TO CESF001

