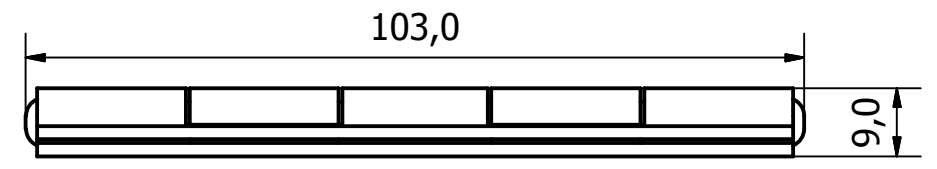
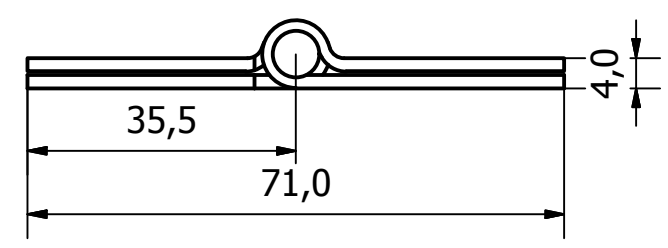
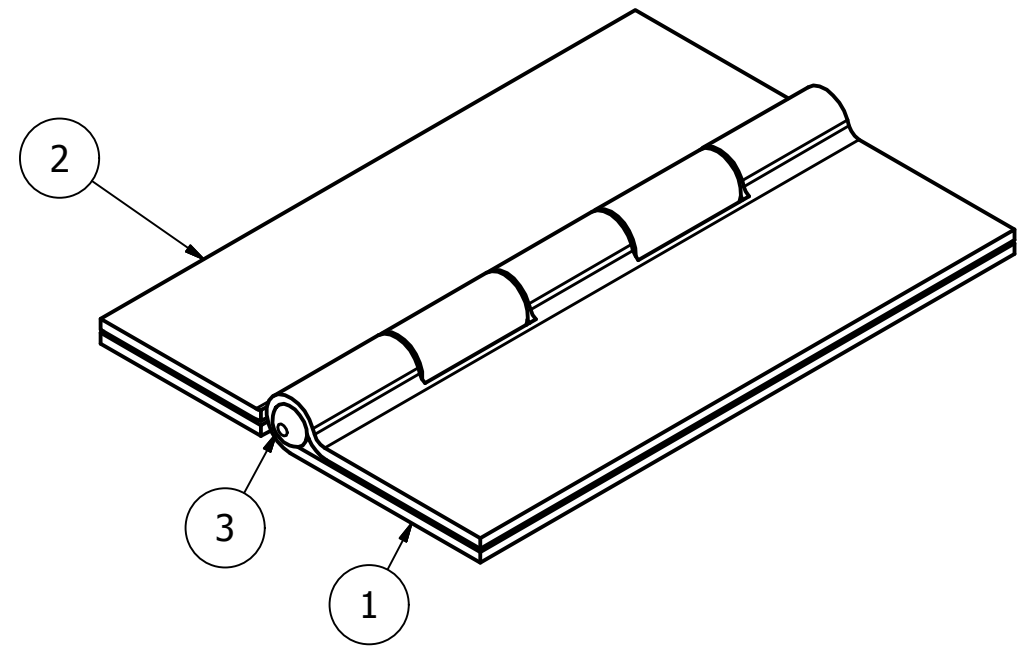
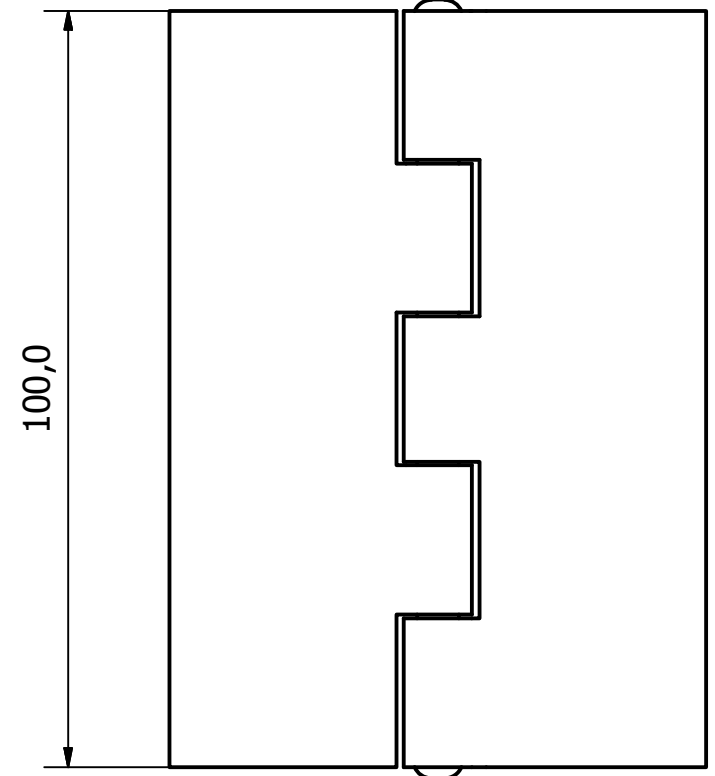


PARTS LIST			
ITEM	QTY	PART NUMBER	DESCRIPTION
1	1	0762-002-1	M/STEEL MAIN HINGE FLAP
2	1	0762-002-2	M/STEEL MOUNTING HINGE FLAP
3	1	0762-002-3	M/STEEL HINGE PIN - 103 O/A



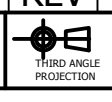
GENERAL TOLERANCES ON LENGTHS	
0.5 - 6 ± 0.1mm	
6 - 30 ± 0.2mm	
30 - 120 ± 0.3mm	
120 - 400 ± 0.5mm	
400 - 1000 ± 0.8mm	
1000 - 1200 ± 1.2mm	
2000 - 4000 ± 2.0mm	

ALBERT JAGGER LTD
 GREEN LANE
 WALSALL PHONE: 01922 471000
 WEST MIDLANDS FAX: 01922 648021
 WS2 8HG

THIS DRAWING & THE DESIGN SHOWN
 ARE THE PROPERTY OF ALBERT JAGGER LTD
 AND MUST NOT BE USED OR COPIED BY A
 THIRD PARTY WITHOUT PERMISSION

DRAWN BY
U.F

CHECKED BY
A.P



SCALE
1 : 1

MATERIAL
-

MASS
0.217 kg

FINISH
NATURAL

Date
02/11/2016

ALL DIMS IN MM
UNLESS STATED
DO NOT SCALE

A3



1	VALIDATION COMPLETE	07/12/16	A.P
REV	DESCRIPTION	DATE	APPROVED
	DOUBLE PRESSED BUTT HINGE		
	0762-002	Edition 1	Sheet 1 / 1