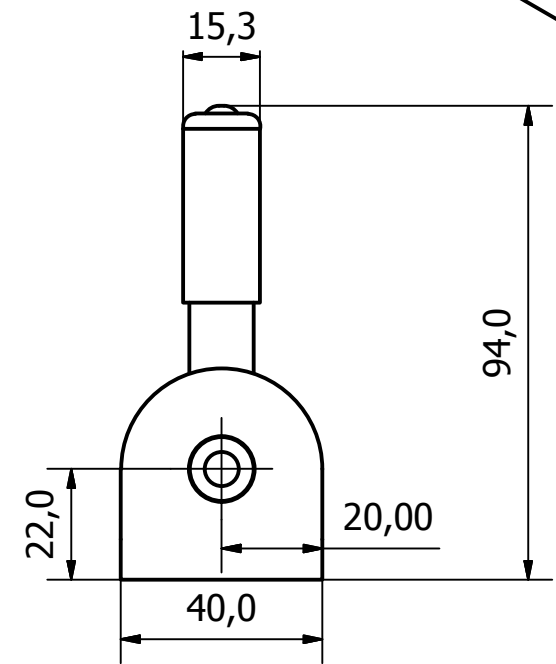
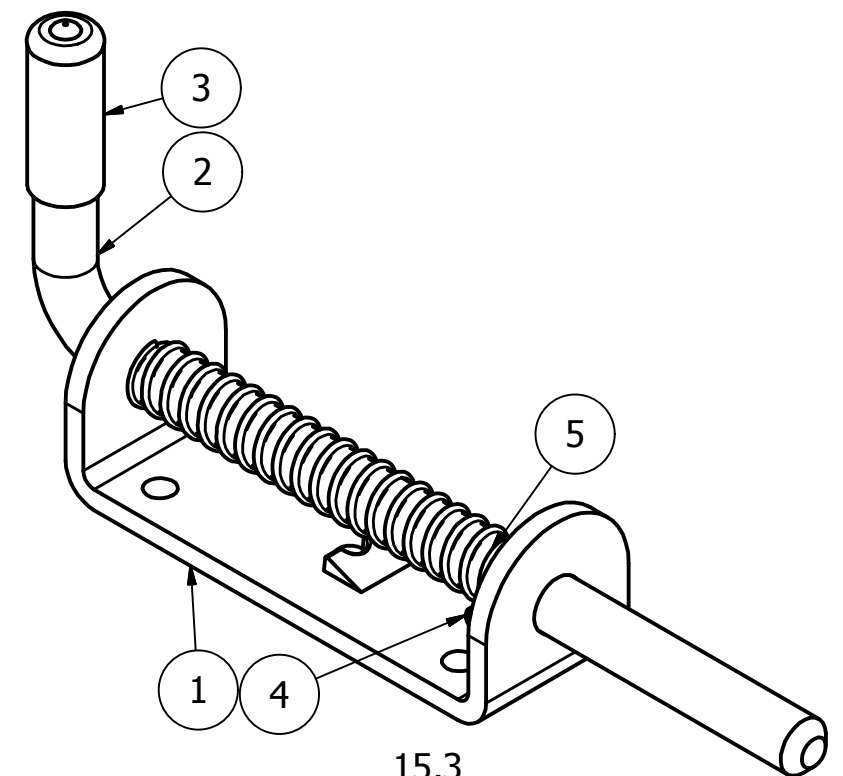


PARTS LIST			
ITEM	QTY	PART NUMBER	DESCRIPTION
1	1	0841-001-1	M/STEEL SPRING BOLT BASE PLATE
2	1	0841-001-2	M/STEEL 90 DEG BOLT - 216.35 O/A
3	1	0841-001-3	RED PLASTIC CAP
4	1	0841-001-4	M/STEEL BOLT PIN - 31.5 O/A
5	1	0841-001-5	M/STEEL SPRING



1	VALIDATION COMPLETE	07/12/16	A.P
REV	DESCRIPTION	DATE	APPROVED

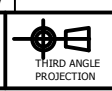
GENERAL TOLERANCES ON LENGTHS	
0.5 - 6 ± 0.1mm	
6 - 30 ± 0.2mm	
30 - 120 ± 0.3mm	
120 - 400 ± 0.5mm	
400 - 1000 ± 0.8mm	
1000 - 1200 ± 1.2mm	
2000 - 4000 ± 2.0mm	

ALBERT JAGGER LTD
 GREEN LANE
 WALSALL PHONE: 01922 471000
 WEST MIDLANDS FAX: 01922 648021
 WS2 8HG

THIS DRAWING & THE DESIGN SHOWN ARE THE PROPERTY OF ALBERT JAGGER LTD AND MUST NOT BE USED OR COPIED BY A THIRD PARTY WITHOUT PERMISSION

DRAWN BY
U.F

CHECKED BY
A.P



SCALE
1:1.5

MATERIAL
-

MASS
0.548 kg

FINISH
Z/C PASSIVATE

Date
24/11/2016

ALL DIMS IN MM UNLESS STATED DO NOT SCALE

A3



1/2" SPRING BOLT ASSEMBLY

0841-001

Edition	Sheet
1	1 / 1