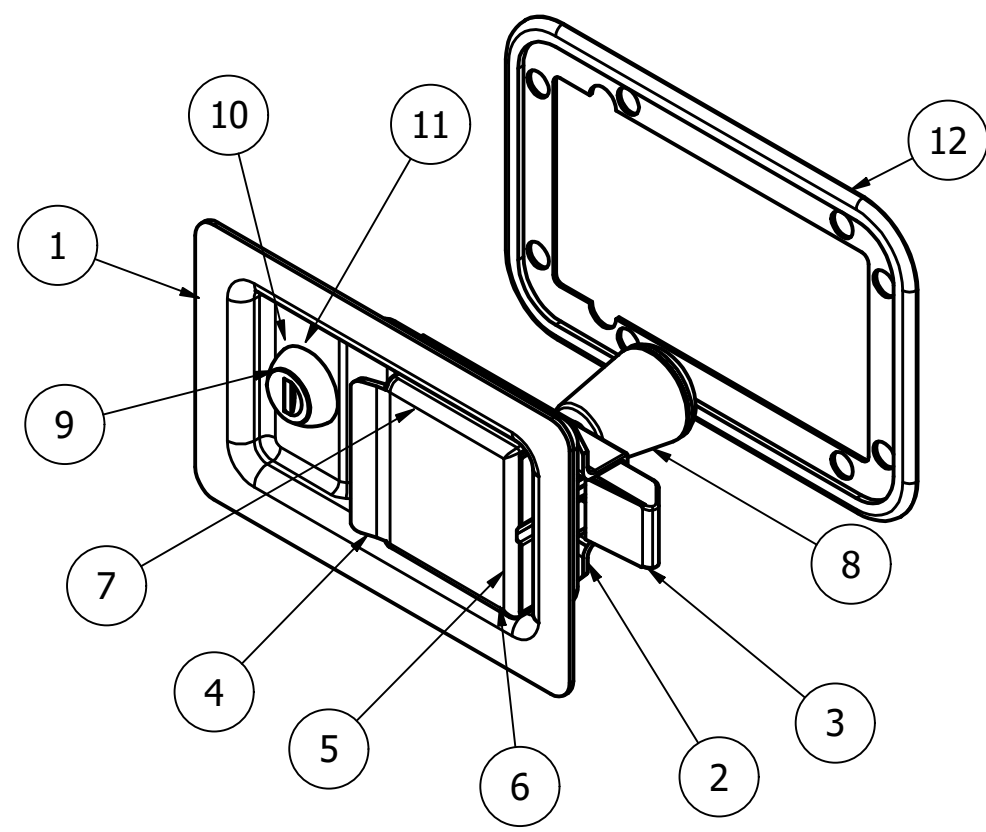


PARTS LIST			
ITEM	QTY	PART NUMBER	DESCRIPTION
1	1	0907-514-1	M/STEEL-PRESSED PAN - Z/C PASSIVATE- BLACK
2	1	0907-514-2	M/STEEL- PRESSED TONGUE HOLDER- Z/C PASSIVATE-BLACK
3	1	0907-014-5	M/STEEL-ZINC PLATED PRESSED TONGUE-Z/C PASSIVATE
4	1	0907-014-4	S/STEEL- ZINC PLATE PRESSED PADDLE HANDLE-Z/C PASSIVATE
5	1	0907-005-4	M/STEEL-ZINC PLATED RIVIT Z/C PASSIVATE
6	1	0907-005-6	M/STEEL- RIVIT NUT
7	1	0907-005-7	STEEL SPRING
8	1	0907-014-6	PVC-UNPLASTICIZED - HANDLE
9	1	0907-011-2	M/STEEL- ZINC PLATED - LOCK BARRLE -Z/C PASSIVATE
10	1	0907-011-5	WASHER
11	1	0907-011-4	BOLT NUT
12	1	0907-514-3	BLACK PLASTIC GASKET



1	VALIDATION COMPLETE	02/08/2021	C.H
REV	DESCRIPTION	DATE	APPROVED

GENERAL TOLERANCES ON LENGTHS

0.5 - 6 ± 0.1mm
6 - 30 ± 0.2mm
30 - 120 ± 0.3mm
120 - 400 ± 0.5mm
400 - 1000 ± 0.8mm
1000 - 2000 ± 1.2mm
2000 - 4000 ± 2.0mm

ALBERT JAGGER LTD
 GREEN LANE
 WALSALL PHONE: 01922 471000
 WEST MIDLANDS FAX: 01922 648021
 WS2 8HG

THIS DRAWING & THE DESIGN SHOWN ARE THE PROPERTY OF ALBERT JAGGER LTD AND MUST NOT BE USED OR COPIED BY A THIRD PARTY WITHOUT PERMISSION

DRAWN BY S.R	CHECKED BY C.H	SCALE 1 : 2	MATERIAL SEE TABLE	MASS N/A	FINISH SEE TABLE	Date 28/07/2021	ALL DIMS IN MM UNLESS STATED DO NOT SCALE	A3
							PADDLE LOCK - SMALL 0907 SERIES - BLACK/STAINLESS/PRESSED TONGUE	
							0907-514	Edition 1