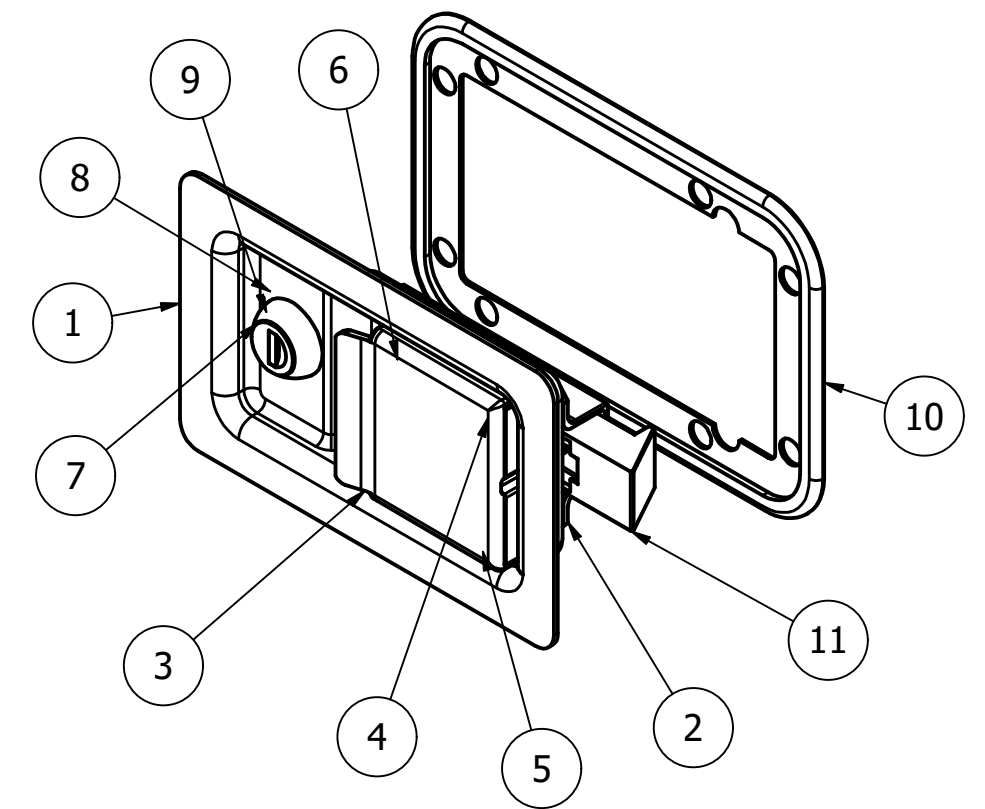


| PARTS LIST | | | |
|------------|-----|-------------|--|
| ITEM | QTY | PART NUMBER | DESCRIPTION |
| 1 | 1 | 0907-518-1 | M/STEEL-PRESSED PAN-BLACK-Z/C PASSIVATE |
| 2 | 1 | 0907-518-2 | M/STEEL-PRESSED TONGUE HOLDER -BLACK-Z/C PASSIVATE |
| 3 | 1 | 0907-518-4 | S/STEEL-PRESSED PADDLE HANDLE - Z/C PASSIVATE |
| 4 | 1 | 0907-518-3 | M/STEEL-ZINC PLATED RIVIT-Z/C PASSIVATE |
| 5 | 1 | 0907-518-5 | M/STEEL-RIVIT NUT |
| 6 | 1 | 0907-005-7 | STEEL SPRING |
| 7 | 1 | 0907-011-2 | M/STEEL- ZINC PLATED LOCK BARREL-Z/C PASSIVATE |
| 8 | 1 | 0907-011-5 | LOCK BARREL-WASHER |
| 9 | 1 | 0907-011-4 | LOCK BARREL- NUT |
| 10 | 1 | 0907-005-9 | BLACK PLASTIC GASKET |
| 11 | 1 | 0907-019-1 | SOLID STEEL TONGUE-BLACK-Z/C PASSIVATE |



| | | | |
|----------|---------------------|--|-------------|
| 1 | VALIDATION COMPLETE | 04/08/2021 | C.H |
| REV | DESCRIPTION | DATE | APPROVED |
| S.R | C.H | 30/07/2021 | A3 |
| | | PADDLE LOCK - SMALL 0907 SERIES - BLACK/STAINLESS/SOLID TONGUE | |
| 0907-518 | | Edition 1 | Sheet 1 / 1 |

GENERAL TOLERANCES ON LENGTHS

0.5 - 6 ± 0.1mm
6 - 30 ± 0.2mm
30 - 120 ± 0.3mm
120 - 400 ± 0.5mm
400 - 1000 ± 0.8mm
1000 - 2000 ± 1.2mm
2000 - 4000 ± 2.0mm

ALBERT JAGGER LTD
GREEN LANE
WALSALL WEST MIDLANDS WS2 8HG
PHONE: 01922 471000
FAX: 01922 648021

THIS DRAWING & THE DESIGN SHOWN ARE THE PROPERTY OF ALBERT JAGGER LTD AND MUST NOT BE USED OR COPIED BY A THIRD PARTY WITHOUT PERMISSION

DRAWN BY S.R
CHECKED BY C.H
SCALE 1:2
MATERIAL SEE TABLE
MASS 0.518 kg
FINISH SEE TABLE
Date 30/07/2021
THIRD ANGLE PROJECTION