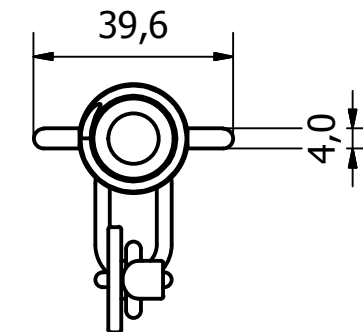
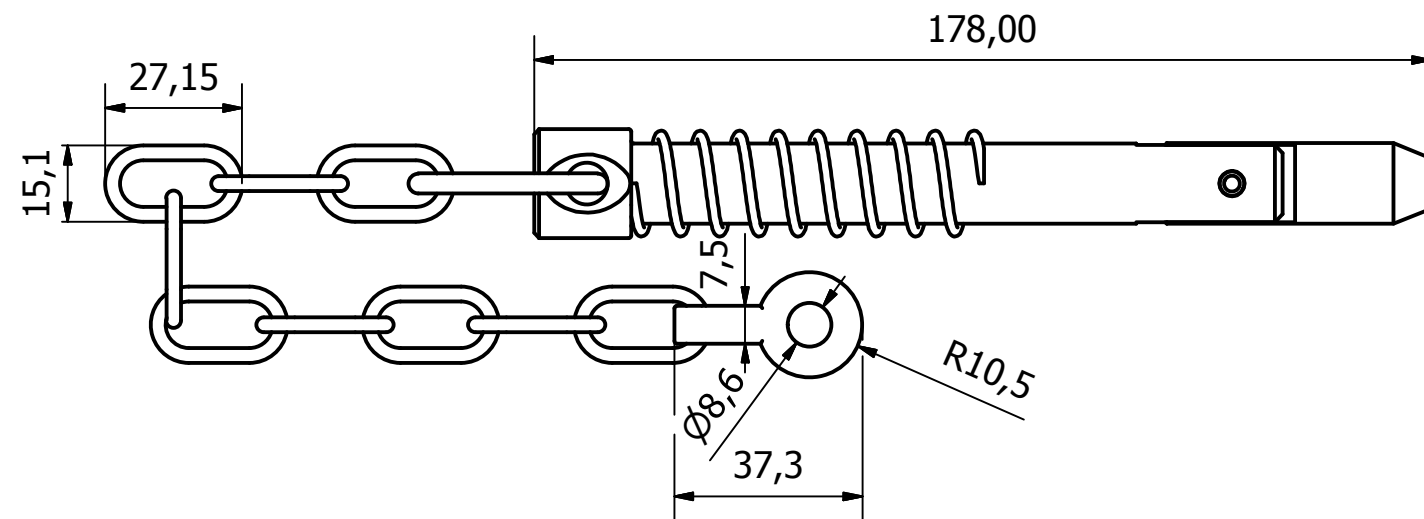
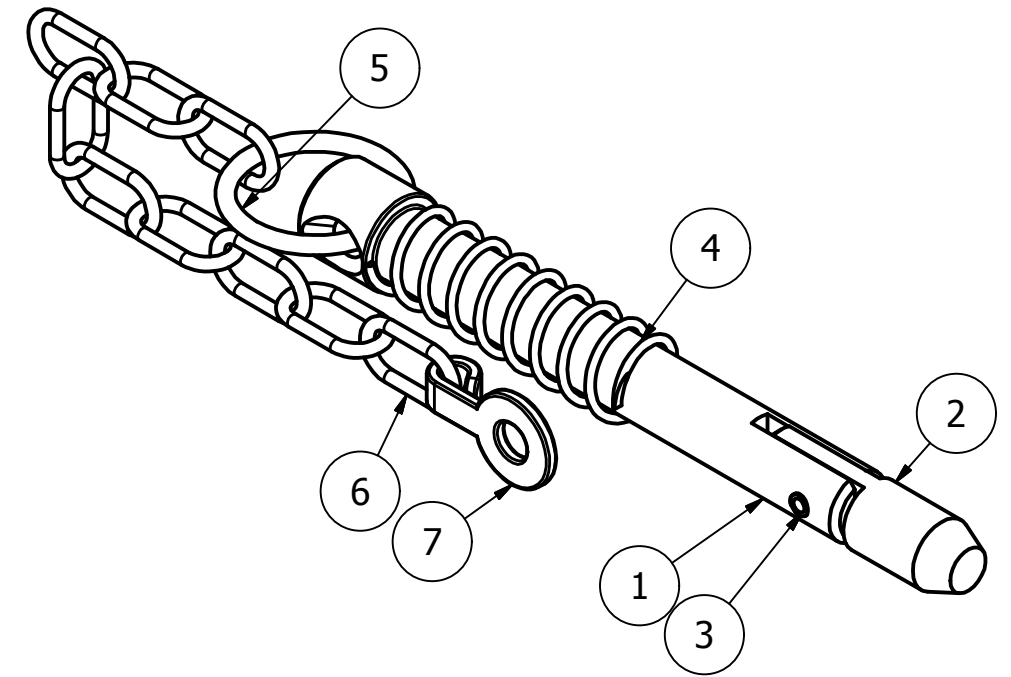
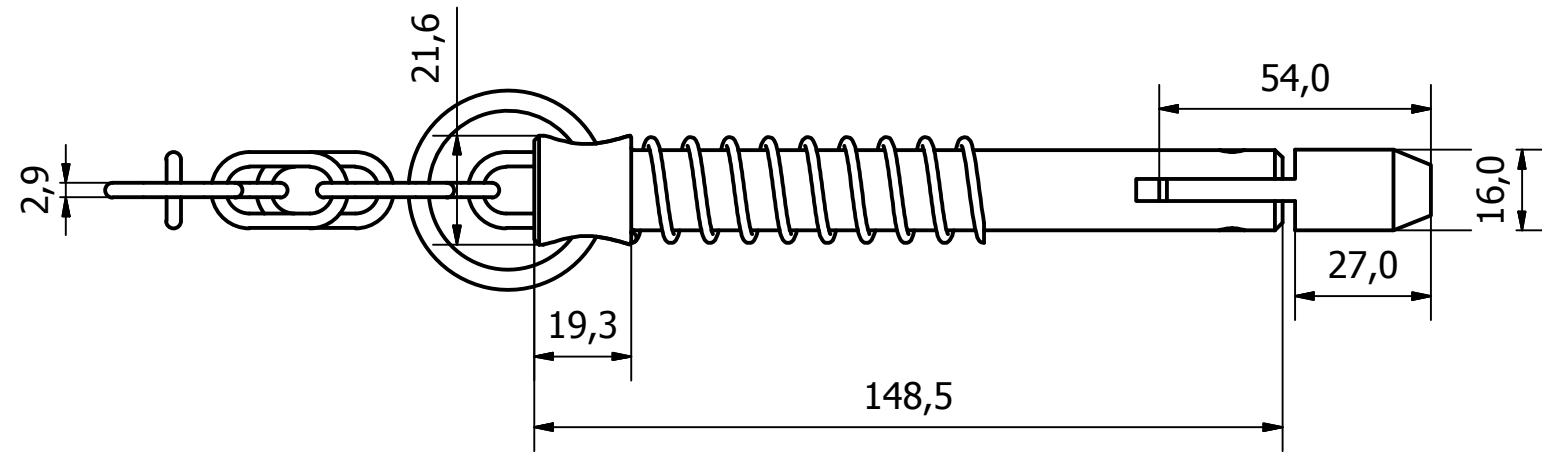


PARTS LIST			
ITEM	QTY	PART NUMBER	DESCRIPTION
1	1	1055-4100-1	M/STEEL PIN BODY - ZINC AND CLEAR PASSIVATED
2	1	1055-4100-2	S/STEEL TIP - NATURAL
3	1	1055-4100-3	M/STEEL TIP RETAINING PIN - ZINC AND CLEAR PASSIVATED
4	1	1055-4100-4	M/STEEL COIL SPRING - ZINC AND CLEAR PASSIVATED
5	1	1055-4100-5	M/STEEL CHAIN RING - ZINC AND CLEAR PASSIVATED
6	9	1055-4100-6	M/STEEL CHAIN LINK - ZINC AND CLEAR PASSIVATED
7	1	1055-3080-7	M/STEEL DARLASTON WASHER - ZINC AND CLEAR PASSIVATED



1	VALIDATION COMPLETE	19/10/17	A.P
REV	DESCRIPTION	DATE	APPROVED

GENERAL TOLERANCES ON LENGTHS
0.5 - 6 ± 0.1mm
6 - 30 ± 0.2mm
30 - 120 ± 0.3mm
120 - 400 ± 0.5mm
400 - 1000 ± 0.8mm
1000 - 2000 ± 1.2mm
2000 - 4000 ± 2.0mm

ALBERT JAGGER LTD
 GREEN LANE
 WALSALL PHONE: 01922 471000
 WEST MIDLANDS FAX: 01922 648021
 WS2 8HG

THIS DRAWING & THE DESIGN SHOWN
 ARE THE PROPERTY OF ALBERT JAGGER LTD
 AND MUST NOT BE USED OR COPIED BY A
 THIRD PARTY WITHOUT PERMISSION

DRAWN BY
 U.F

CHECKED BY
 A.P

THIRD ANGLE PROJECTION

SCALE
 1:1.5

MATERIAL
 SEE TABLE

MASS
 0.346 kg

FINISH
 SEE TABLE

Date
 05/10/2017

ALL DIMS IN MM UNLESS STATED DO NOT SCALE

A3



M/STEEL SWORD PIN - 178 O/A	
1055-4100	Edition 1 / Sheet 1 / 1